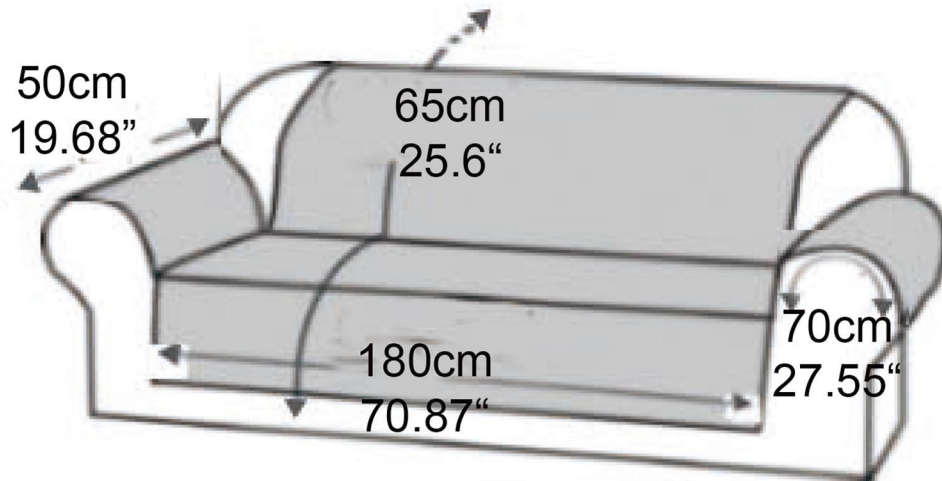
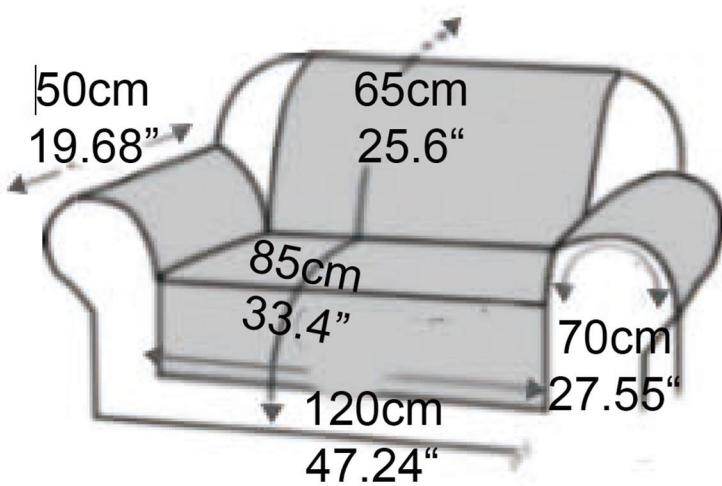


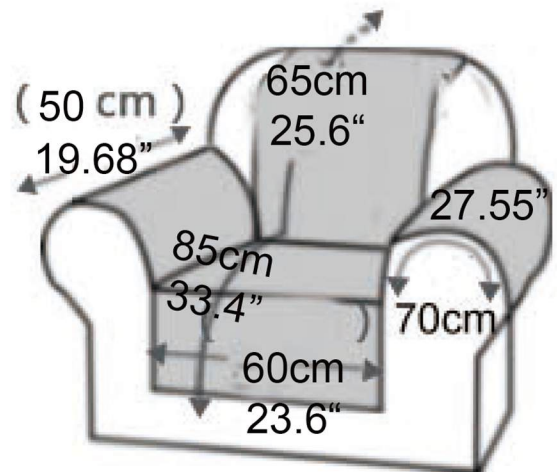
# MEASURING GUIDE



## THREE SEATER



## TWO SEATER



## ARM CHAIR

### Dimension:

- (1 Seater) Full size: D150cm x W200cm (Sitting area width 60cm)
- (2 Seater) Full size: D150cm x W260cm (Sitting area width 120cm)
- (3 Seater) Full size: D150cm x W360cm (Sitting area width 180cm)
- (Recliner chair) Full size: D200cm x W200cm (Sitting area width 60cm)