



Stand Assist Frame



Thank you for purchasing our Stand Assist Frame that will help you regain your independence and assurance.

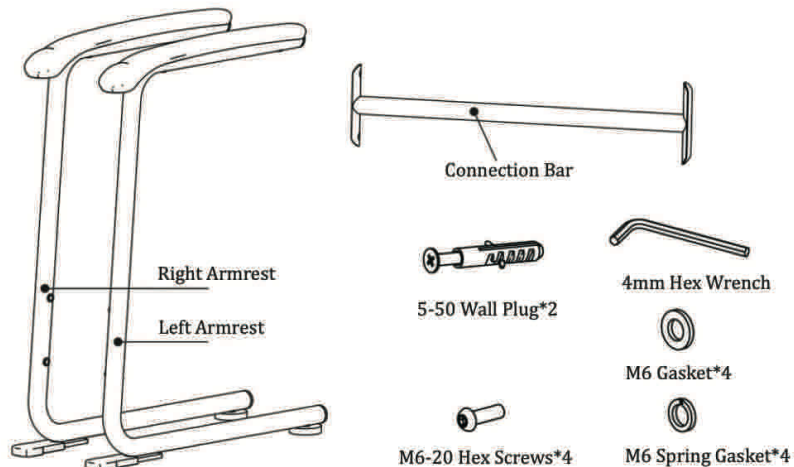
We hope you will be happy with your purchase.

Features:

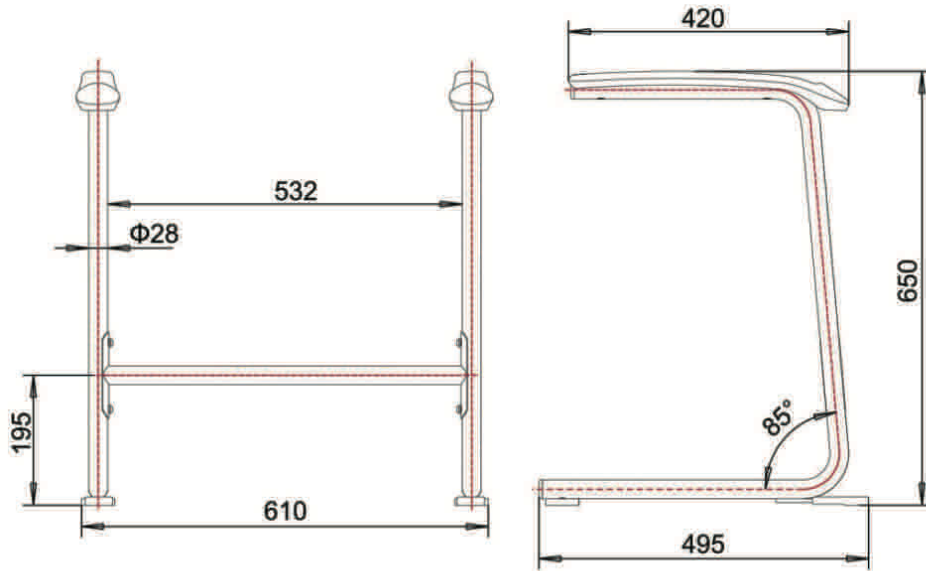
- Non-Slip pads
- Comfort Handles
- Sturdy Frame
- Portable
- Offers reliable support
- Simple to assemble

What's Included:

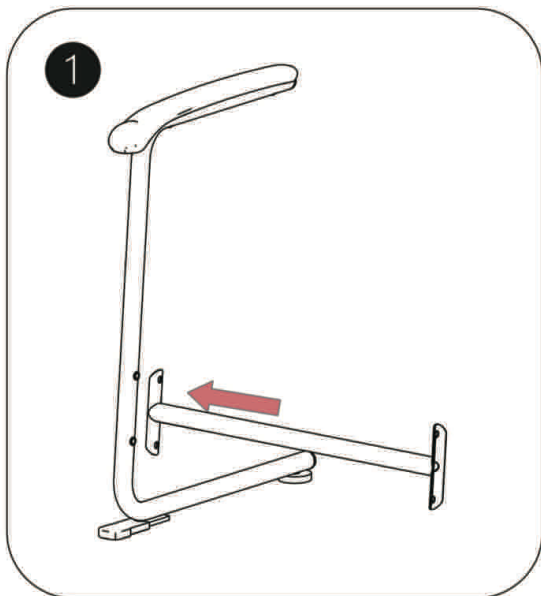
PACKAGE CONTENTS



PRODUCT DIMENSIONS



INSTALLATION STEPS



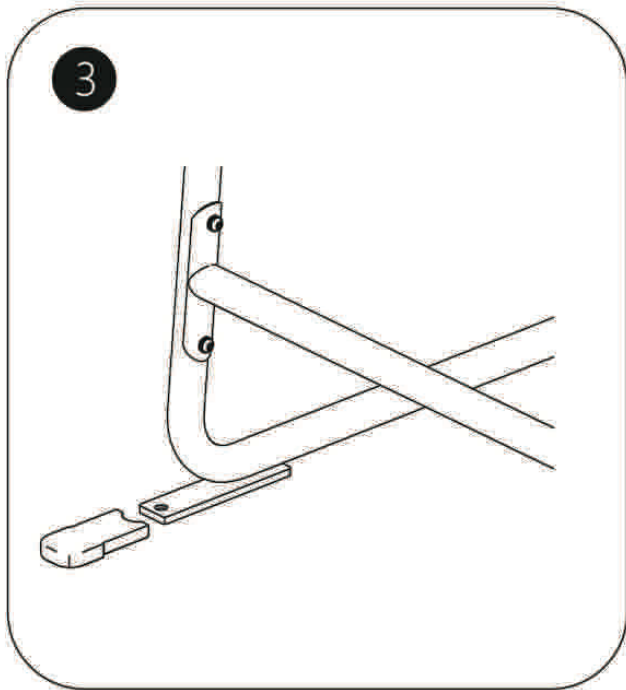
1. Align the connection bar with the holes on the armrest.



2. Use M6-20 hex screws with the gasket and spring gasket to screw in. Tighten the screws with the hex wrench (provided)

NOTE: In case the floor on which you are placing the Stair Assist Frame is not even and the product needs to be levelled, use the black back legs to adjust to position

Should you wish to permanently install the Stand Assist Frame, follow Step 3 of the Installation Step below:



After Installation

Please ensure all hex screws have been securely tightened

If you are over 150kg, it is not recommended to put your whole weight on the Stair Assist Frame

