

1300W ELECTRIC LAWN MOWER

Instructions for Use

R016 / 739570

v001: 16/10/25

Please read and retain these instructions for future reference.



Specification:

MODEL	R016
Rated Voltage/Frequency	230-240V A.C., 50Hz
Power	1300W
Sound Pressure Level	LpA =80.7dB(A), K=3.0dB(A)
Sound Power Level	LwA= 92.4dB(A), K=3.0dB(A)
Maximum Vibration	2.6 m/s ² , K=1.5m/s ²
Width Of Cut	320mm
Height Of Cut	25/40/55mm
No-Load Speed	3500r/min
Degree Of Protection	IPX4
Grass Collector Capacity	30L
Weight	9.3kg approx..
Mains Cord Length	10m

Accessories:

- Wrench x1
- Screws x2
- Nut and Knob x2
- Washer x2

Use: This item requires two hands to use safely. The Lawn mower is intended to be used only for mowing domestic lawns. The Lawn mower has been designed for use only in private gardens and is not suitable for use in public grounds, parks, sports fields or for agricultural or forestry purposes. Only mow the lawn when the grass is relatively dry.

Please read this instruction manual thoroughly before starting and ensure you are familiar with the operation of your new electric lawn mower.

RECOMMENDED FOR PERSONS OVER 18 YEARS OF AGE.

ALWAYS USE HEAD, EYE AND EAR PROTECTION EQUIPMENT AND SAFETY SHOES AND HAND GLOVES



Warning! Please read these operating instructions carefully and observe the notes given. Use these operating instructions to familiarise yourself with the electric lawn mower, its proper use and the notes on safety.








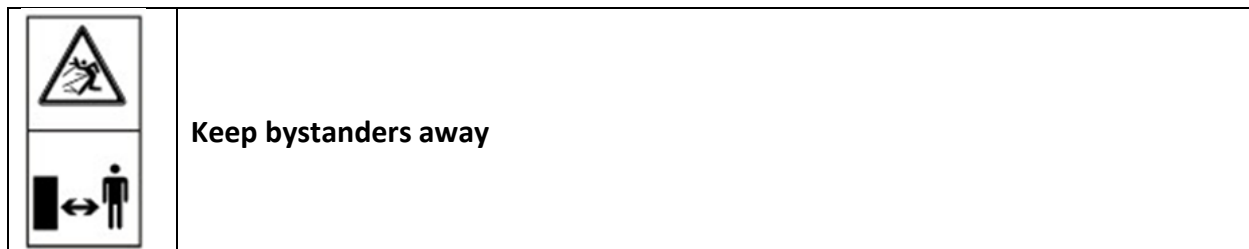
For safety reasons, children under the age of 18 and people not familiar with these operating instructions must not use this electric lawn mower. Persons with reduced physical or mental abilities may use the electric lawn mower only if they are supervised or instructed by a responsible person.



If not used properly this product can be dangerous. The warnings and safety instructions must be followed to ensure reasonable safety and efficiency in using this product.

Explanation of Warnings and Symbols on your product.

	WARNING!
	Read the user instructions carefully to make sure you understand all the controls and what they do.
  	Beware of sharp blades-remove plug from mains before maintenance or if cord is damaged. Keep supply flexible cord away from cutting blades
	Do not expose to rain. Do not leave the product outdoors while it is raining.
	Wear safety goggles; Wear ear protectors
	Double insulation
 	Keep the extension power cable behind and well away from the front of the lawn mower.



Safety Instructions

WARNING

Read and understand all instructions. Save these instructions. Failure to follow all instructions listed below may result in electric shock, fire and/or serious injury. The term 'power tool' in all of the warnings below refers to your mains-operated (corded) power tool.

Intended Use and Reasonably Foreseeable Misuse:

The Lawn mower is intended to be used only for mowing domestic lawns. The Lawn mower has been designed for use only in private gardens and is not suitable for use in public grounds, parks, sports fields or for agricultural or forestry purposes. Only mow the lawn when the grass is relatively dry.

Any other use of the lawn mower is considered inappropriate use. The manufacturer shall not be liable for any damage or injury resulting from misuse.

Only the manufacturer's approved replacement parts and blades are to be used on the machine.

Structural modifications or use of components not approved by the manufacturer will void the warranty and absolve the manufacturer of any liability.

Even with the intended use of the lawn mower there is always a residual risk, which cannot be eliminated.

According to the type and construction of the lawn mower the following potential hazards might apply:

- Ejection of stones etc. from the cutting area (Cutting / injection hazards)
- Injury from the exposed blade during maintenance (Cutting hazard)
- Electric shock on contact with non-insulated electric components,
- Loss of hearing If suitable ear protection is not worn

Warning: The actual level of vibration while using the lawn mower may differ from the level specified in this manual by the manufacturer. The following factors may affect actual level of vibration:

- correct use of the lawn mower
- proper maintenance of the lawn mower
- selected height of cut
- sharpness and balance of blade

Make a work plan so that your exposure to vibration can be limited.

If you experience an unpleasant sensation or skin discoloration while using the lawn mower, immediately stop working. Take sufficient work breaks to prevent hand-arm vibration syndrome.

Maintain the machine in accordance with the instructions in the manual.

Do not use of the lawn mower at temperatures below 10 °C.

1. Training

- Read the instructions carefully. Be familiar with the controls and the correct use of the machine.
- Never allow children or people unfamiliar with these instructions to use the machine. Local regulations can restrict the age of the operator.
- Never operate the machine while people, especially children, or pets are nearby.
- Keep in mind that the operator or user is responsible for accidents or hazards occurring to other people or their property.

2. Preparation

- While operating the machine always wear substantial footwear and long trousers. Do not operate the machine when barefoot or wearing open sandals. Avoid wearing clothing that is loose fitting or that has hanging cords or ties.
- Thoroughly inspect the area where the machine is to be used and remove all objects which can be thrown by the machine.

- Before using, always visually inspect the machine to see that the blade, blade bolt and the blade assembly are not worn or damaged. Replace worn or damaged components in sets to preserve balance. Replace damaged or unreadable labels.

- Before use check the supply and extension cord for signs of damage or aging. If the cord becomes damaged during use, disconnect the cord from the supply immediately.

DO NOT TOUCH THE CORD BEFORE DISCONNECTING THE SUPPLY.

Do not use the machine if the cord is damaged or worn.

3. Operation

- Operate the machine only in daylight or in good artificial light.
- Avoid operating the lawn mower in wet grass.
- Always be sure of your footing on slopes.
- Walk, never run.
- Mow across the face of slopes, never up and down.
- Exercise extreme caution when changing direction on slopes.
- Do not mow excessively steep slopes.
- Use extreme caution when reversing or pulling the appliance toward you.
- Stop the blade(s) if the machine has to be tilted for transportation, when crossing surfaces other than grass, and when transporting the machine to and from the area to be used.
- Never operate the machine with defective guards or shields, or without safety devices, for example deflectors and/or the grass collector, in place.
- Switch on the motor carefully according to instructions and with feet well away from the blade(s).
- Do not tilt the machine when switching on the motor.
- Do not start the machine when standing in front of the discharge opening.
- Do not put hands or feet near or under rotating parts.

Keep clear of the discharge opening at all times.

- Ensure that the lawn mower is switched off when moving from one work area to another.
- Stop the machine, and remove the plug from the socket. Make sure that all moving parts have come to a complete stop:

- whenever you leave the machine,
- before clearing blockage or unclogging chute,
- before checking, cleaning or working on the machine,
- after striking a foreign object. Inspect the machine for damage and make repairs before restarting and operating the machine,
- If the appliance starts to vibrate abnormally (check immediately).

- If the machine starts to vibrate abnormally:

- immediately inspect for damage,
- replace or repair any damaged parts,
- check for and tighten any loose parts.

4. Maintenance and storage

- Keep all nuts, bolts and screws tight to ensure the machine is in safe working condition.
- Check the grass collector frequently for wear or deterioration.
- During adjustment of the machine be careful to prevent trapping your fingers between moving blades and fixed parts of the machine.
- Always allow the machine to cool down before storing.
- When servicing the blades be aware that, even though the power source is switched off, the blades can still be moved.
- Replace worn or damaged parts for safety. Use only genuine replacement parts and accessories.

WARNING

- This appliance is not intended for use by persons (including children) with reduced physical, sensory or mental capabilities, or lack of experience or knowledge, unless they have been given supervision or instruction concerning use of the appliance by a person responsible for their safety.

Children should be supervised to ensure that they do not play with the appliance.

- This Lawn Mower is designed for the cutting of domestic grass and lawns.

- The Lawn Mower must be fully assembled before connecting to the power supply.
- When using wear robust footwear and suitable outdoor clothing.
- Never put your hands into the underside of the cutting area when the Lawn Mower is turned on.
- Keep the flexible supply power cable (cord) away from the blades.
- Before use check the supply power cable (cord) for signs of damage or ageing.
- Never operate the appliance with damaged guards or without the guards in place.
- Danger! The cutting blade rotates for some time after the motor has been turned off.
- Never start the Lawn Mower when it is lying on its side.
- When operating always adopt a safe stance and hold the Lawn Mower firmly, away from your body keeping hands and feet safely away from the cutting head.
- Thoroughly inspect the area to be mowing, remove all stones, sticks, string, wire and any other objects that could hinder your mowing.
- Always be aware of your footing when mowing on slopes.
- Mow across the face of slopes, never up and down.
- Use extreme caution when changing direction on slopes. Be aware of the cable position.
- Do not mow excessively steep slopes where keeping a good footing is difficult.
- Use extreme caution when reversing or pulling the mower towards you.
- Make sure that the power cable is always behind the Lawn Mower and away from the cutting path of the mower.
- Do not use the Lawn Mower in the rain; never leave the mower out in the rain.
- Avoid mowing wet grass if possible.
- Never pick up or carry the mower while it is switched on.
- Always turn off the mower and wait for the cutting blades to stop rotating before moving from one area to another.
- Always turn off and disconnect from the power supply before attempting any cleaning or maintenance work.
- Make sure that the ventilation openings are kept clear of grass cuttings and debris.
- Before using the Lawn Mower and after any impact, check for signs of wear or damage.
- After use disconnect the power supply, clean off the grass cuttings from the top and underside of the mower head.
- Only use the manufacturer recommended replacement parts and accessories.
- Inspect and maintain the lawnmower regularly and have any repairs required done by an authorized repairer.
- Store in a safe secure place out of the reach of children.

WARNING: Wait until all moving parts are at a complete standstill before touching them.

The cutting blade continues to rotate after the Lawn Mower is switched off, a rotating blade can cause injury.

Electrical Safety

- It is strongly recommended that mains power be supplied to the Lawn Mower through a residual current device (RCD) having a rated residual current rating not exceeding 30mA.
- Where necessary, use a suitable waterproof extension lead no longer than 25 meters.
- Plugs and connectors must be protected from getting wet.
- Turn off and remove the plug from the socket when leaving the Lawn Mower or when attempting to clear any debris or blockage.
- Should the supply cable become damaged in any way turn off the mains power supply at the socket and immediately unplug the cable. When the cable is totally disconnected it can be removed by qualified personnel.
- Do not use in wet conditions. Avoid all contact with water.
- Power tool plugs must match the outlet. Never modify the plug in any way.
- Avoid body contact with earthed or grounded surfaces such as pipes, radiators, ranges and refrigerators. There is an increased risk of electric shock if your body is earthed or grounded.
- Do not abuse the power cable (cord). Never use the power cable for carrying, pulling or unplugging the lawn mower. Keep the power cable away from heat, oil, sharp edges or moving parts. Damaged or entangled power cables increase the risk of electric shock.

- When operating a power tool outdoors, use an outdoor extension power cable suitable for outdoor use. Use of a power cable suitable for outdoor use reduces the risk of electric shock.

Work Area

- Do not operate lawn mower in explosive atmospheres, such as in the presence of flammable liquids, gases, or dust. Power tools create sparks which may ignite the dust or fumes.
- Keep children and bystanders away while operating a lawn mower. Distractions can cause you to lose control.

Personal Safety

- Stay alert, watch what you are doing and use common sense when operating a power tool. Do not use a power tool while you are tired or under the influence of drugs, alcohol, or medication. A moment of inattention while operating power tools may result in serious personal injury.

- Use safety equipment. Always wear eye protection.

Safety equipment such as a dust mask, non-skid safety shoes, hard hat, or hearing protection used for appropriate conditions will reduce personal injuries.

- Avoid accidental starting. Ensure the switch is in the off-position before plugging in.
- Carrying power tools with your finger on the switch or plugging in power tools that have the switch on invites accidents.
- Remove any adjusting key or wrench before turning the tool on. A wrench or a key that is left attached to a rotating part of the power tool may result in personal injury.
- Do not overreach. Keep proper footing and balance at all times. This enables better control of the power tool in unexpected situations.
- Dress properly. Do not wear loose clothing or jewellery. Keep your hair, clothing and gloves away from moving parts. Loose clothes, jewellery or long hair can be caught in moving parts.

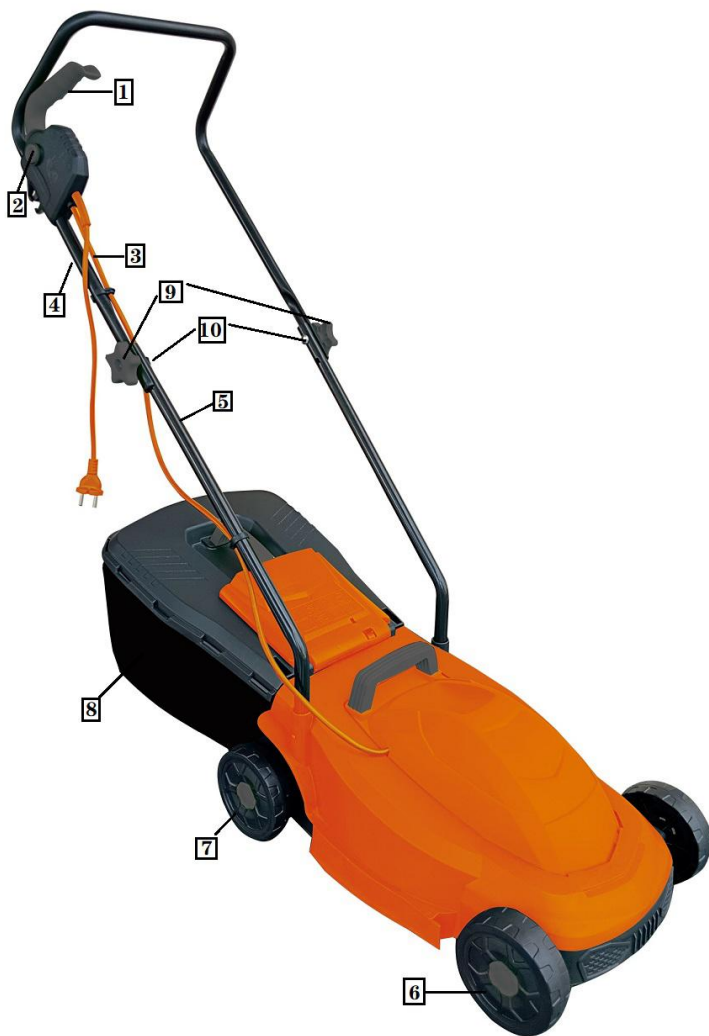
Power Tool Use and Care

- Do not force the power tool. Use the correct power tool for your application. The correct power tool will do the job better and safer at the rate for which it was designed.
 - Do not use the power tool if the switch does not turn it on and off. Any power tool that cannot be controlled with the switch is dangerous and must be repaired.
- Disconnect the plug from the power source before making any adjustments, changing accessories, or storing power tools. Such preventive safety measure reduce the risk of starting the power tool accidentally.
- Maintain power tools. Check for misalignment or binding of moving parts, breakage of parts and any other condition that may affect the power tool's operation. If damaged, have the power tool repaired before use. Many accidents are caused by poorly maintained power tools.
- Keep cutting tools sharp and clean. Properly maintained cutting tools with sharp cutting edges are less likely to bind and are easier to control.
- Use the power tool, accessories and tool bits etc., in accordance with these instructions and in the manner intended for the particular type of power tool, taking into account the working conditions and the work to be performed. Use of the power tool for operations different from intended could result in a hazardous situation.

Service

Have your power tool serviced by a qualified repair technician using only identical replacement parts. This will ensure that the safety of the power tool is maintained.

Description



1. Switch box handle
 2. Start button
 3. Motor control cable
 4. Upper handle
 5. Lower handle
 6. Front wheel
 7. Rear wheel
 8. Grass box
 9. Securing knob
 10. Nuts
- (not shown in this illustration:)
11. Grass box handle – see Fig. 3
 12. Slots }
13. Rear door }see Fig. 4
 14. Rear discharge opening }
15. Door rod }
 16. Hooks
 17. Cord retainer
 18. Blade
 19. Blade nut
 20. Washer – see Fig. 2
 21. Front axle }
22. Rear axle } see Fig. 5
 23. Block of wood (not included) }
 24. Wrench (not included) } Fig. 10
 25. Spacer }

KNOW YOUR LAWN MOWER

The safe use of the product requires an understanding of the information on the tool and in this operator's manual as well as a knowledge of the project you are attempting.

Before use of this product, familiarize yourself with all operating features and safety rules.

GRASS BOX

The grass box collects grass clippings and prevents them from being discharged across your lawn as you mow.

HEIGHT ADJUSTMENT

The height adjustment provides cutting height adjustments.

MOTOR CONTROL CABLE

The motor control cable, located on the upper handle of the mower, engages and disengages the motor and blade.

Assembly

UNPACKING

This product requires assembly.

Carefully remove the product and any accessories from the box. Make sure that all items listed in the packing list are included.

 **Warning**

Do not use this product if any parts on the packing list are already assembled to your product when you unpack it.

Parts on this list are not assembled to the product by the manufacturer and require customer installation. Use of a product that may have been improperly assembled could result in serious personal injury.

- Inspect the product carefully to make sure no breakage or damage occurred during shipping.
- Do not discard the packing material until you have carefully inspected and satisfactorily operated the product.
- If any parts are damaged or missing, please call our customer service centre for assistance.

PACKING LIST

- Lawn mower
- Grass box
- Operator's manual

 **Warning**

If any parts are damaged or missing do not operate this product until the parts are replaced. Using a product with damaged or missing parts could result in serious personal injury.

 **Warning**

Do not attempt to modify this product or create accessories not recommended for use with this product. Any such alteration or modification is misuse and could result in a hazardous condition leading to possible serious personal injury.

 **Warning**

To prevent accidental starting that could cause serious personal injury, always disconnect from the power supply when assembling parts.

 **Warning**

Never operate the mower without the proper safety devices in place and working. Never operate the mower with damaged safety devices. Operation of this product with damaged or missing parts could result in serious personal injury.

UNFOLDING AND ADJUSTING HANDLE

(Fig. 2)

- Insert the lower handle bars to the holes on base and align the mounting holes;

Secure the lower handle bars with the screws.

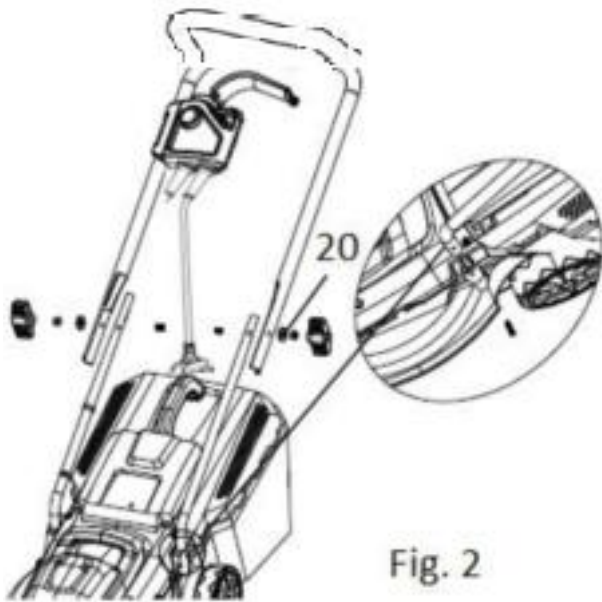


Fig. 2

- Align the mounting holes on the upper handle and the lower handle. (Note: the lower handle has two holes in it, select the most comfortable handle length and height to connect it!) Insert the carriage bolts and use a washer and the butterfly nut as shown to tighten them. Repeat the operation on the other side.

- Make certain the handles snap into place securely.

Grass box assembly

Part 8

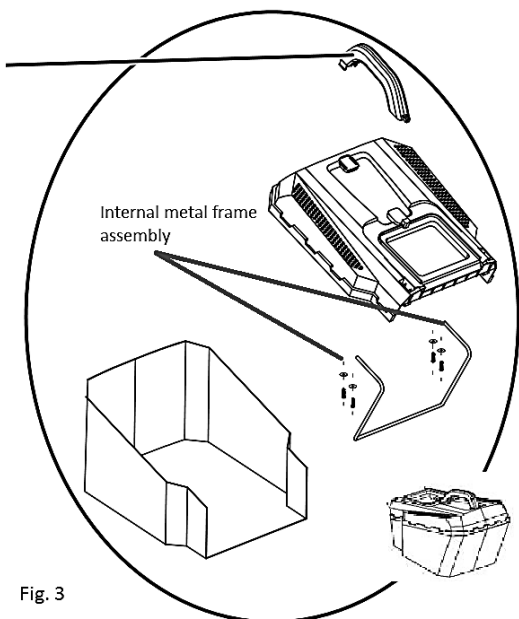


Fig. 3

11. Grass box handle
12. Slots
13. Rear door
14. Rear discharge opening
15. Door rod
16. Hooks

INSTALLING THE GRASSBOX

See Figure 4

- Insert four screws into the washers to fix the bracket in the four separate holes, and then snap the bracket into the groove of the grass box
- Insert the latch of the handle into the grass box and secure it with 2 screws.
- Lift the rear discharge door.
- Lift the grass box by its handle and place under the rear door, so that the hooks on the grass box frame are seated into the slots in the handle bracket.

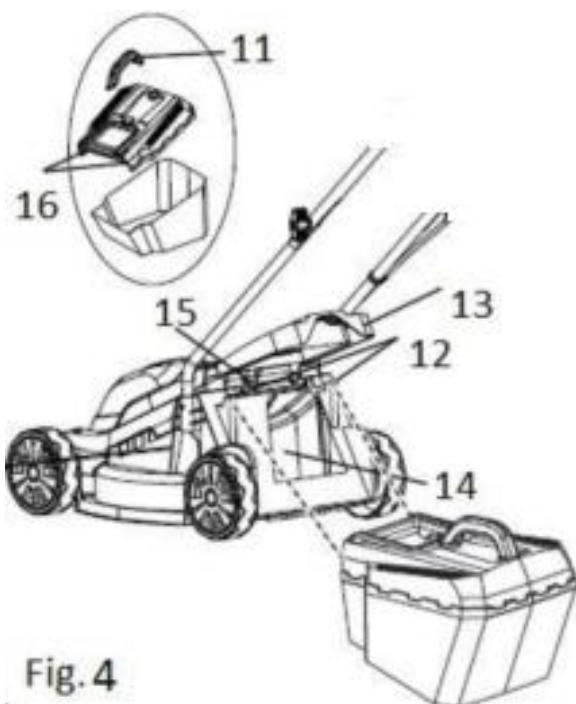
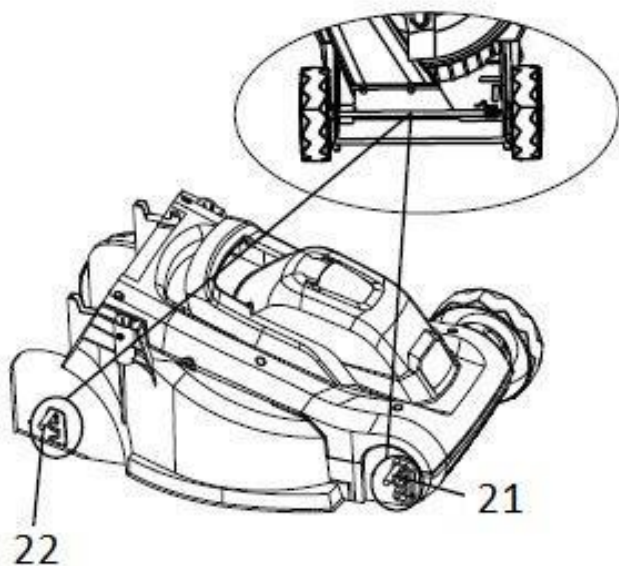


Fig. 4

- Release the rear door. When installed correctly, the hooks on the grass box will rest securely in the slots on the handle brackets.



- 21. Front axle
- 22. Rear axle

**SETTING BLADE HEIGHT
(See Figure 5)**

When shipped, the wheels on the mower are set to a low cutting position. Before using the mower for the first time adjust the cutting position to the height best suited for your lawn. The average lawn should be between 38 mm and 51mm during cool months and between 51 mm and 70mm during hot months.

Fig. 5

To adjust the blade height

- Release the on/off switch and disconnect the product from the power supply before adjusting the cutting height.
- Turn the product over to access the front and rear cutting height adjustment
- Push the axle forward to unlock the cutting height adjustment.
- Move the axle to required height and let it lock in place. Make sure both sides of the axle are on the same height.
- Ensure the four wheels are assembled on the same cutting height level and scroll smoothly and unobstructed.

Warning

Do not allow familiarity with products to make you careless. Remember that a careless fraction of a second is sufficient to inflict serious injury.

Warning

Always wear eye protection. Failure to do so could result in objects being thrown into your eyes resulting in possible serious injury.

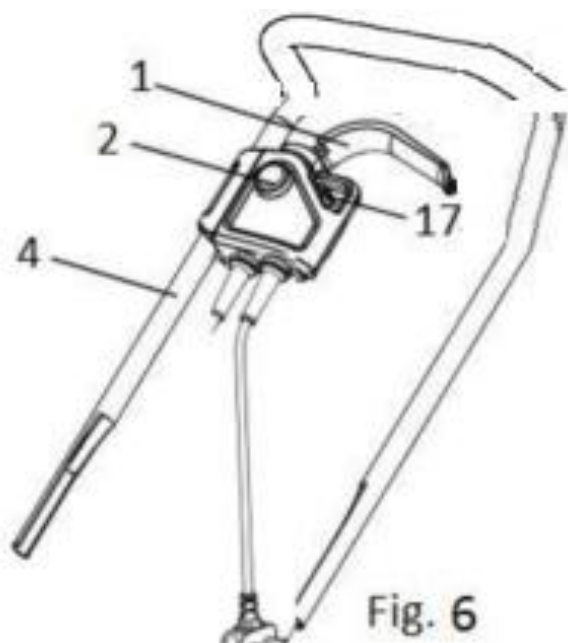
Warning

Do not use any attachments or accessories not recommended by the manufacturer of this product. The use of attachments or accessories not recommended can result in serious personal injury.

Warning

Always inspect mower for missing or damaged parts and blade for damage, uneven, or excessive wear prior to use. Using a product with damaged or missing parts could result in serious personal injury.

- Do not tilt the lawn mower when starting the engine or switching on the motor, unless the lawn mower has to be tilted for starting. In this case, do not tilt it more than absolutely necessary and lift only the part which is away from the operator.
- Do not start the engine when standing in front of the discharge chute.
- Do not put hands or feet near or under rotating parts. Always keep clear of the discharge opening.



STARTING/STOPPING THE MOWER

See Figure 6

To start the motor:

- Plug the mower into an approved outdoor extension cord.
- Press and hold the start button.
- Pull the switch box handle upward to the handle to start the mower and release the button.

To stop the motor:

- Release the switch box handle.

MOWING TIPS

- Make sure the lawn is clear of stones, sticks, wires and other objects that could damage the lawn mower blade or motor. Do not mow over property stakes or other metal posts. Such objects could be accidentally thrown by the mower in any direction and cause serious personal injury to the operator and others.
- For a healthy lawn, always cut off one-third or less of the total length of the grass.
- Do not cut wet grass, it will stick to the underside of the deck and prevent proper bagging or mulching of grass clippings.
- New or thick grass may require a narrower cut or a higher cutting height.
- Clean the underside of the mower deck after each use to remove grass clippings, leaves, dirt, and any other accumulated debris. Disconnect from power before any cleaning.
- When cutting long grass, reduce walking speed to allow for more effective cutting and a proper discharge of the clippings.

NOTE: Always stop mower, allow blade to completely stop, and remove the isolator key before cleaning underneath the mower.

SLOPE OPERATION



Warning

Slopes are a major factor related to slip and fall accidents that can result in severe injury. Operation on slopes requires extra caution. If you feel uneasy on a slope, do not mow it. For your safety, do not attempt to mow slopes greater than 15 degrees.

- Mow across the face of slopes, never up and down.
- Exercise extreme caution when changing direction on slopes.

- Watch for holes, ruts, rocks, hidden objects, or bumps which can cause you to slip or trip. Tall grass can hide obstacles. Remove all objects such as rocks, tree limbs, etc., which could be tripped over or thrown by the blade.
- Always be sure of your footing. A slip and fall can cause serious personal injury. If you feel you are losing your balance, release the power lever immediately.
- Do not mow near drop-offs, ditches, or embankments; you could lose your footing or balance.

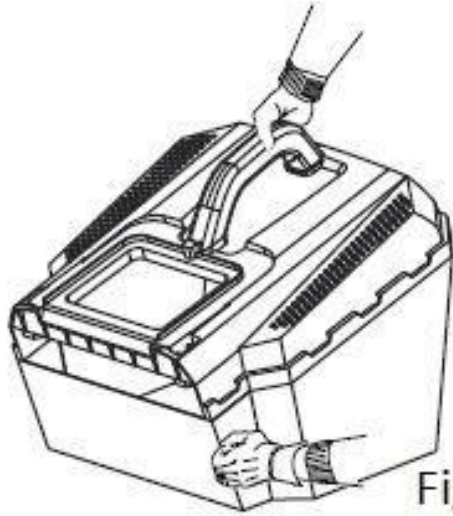


Fig. 8

EMPTYING THE GRASSBOX

(see Figure 8)

- Stop mower, allow blade to completely stop.
- Lift the rear door.
- Lift the grass box by its handle to remove from mower.
- Empty grass clippings.
- Lift the rear door and reinstall the grass box as described earlier in this manual.

Maintenance



Warning

When servicing, use only authorised replacement parts. Use of any other parts may create a hazard or cause product damage.

GENERAL MAINTENANCE

Before each use, inspect the entire product for damaged, missing, or loose parts such as screws, nuts, bolts, caps etc.

Tighten securely all fasteners and caps and do not operate this product until all missing or damaged parts are replaced. Please call Customer Services for assistance. Avoid using solvents when cleaning plastic parts. Most plastics are susceptible to damage from various types of commercial solvents and may be damaged by their use. Use clean clothes to remove dirt, dust, oil, grease, etc.



Warning

Do not at any time let brake fluids, gasoline, petroleum based products, penetrating oils, etc., come in contact with plastic parts. Chemicals can damage, weaken, or destroy plastic which may result in serious personal injury.

Periodically check all nuts and bolts for proper tightness to ensure safe operation of the mower. Wipe the mower clean with a dry cloth occasionally. Do not use water.

LUBRICATION

All of the bearings in this product are lubricated with a sufficient amount of high grade lubricant for the life of the unit under normal operating conditions. Therefore, no further bearing lubrication is required.



Warning

Always protect hands by wearing heavy gloves and/or wrapping the cutting edges of the blade with rags and other material when performing blade maintenance. Contact with the blade could result in serious personal injury.



Warning

Do not lubricate any of the wheel components. Lubrication may cause the wheel components to fail during use, which could result in serious personal injury to the operator and/or mower or property damage.

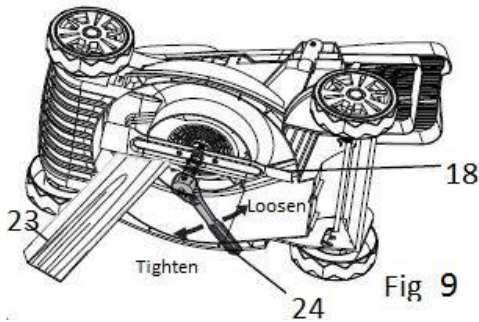


Fig 9

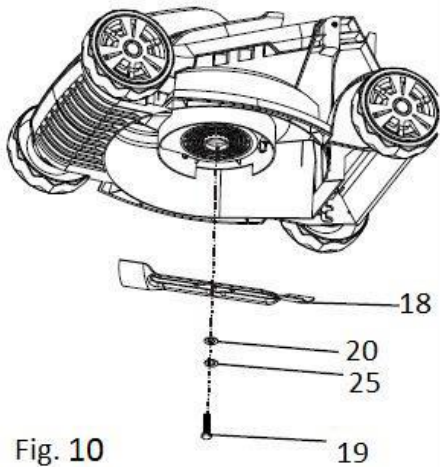


Fig. 10

REPLACING THE CUTTING BLADE

(See figure 9-10)

NOTE: Only use authorised replacement blades. Replace worn or damaged blades and bolts in sets to preserve balance.

- Stop the motor. Allow blade to come to a complete stop. Turn power off.
- Turn the mower on its side.
- Wedge an obstruction (23) between the blade and mower deck to prevent the blade from turning.
- Loosen the blade locking screw by turning it counter-clockwise (as reference from bottom of mower) using a hexagonal wrench (24) provided with the unit.
- Remove the blade locking screw, and blade.
- Place the new blade with its mounting hole align with the blade screw secure hole. Make sure the blade is placed with the curved ends pointing up toward the mower deck and not down toward the ground. When placed properly, the blade should be flat against the blade secure screw hole.
- Secure the blade by the blade locking screw again and tighten it by provided hexagonal wrench.

NOTE: Make certain all parts are replaced in the exact order in which they were removed

Troubleshooting

Problem	Possible Cause	Solution
Motor refuses to start	Power turned off	Turn power on
	Mains socket faulty	Use another socket
	Extension cable damaged	Inspect cable, replace if damaged
	Fuse faulty/blown	Replace fuse
	Grass too long	Increase height of cut and tilt mower to reduce starting load
	Motor protector activated	Allow motor to cool and increase height of cut
Mower functions intermittently	Extension cable damaged	Inspect cable, replace if damaged
	Internal wiring of mower damaged	Contact customer services
	Motor protector has activated	Allow motor to cool and increase height of cut
Mower leaves ragged finish and/or motor labours failure	Height of cut too low	Increase height of cut
	Cutting blade blunt	Replace the blade
	Possible clogging	Check underneath the mower and clear out as necessary (always turn off and unplug mower and wear gardening gloves)
	Blade fitted upside down	Refit blade correctly
Blade not rotating while mower switched on	Cutting blade obstructed	Switch off mower and unplug. Clear obstruction (always wear gardening gloves)
	Blade nut/bolt loose	Tighten blade nut/bolt
Excessive vibration/noise	Blade nut/bolt loose	Tighten blade nut/bolt
	Cutting blade damaged	Replace the blade

PLUG WIRING (UK & IRELAND)

This appliance is fitted with a moulded BS 1363 13-amp plug.

If you have to replace the fuse, only use the same fuse amperage as that fitted in the plug. Either ASTA, BSI or NEMKO fuses approved to BS1362 should be used.

If there is a fuse cover fitted, this cover must be re-fitted after changing the fuse. If the fuse cover is lost or damaged the plug must not be used. Spare fuse holders and fuses are available from electrical outlets. If the socket outlets in your home or office are not suitable for this product's plug, the plug must be removed and disposed of safely. Attempts to insert the plug into the wrong socket is likely to cause electric hazard. If the rewirable plug is damaged, then a replacement plug should be wired according to the following instructions:

CARE AND CLEANING INSTRUCTIONS

- Always switch off and unplug before cleaning.
- Do NOT immerse in water. Risk of electric shock.
- Do NOT use abrasive cleaners or sharp utensils to clean this appliance.
- Wipe surfaces with a soft dry cloth.
- Allow to dry thoroughly before further use.
- Store the appliance in a cool, dry place.

Environmental protection



Do not dispose of the machine, accessories and packaging simply in the rubbish, but rather take them to an environmentally friendly recycling station. This small effort is good for our environment.



DISPOSAL

We use recyclable or recycled packaging where possible

Please dispose of all packaging in accordance with your local authority's recycling regulations

At the end of the product's lifespan check with your local council authorized household waste recycling centre for disposal.

UK & EU DECLARATION OF CONFORMITY

We, Coopers of Stortford hereby declare under our sole responsibility, that the product named below has been designed to comply with all relevant sections of the below referenced standards and directives: -

Description & item Number: 1300W ELECTRIC LAWN MOWER R016
Model No: HT7601B-011

Conforms to the following UK Regulations and EU Directives: -

- Supply of Machinery (Safety) Regulations 2008 and Machinery Directive 2006/42/EC.
- The Noise Emission in the Environment by Equipment for use Outdoors Regulations 2001 & amendments and Noise Directive 2000/14/EC & 2005/88/EC.
- The Electrical Equipment (Safety) Regulations 2016 & Low Voltage Directive 2014/35/EU.
- Electromagnetic Compatibility Regulations 2016 & EMC Directive 2014/30/EU.
- Restriction of Hazardous Substances (RoHS) Regulations & RoHS Directive 2011/65/EU & 2015/863/EU.

The conformity assessment procedure followed was in accordance with the following Standards:-

Machinery Directive & LVD Directive Standards: EN60335-1, EN60335-2-77

EMC Standards: EN IEC 55014-1 :2021, EN IEC 55014-2 :2021, EN IEC 61000-3-2 :2019/A2 :2024 and EN61000-3-3 :2013/A2 :2021

RoHS Standards: IEC 62321-2:2013, IEC62321-1:2013, IEC 62321-3-1:2013, IEC 62321-5:2013, IEC 62321-4:2013+A1:2017, IEC 62321-7-1:2015, IEC 62321-7-2:2017&ISO17075-1:2017, IEC 62321-6:2015, IEC 62321-8:2017

Measured Sound Pressure Level: LPA = 80.7dB(A)

Measured Sound Power Level: LWA = 92.4 BA)

The recommended guaranteed sound power level LwA=95dB

Vibration Level: 2.6 m/s²



The Test reports for this item are available from:

Coopers of Stortford, 11 Bridge Street, Bishop's Stortford, Hertfordshire, CM23 2JU

Distributed by / Verteilt durch / Distribué par/ Distribútor / Distribuuje.

The Enterprise Department Ltd, Trading as Coopers of Stortford.

UK address: 11 Bridge Street, Bishops Stortford, Herts, UK, CM23 2JU

EU address: D.S.B. LD, 160 Bd. De Fourmies, 59100 Roubaix, France



0330 331 0300




enquiries@coopersofstortford.co.uk



<https://www.coopersofstortford.co.uk>

3Pagen

Hergestellt für 3Pagen
Sankt-Joeris-Strasse 16-28
52477 Alsdorf

 +49 (0) 2404/980-204

 kontakt@3pagen.de

 www.3pagen.de



OR

