

2000W WEEDBLAZE ELECTRIC WEED BURNER

R019 / 739560

v002: 28/01/26

Please read and retain these instructions for future reference.



ENGLISH INSTRUCTIONS



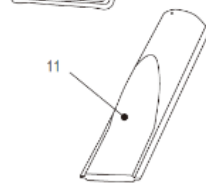
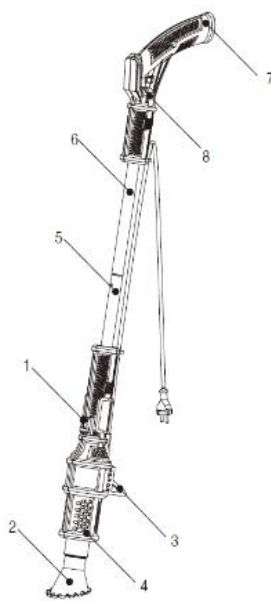
Power Details:

Voltage details: 220-240V

Wattage details: 2000W

Frequency details: 50-60Hz

Temperature: °C: I: 80 II: 650



1. Power switch
2. Hot air nozzle
3. Stand
4. Ventilation openings
5. Extension handle connection
6. Extension handle
7. Handle
8. Cord retainer

Nozzles

9. Nozzle for weed control
10. Nozzles for paint removal
11. Nozzle for barbecue/fireplace lighter

Use: This item requires two hands to use safely.

Please read this instruction manual thoroughly before starting and ensure you are familiar with the operation of your new 2000W 'WEEDBLAZE' ELECTRIC WEED BURNER

RECOMMENDED FOR PERSONS OVER 18 YEARS OF AGE.

ALWAYS USE HEAD, EYE AND EAR PROTECTION EQUIPMENT AND SAFETY SHOES AND HAND GLOVES

User instruction

- 1) Insert the power plug into the 230V outlet and lay the Weed burner down on a flat stable surface using the stand pre fitted to the item.
- 2) Turn the power switch to Pos. I, for 1 min, so the hot air gun starts heating up.
- 3) Turn the power switch to Pos. II, which will increase the temperature and wait for 30 second.
- 4) Then pick up with 2 hands and hold the Weed Burner head over the weeds and slowly rotate around the weed for around 3 seconds. For best results position the Weed Burner Head directly above the Weed.

- 5) Once finished turn the power switch to Pos. I, again place on a stable surface for 1 min to allow the Weed Burner to cool down a bit, **still do not touch the metal air nozzle.**
- 6) Turn the power switch to Pos. O, and leave until fully cooled down.
For Domestic use only. Ideal for burning weeds in paths, patio, driveways and borders. Take care to avoid burning plants and flowers.

NOT RECOMMENDED FOR USE ON LAWNS. MAY CAUSE BURN DAMAGE.

To install the nozzle

Each nozzle can easily be by pulling off and pushing on over the hot air nozzle.

Never touch the nozzles during or immediately after use of the device.

Assemble the extension handle:

The extension handle consists of two parts. Connect both parts and attach the extension handle to the device. To attach the extension handle, place the extension bar in the machine and turn the extension handle a quarter turn to the right. Make sure that the extension handle firmly clicks into position.

If using the device as a weed killer you must use the extension handle. Hold the weed killer firmly by holding the end of the extension handle.

Ensure the extension handle is firmly fixed onto the device and that the device is turned off.

Paint removal

The paint removal can be used for various purposes, such as:

- Removing old paint and gloss.
- Removing self-adhesive labels.
- Bonding of PVC labels.
- Removing vinyl wallpaper.
- Fast drying of damp equipment.
- Shrink packaging.
- Defrosting of water pipes.
- Loosening of nuts and bolts.

The paint removal is always done without the use of the extension handle.

Barbecue/fireplace lighter

The barbecue and fireplace lighter is always to be used without the extension handle.

- Remove the extension handle by pulling out the locking ring and turning the extension handle a quarter turn to the left.
- Attach the barbecue nozzle (11) onto the device
- Place the nozzle under the coal or the wood.
- Ensure that the firelighter is properly positioned
- Insert the plug into the socket.
- Check to ensure the nozzle is not blocked before turning the device on to setting II.
- Remove the device from the coals or the wood as soon as it starts to glow
- Now blow hot air into the coals or wood from a distance of around 5 - 10 cm, until the coals or wood is burning properly.
- Doing this will help to avoid damaging the nozzle attachment. Exposing the nozzle to high temperatures for a prolonged period of time could cause the material to melt. Please follow these instructions to achieve long term enjoyment with the product.
- Switch off the device before removing from the fire.

Watch Out! To avoid overheating of the barbecue or fireplace do not use the device for longer than necessary.

COOLING DOWN

With the aid of the stand (2), it is possible to lay down the appliance while it is cooling down.

- Leave device to run for at least one minute in position I.
- Switch off the device.
- Pull the plug out of the socket.
- Allow the appliance to cool down further.
- Remove the accessories.



Warning! Please read these operating instructions carefully and observe the notes given. Use these operating instructions to familiarise yourself with the pole hedge trimmer, its proper use and the notes on safety.



For safety reasons, children under the age of 18 and people not familiar with these operating instructions must not use this pole hedge trimmer. Persons with reduced physical or mental abilities may use the pole hedge trimmer only if they are supervised or instructed by a responsible person.



If not used properly this product can be dangerous. The warnings and safety instructions must be followed to ensure reasonable safety and efficiency in using this product.

Explanation of Warnings and Symbols on your product.

	WARNING!
	Read the user instructions carefully to make sure you understand all the controls and what they do.
	Remove plug from the mains immediately if the cable is damaged or cut.
	Do not expose to rain. Do not leave the product outdoors while it is raining.
	The use of eye protection is recommended.
	Head protection must be worn.
	Keep away from electric cables, whether overhead, on the ground or along outdoor buildings.

1) Work area safety

Only use the product in the manner and for the functions described in these instructions.

The operator or user is responsible for accidents or hazards occurring to other people or their property.

- Keep work area clean and well lit. Cluttered or dark areas invite accidents. Remove all stones, leaves, twigs, branches, debris from the work area before using this tool.
- Do not operate power tools in explosive atmospheres, such as in the presence of flammable liquids, gases or dust. Power tools create sparks which may ignite the dust or fumes.
- Keep children and bystanders away while operating a power tool. Distractions can cause you to lose control.

2) Electrical safety

- Power tool plugs must match the outlet. Never modify the plug in any way. Do not use any adaptor plugs with earthed (grounded) power tools. Unmodified plugs and matching outlets will reduce risk of electric shock.
- Avoid body contact with earthed or grounded surfaces, such as pipes, radiators, ranges and refrigerators. There is an increased risk of electric shock if your body is earthed or grounded.

- c) Do not use / expose power tools in bad weather or wet conditions. especially when there is a risk of lightning. This decreases the risk of being struck by lightning.
- d) To reduce the risk of electrocution, never use the extendable tools near any electrical power lines. Contact with power lines may cause serious injury or electric shock resulting in death.
- e) Do not abuse the cord. Never use the cord for carrying, pulling or unplugging the power tool. Keep the cord away from heat, oil, sharp edges or moving parts. Damaged or entangled cords increase the risk of electric shock.
- f) When operating a power tool outdoors, use an extension cord suitable for outdoor use. Use of a cord suitable for outdoor use reduces the risk of electric shock.
- g) If operating a power tool in a damp location is unavoidable, use a residual current device (RCD) protected supply. Use of an RCD reduces the risk of electric shock.
- h) Before use, examine cable for damage, replace it if there are signs of damage or ageing.
- i) Do not use the product if the electric cables are damaged or worn.
- j) Immediately disconnect from the mains electricity supply if the cable is cut, or the insulation is damaged. Do not touch the electric cable until the electrical supply has been disconnected.
- k) Your electric cable must be untangled; tangled cables can overheat and reduce the efficiency of your product.
- l) Always switch off at the mains before disconnecting any plug, cable connector or extension cable.
- m) Switch off, remove plug from mains and examine electric supply cable for damage or ageing before winding cable for storage. Do not repair a damaged cable, replace it with a new one.
Always wind cable carefully, avoiding kinking.
- n) Use only on AC mains supply voltage shown on the product rating label.

3) Personal safety

- a) Stay alert, watch what you are doing and use common sense when operating a power tool. Do not use a power tool while you are tired or under the influence of drugs, alcohol or medication. A moment of inattention while operating power tools may result in serious personal injury.
- b) Use personal protective equipment. Always wear eye protection. Protective equipment such as dust mask, non-skid safety shoes, hard hat, or hearing protection used for appropriate conditions will reduce personal injuries.
- c) Prevent unintentional starting. Ensure the switch is in the off position before connecting to power source, picking up or carrying the tool. Do not carry power tools with your finger on the switch or power tools that have the switch on as this invites accidents.
- d) Remove any adjusting key or wrench before turning the power tool on. A wrench or a key left attached to a rotating part of the power tools may result in personal injury.
- e) Always wear suitable clothing, gloves, and stout shoes.
Do not wear loose clothing or jewellery. Keep your hair, clothing and gloves away from moving parts. Loose clothes, jewellery or long hair can be caught in moving parts
- f) Thoroughly inspect the area where the product is to be used and remove all wires and other foreign objects.
- g) All adjustments (turning the blade unit, inclining the blade head) have to be made with the sheath/protect cover in place, and the Hedge Trimmer must not rest on the blade in the process.
- h) Before using the machine and after any impact, check for signs of wear or damage and repair as necessary.
- i) Never attempt to use an incomplete product or one with an unauthorised modification.
- j) Do not overreach. Keep proper footing and balance at all times. This enables better control of the power tool in unexpected situations.
- k) If devices are provided for the connection of dust extraction and collection facilities, ensure these are connected and properly used. Use of dust collection can reduce dust-related hazards.
- l) Do not use on or near ladders.
- m) If the garden product hits an object, then stop immediately, switch off and disconnect from the mains supply. Check the product for any damage and repair before continuing use.

4) Power tool use and care

- a) Do not force the power tool. Use the correct power tool for your application. The correct power tool will do the job better and safer at the rate for which it was designed.
- b) Do not use the power tool if the switch does not turn it on and off. Any power tool that cannot be controlled with the switch is dangerous and must be repaired.
- c) Disconnect the plug from the power source from the power tool before making any adjustments, changing accessories, or storing power tools. Such preventive safety measures reduce the risk of starting the power tool accidentally.
- d) Store idle power tools out of the reach of children and do not allow anyone unfamiliar with the power tool or these instructions to operate the power tool. Power tools are dangerous in the hands of untrained users.

- e) Maintain power tools. Check for misalignment or binding of moving parts, breakage of parts and any other condition that may affect the power tool's operation. If damaged, have the power tool repaired before use. Many accidents are caused by poorly maintained power tools.
- f) Keep cutting tools sharp and clean. Properly maintained cutting tools with sharp cutting edges are less likely to bind and are easier to control.
- g) Use the power tool, accessories and tool bits etc. in accordance with these instructions, taking into account the working conditions and the work to be performed. Use of the power tool for operations different from those intended could result in a hazardous situation.

5. Cleaning and maintenance

Have your power tool serviced by a qualified repair person using only identical replacement parts. This will ensure that the safety of the power tool is maintained.

Before any work on the unit itself, pull the power plug. For safe and efficient working always keep the unit and its ventilation slots clean.

if the unit should fail despite the care, taken in manufacture and testing, repair should be carried out by an authorized customer service agent for power tools.

PLUG WIRING (UK & IRELAND)

This appliance is fitted with a fused BS 1363 plug.

If you have to replace the fuse, only use the same fuse amperage as that fitted in the plug. Either ASTA, BSI or NEMKO fuses approved to BS1362 should be used.

If there is a fuse cover fitted, this cover must be re-fitted after changing the fuse. If the fuse cover is lost or damaged the plug must not be used. Spare fuse holders and fuses are available from electrical outlets. If the socket outlets in your home or office are not suitable for this product's plug, the plug must be removed and disposed of safely. Attempts to insert the plug into the wrong socket is likely to cause electric hazard. If the rewirable plug is damaged, then a replacement plug should be wired according to the following instructions:

PLUG WIRING (UK & IRELAND)

This appliance is supplied with a mains adaptor/charger with BS1363 plug pins.

DO NOT use if the socket outlets in your home or office are not suitable for this product's mains adaptor/ charger plug pins. Attempts to insert the mains adaptor/charger into the wrong socket is likely to cause electric hazard or damage.

DO NOT use with any other mains transformer/charger than the one that is supplied with this product.

CARE AND CLEANING INSTRUCTIONS

- Always switch off and unplug before cleaning.
- Do NOT immerse in water. Risk of electric shock.
- Do NOT use abrasive cleaners or sharp utensils to clean this appliance.
- Wipe surfaces with a soft dry cloth.
- Allow to dry thoroughly before further use.
- Store the appliance in a cool, dry place.


DISPOSAL

We use recyclable or recycled packaging where possible

Please dispose of all packaging in accordance with your local authority's recycling regulations

At the end of the product's lifespan check with your local council authorized household waste recycling centre for disposal.

Plastic Polybags – this is made from the following recyclable plastic

Code & Symbol	 LDPE
Type of Plastic	Low Density Polyethylene

UK & EU DECLARATION OF CONFORMITY

We, Coopers of Stortford hereby declare under our sole responsibility, that the product named below has been designed to comply with all relevant sections of the below referenced standards and directives: -

Description & item Number: 2000W 'WEEDBLAZE' ELECTRIC WEED BURNER R019
Model No: BY-EWB2000-A01

Conforms to the following UK Regulations and EU Directives: -

- The Electrical Equipment (Safety) Regulations 2016 & Low Voltage Directive 2014/35/EU.
- Electromagnetic Compatibility Regulations 2016 & EMC Directive 2014/30/EU.
- Restriction of Hazardous Substances (RoHS) Regulations & RoHS Directive 2011/65/EU & 2015/863/EU.

The conformity assessment procedure followed was in accordance with the following Standards:-

Electrical safety LVD Directive Standards:

EN 60335-1: 2012 + A11: 2014 + A13:2017 +A1: 2019 + A14: 2019 + A2: 2019 + A15: 2021 + A16: 2023

EN 60335-2-45:2002 + A1:2008 + A2:2012+ A11: 2023

EMC Standards:

EN 61000-3-3: 2013+ A1:2019+A2:2021

ENIEC 55014-1:2021

EN IEC 55014-2:2021

EN IEC 61000-3-2: 2019+A1:2021

RoHS Standards: (EU) 2015/863 amending 2011/65/EU.

The Test reports for this item are available from:

Coopers of Stortford, 11 Bridge Street, Bishop's Stortford, Hertfordshire, CM23 2JU

DEUTSCHE ANLEITUNG



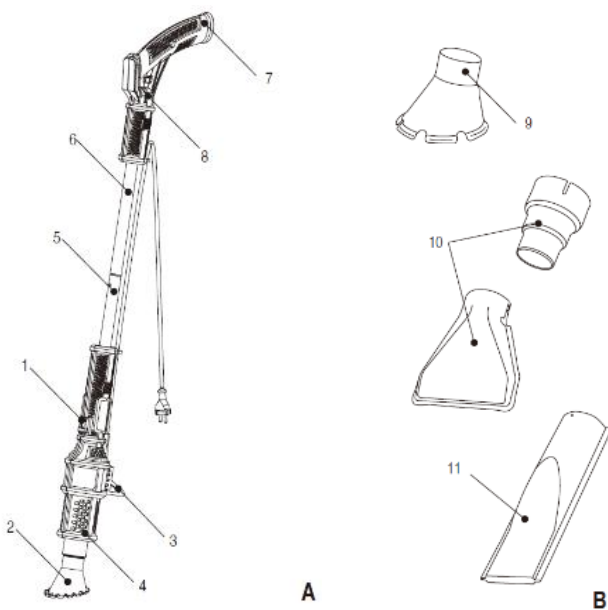
Leistungsdaten:

Spannungsangaben: 220–240 V

Leistungsangaben: 2000 W

Frequenzangaben: 50–60 Hz

Temperatur: °C: I: 80 II: 650



1. Netzschalter
2. Heißluftdüse
3. Ständer
4. Lüftungsöffnungen
5. Verlängerungsgriffanschluss
6. Verlängerungsgriff
7. Griff
8. Kabelhalterung

Düsen

9. Düse zur Unkrautbekämpfung
10. Düsen zum Entfernen von Farbe
11. Düse zum Anzünden von Grill/Kamin

Endung: Dieser Gegenstand muss mit beiden Händen sicher verwendet werden.

Bitte lesen Sie diese Bedienungsanleitung vor der Inbetriebnahme sorgfältig durch und machen Sie sich mit den Bedienung Ihres neuen 2000-W-Elektro-Unkrautbrenners „WEEDBLAZE“

EMPFOHLEN FÜR PERSONEN ÜBER 18 JAHRE.

VERWENDEN SIE IMMER KOPF-, AUGEN- UND GEHÖRSCHUTZ, SICHERHEITSSCHUHE UND ARBEITSHANDSCHUHE

Benutzeranleitung

- 1) Stecken Sie den Netzstecker in die 230-V-Steckdose und stellen Sie den Unkrautbrenner mit Hilfe des am Gerät angebrachten Ständers auf eine ebene, stabile Fläche.
- 2) Drehen Sie den Netzschalter für 1 Minute auf Position I, damit sich die Heißluftpistole aufheizt.
- 3) Drehen Sie den Netzschalter auf Position II, wodurch die Temperatur erhöht wird, und warten Sie 30 Sekunden.
- 4) Nehmen Sie dann den Unkrautbrenner mit beiden Händen und halten Sie den Brennerkopf über das Unkraut. Drehen Sie ihn langsam etwa 3 Sekunden lang um das Unkraut herum. Die besten Ergebnisse erzielen Sie, wenn Sie den Brennerkopf direkt über dem Unkraut positionieren.
- 5) Nach Beendigung des Vorgangs den Netzschalter auf Position I stellen und das Gerät erneut für 1 Minute auf eine stabile Oberfläche stellen, damit der Unkrautbrenner etwas abkühlen kann, **Berühren Sie weiterhin nicht die Metall-Luftdüse.**

- 6) Drehen Sie den Netzschalter auf Position O und lassen Sie das Gerät vollständig abkühlen.
Nur für den Hausgebrauch. Ideal zum Verbrennen von Unkraut auf Wegen, Terrassen, Einfahrten und Beeten.
Achten Sie darauf, Pflanzen und Blumen nicht zu verbrennen.

NICHT FÜR DIE VERWENDUNG AUF RASENFLÄCHEN EMPFOHLEN. KANN VERBRENNUNGSSCHÄDEN VERURSACHEN.

So installieren Sie die Düse

Jede Düse lässt sich leicht abziehen und auf die Heißluftdüse aufstecken.

Berühren Sie die Düsen niemals während oder unmittelbar nach der Verwendung des Geräts.

Montieren Sie den Verlängerungsgriff:

Der Verlängerungsgriff besteht aus zwei Teilen. Verbinden Sie beide Teile miteinander und befestigen Sie den Verlängerungsgriff am Gerät. Um den Verlängerungsgriff zu befestigen, setzen Sie die Verlängerungsstange in die Maschine ein und drehen Sie den Verlängerungsgriff um eine Viertelumdrehung nach rechts. Achten Sie darauf, dass der Verlängerungsgriff fest einrastet.

Wenn Sie das Gerät als Unkrautvernichter verwenden, müssen Sie den Verlängerungsgriff verwenden. Halten Sie den Unkrautvernichter fest, indem Sie das Ende des Verlängerungsgriffs festhalten.

Stellen Sie sicher, dass der Verlängerungsgriff fest am Gerät befestigt ist und dass das Gerät ausgeschaltet ist.

Entfernen von Farbe

Die Farbentfernung kann für verschiedene Zwecke verwendet werden, beispielsweise:

- Entfernen von alter Farbe und Lack.
- Entfernen von selbstklebenden Etiketten.
- Verkleben von PVC-Etiketten.
- Entfernen von Vinyltapeten.
- Schnelles Trocknen von feuchten Geräten.
- Schrumpffolienverpackungen.
- Auftauen von Wasserleitungen.
- Lösen von Schrauben und Muttern.

Die Lackentfernung erfolgt immer ohne Verwendung des Verlängerungsgriff.

Grill-/Kaminanzünder

Der Grill- und Kaminanzünder darf nur ohne Verlängerungsstiel verwendet werden.

- Entfernen Sie den Verlängerungsgriff, indem Sie den Sicherungsring herausziehen und den Verlängerungsgriff eine Viertelumdrehung nach links drehen.
- Befestigen Sie die Grilledüse (11) am Gerät.
- Platzieren Sie die Düse unter der Kohle oder dem Holz.
- Stellen Sie sicher, dass der Anzünder richtig positioniert ist.
- Stecken Sie den Stecker in die Steckdose.
- Vergewissern Sie sich, dass die Düse nicht verstopft ist, bevor Sie das Gerät auf Stufe II einschalten.
- Entfernen Sie das Gerät von der Kohle oder dem Holz, sobald es zu glühen beginnt.
- Blasen Sie nun aus einer Entfernung von etwa 5 bis 10 cm heiße Luft in die Kohle oder das Holz, bis die Kohle oder das Holz richtig brennt.
- Dadurch wird eine Beschädigung des Düsenaufsatzes vermieden. Wenn die Düse über einen längeren Zeitraum hohen Temperaturen ausgesetzt wird, kann das Material schmelzen. Bitte befolgen Sie diese Anweisungen, um lange Freude an dem Produkt zu haben.
- Schalten Sie das Gerät aus, bevor Sie es aus dem Feuer nehmen.

Achtung! Um eine Überhitzung des Grills oder Kamins zu vermeiden, verwenden Sie das Gerät nicht länger als nötig.

ABKÜHLUNG

Mit Hilfe des Ständers (2) kann das Gerät während des Abkühlens abgestellt werden.

- Lassen Sie das Gerät mindestens eine Minute lang in Position I laufen.
- Schalten Sie das Gerät aus.
- Ziehen Sie den Stecker aus der Steckdose.
- Lassen Sie das Gerät weiter abkühlen.
- Entfernen Sie das Zubehör.



Achtung! Bitte lesen Sie diese Bedienungsanleitung sorgfältig durch und beachten Sie die darin enthaltenen Hinweise. Machen Sie sich anhand dieser Bedienungsanleitung mit der Heckenschere, ihrer ordnungsgemäßen Verwendung und den Sicherheitshinweisen vertraut.



Aus Sicherheitsgründen dürfen Kinder unter 18 Jahren und Personen, die mit dieser Bedienungsanleitung nicht vertraut sind, diese Heckenschere nicht benutzen. Personen mit eingeschränkten körperlichen oder geistigen Fähigkeiten dürfen die Heckenschere nur unter Aufsicht oder Anleitung einer verantwortlichen Person benutzen.



Bei unsachgemäßer Verwendung kann dieses Produkt gefährlich sein. Die Warnhinweise und Sicherheitsanweisungen müssen befolgt werden, um eine angemessene Sicherheit und Effizienz bei der Verwendung dieses Produkts zu gewährleisten.

Erläuterung der Warnhinweise und Symbole auf Ihrem Produkt.

	WARNUNG!
	Lesen Sie die Gebrauchsanweisung sorgfältig durch, um sicherzustellen, dass Sie alle Bedienelemente und deren Funktionen verstehen.
	Ziehen Sie sofort den Netzstecker, wenn das Kabel beschädigt oder durchtrennt ist.
	Setzen Sie das Produkt keinem Regen aus. Lassen Sie das Produkt bei Regen nicht im Freien stehen.
	Die Verwendung einer Schutzbrille wird empfohlen.
	Es muss ein Kopfschutz getragen werden.
	Halten Sie sich von Stromkabeln fern, egal ob diese über Kopf, am Boden oder entlang von Gebäuden im Freien verlaufen.

1) Sicherheit am Arbeitsplatz

Verwenden Sie das Produkt nur in der in dieser Anleitung beschriebenen Weise und für die darin beschriebenen Funktionen.

Der Betreiber oder Nutzer ist für Unfälle oder Gefahren verantwortlich, die anderen Personen oder deren Eigentum zustoßen.

- Halten Sie den Arbeitsbereich sauber und gut beleuchtet. Unaufgeräumte oder dunkle Bereiche begünstigen Unfälle. Entfernen Sie alle Steine, Blätter, Zweige, Äste und Abfälle aus dem Arbeitsbereich, bevor Sie dieses Werkzeug verwenden.
- Verwenden Sie Elektrowerkzeuge nicht in explosionsgefährdeten Bereichen, z. B. in Gegenwart von brennbaren Flüssigkeiten, Gasen oder Staub. Elektrowerkzeuge erzeugen Funken, die Staub oder Dämpfe entzünden können.
- Halten Sie Kinder und Umstehende während des Betriebs eines Elektrowerkzeugs fern. Ablenkungen können dazu führen, dass Sie die Kontrolle verlieren.

2) Elektrische Sicherheit

- a) Die Stecker von Elektrowerkzeugen müssen zur Steckdose passen. Verändern Sie den Stecker niemals in irgendeiner Weise. Verwenden Sie keine Adapterstecker mit geerdeten Elektrowerkzeugen. Unveränderte Stecker und passende Steckdosen verringern das Risiko eines Stromschlags.
- b) Vermeiden Sie Körperkontakt mit geerdeten Oberflächen wie Rohren, Heizkörpern, Herden und Kühlschränken. Wenn Ihr Körper geerdet ist, besteht ein erhöhtes Risiko für einen Stromschlag.
- c) Verwenden Sie Elektrowerkzeuge nicht bei schlechtem Wetter oder Nässe, insbesondere wenn Blitzgefahr besteht. Dadurch verringern Sie das Risiko eines Blitzschlags.
- d) Um das Risiko eines Stromschlags zu verringern, verwenden Sie ausziehbare Werkzeuge niemals in der Nähe von Stromleitungen. Der Kontakt mit Stromleitungen kann zu schweren Verletzungen oder einem tödlichen Stromschlag führen.
- e) Behandeln Sie das Kabel nicht unsachgemäß. Verwenden Sie das Kabel niemals zum Tragen, Ziehen oder Herausziehen des Elektrowerkzeugs. Halten Sie das Kabel von Hitze, Öl, scharfen Kanten oder beweglichen Teilen fern. Beschädigte oder verwickelte Kabel erhöhen die Gefahr eines Stromschlags.
- f) Verwenden Sie bei der Verwendung eines Elektrowerkzeugs im Freien ein für den Außenbereich geeignetes Verlängerungskabel. Die Verwendung eines für den Außenbereich geeigneten Kabels verringert die Gefahr eines Stromschlags.
- g) Wenn der Betrieb eines Elektrowerkzeugs an einem feuchten Ort unvermeidbar ist, verwenden Sie eine durch einen Fehlerstromschutzschalter (RCD) geschützte Stromversorgung. Die Verwendung eines Fehlerstromschutzschalters verringert die Gefahr eines Stromschlags.
- h) Überprüfen Sie das Kabel vor dem Gebrauch auf Beschädigungen und ersetzen Sie es, wenn Anzeichen von Beschädigungen oder Alterung vorhanden sind.
- i) Verwenden Sie das Produkt nicht, wenn die Elektrokabel beschädigt oder abgenutzt sind.
- j) Trennen Sie das Gerät sofort vom Stromnetz, wenn das Kabel durchtrennt oder die Isolierung beschädigt ist. Berühren Sie das Stromkabel nicht, bevor das Gerät vom Stromnetz getrennt wurde.
- k) Das Stromkabel muss entwirrt sein, da sich verwickelte Kabel überhitzen und die Leistung des Produkts beeinträchtigen können.
- l) Schalten Sie immer zuerst das Gerät aus, bevor Sie den Stecker, den Kabelanschluss oder das Verlängerungskabel abziehen.
- m) Schalten Sie das Gerät aus, ziehen Sie den Stecker aus der Steckdose und überprüfen Sie das Stromkabel auf Beschädigungen oder Alterung, bevor Sie es zur Aufbewahrung aufwickeln. Reparieren Sie ein beschädigtes Kabel nicht, sondern ersetzen Sie es durch ein neues.
Wickeln Sie das Kabel immer vorsichtig auf und vermeiden Sie Knicke.
- n) Verwenden Sie nur die auf dem Typenschild des Produkts angegebene Wechselstrom-Netzspannung.

3) Persönliche Sicherheit

- a) Bleiben Sie wachsam, achten Sie darauf, was Sie tun, und verwenden Sie Ihren gesunden Menschenverstand, wenn Sie ein Elektrowerkzeug bedienen. Verwenden Sie ein Elektrowerkzeug nicht, wenn Sie müde sind oder unter dem Einfluss von Drogen, Alkohol oder Medikamenten stehen. Ein Moment der Unachtsamkeit beim Bedienen von Elektrowerkzeugen kann zu schweren Verletzungen führen.
- b) Verwenden Sie persönliche Schutzausrüstung. Tragen Sie immer einen Augenschutz. Schutzausrüstung wie Staubmaske, rutschfeste Sicherheitsschuhe, Schutzhelm oder Gehörschutz, die unter geeigneten Bedingungen verwendet werden, reduzieren Personenschäden.
- c) Verhindern Sie unbeabsichtigtes Starten. Vergewissern Sie sich, dass der Schalter ausgeschaltet ist, bevor Sie das Werkzeug an die Stromquelle anschließen, es aufnehmen oder tragen. Tragen Sie Elektrowerkzeuge nicht mit dem Finger auf dem Schalter oder mit eingeschaltetem Schalter, da dies zu Unfällen führen kann.
- d) Entfernen Sie alle Einstellschlüssel oder Schraubenschlüssel, bevor Sie das Elektrowerkzeug einschalten. Ein Schraubenschlüssel oder ein Schlüssel, der an einem rotierenden Teil des Elektrowerkzeugs befestigt bleibt, kann zu Verletzungen führen.
- e) Tragen Sie immer geeignete Kleidung, Handschuhe und feste Schuhe.
Tragen Sie keine weite Kleidung oder Schmuck. Halten Sie Ihre Haare, Kleidung und Handschuhe davon fern, sich zu bewegen Teile. Lose Kleidung, Schmuck oder lange Haare können sich in beweglichen Teilen verfangen
- f) Überprüfen Sie den Bereich, in dem das Produkt verwendet werden soll, gründlich und entfernen Sie alle Drähte und andere Fremdkörper.
- g) Alle Einstellungen (Drehen der Messereinheit, Neigen des Messerkopfes) müssen bei aufgesetzter Scheide/Schutzabdeckung vorgenommen werden, und die Heckenscheren darf dabei nicht auf der Klinge aufliegen.
- h) Vor dem Gebrauch der Maschine und nach einem Aufprall auf Verschleißerscheinungen oder Beschädigungen prüfen und gegebenenfalls reparieren.

- i) Versuchen Sie niemals, ein unvollständiges Produkt oder ein Produkt mit einer nicht autorisierten Änderung zu verwenden.
- j) Übertreiben Sie es nicht. Behalten Sie jederzeit den richtigen Stand und das Gleichgewicht. Dies ermöglicht eine bessere Kontrolle des Elektrowerkzeugs in unerwarteten Situationen.
- k) Wenn Geräte für den Anschluss von Staubabsaug- und -sammelvorrichtungen vorgesehen sind, stellen Sie sicher, dass diese angeschlossen und ordnungsgemäß verwendet werden. Der Einsatz einer Staubabsaugung kann staubbedingte Gefahren verringern.
- l) Nicht auf oder in der Nähe von Leitern verwenden.
- m) Wenn das Gartenprodukt auf einen Gegenstand trifft, stoppen Sie sofort, schalten Sie es aus und trennen Sie es vom Stromnetz. Überprüfen Sie das Produkt auf Beschädigungen und Reparaturen, bevor Sie es weiter verwenden.

4) Verwendung und Pflege von Elektrowerkzeugen

- a) Setzen Sie das Elektrowerkzeug nicht mit Gewalt ein. Verwenden Sie das richtige Elektrowerkzeug für Ihre Anwendung. Das richtige Elektrowerkzeug erledigt die Arbeit besser und sicherer mit der Geschwindigkeit, für die es entwickelt wurde.
- b) Verwenden Sie das Elektrowerkzeug nicht, wenn der Schalter es nicht ein- und ausschaltet. Jedes Elektrowerkzeug, das nicht mit dem Schalter gesteuert werden kann, ist gefährlich und muss repariert werden.
- c) Ziehen Sie vor allen Einstellungen, vor dem Wechseln von Zubehörteilen oder vor dem Einlagern des Elektrowerkzeugs den Netzstecker aus der Steckdose. Diese vorbeugenden Sicherheitsmaßnahmen verringern das Risiko eines unbeabsichtigten Startens des Elektrowerkzeugs.
- d) Bewahren Sie ungenutzte Elektrowerkzeuge außerhalb der Reichweite von Kindern auf und lassen Sie niemanden, der mit dem Elektrowerkzeug oder dieser Anleitung vertraut ist, das Elektrowerkzeug bedienen. Elektrowerkzeuge sind in den Händen von ungeübten Benutzern gefährlich.
- e) Warten Sie Elektrowerkzeuge. Überprüfen Sie auf Fehlausrichtung oder Klemmen beweglicher Teile, Bruch von Teilen und andere Bedingungen, die den Betrieb des Elektrowerkzeugs beeinträchtigen können. Lassen Sie das Elektrowerkzeug bei Beschädigung vor dem Gebrauch reparieren. Viele Unfälle werden durch schlecht gewartete Elektrowerkzeuge verursacht.
- f) Halten Sie die Schneidwerkzeuge scharf und sauber. Richtig gewartete Schneidwerkzeuge mit scharfen Schneidkanten verklemmen sich weniger und sind leichter zu kontrollieren.
- g) Verwenden Sie das Elektrowerkzeug, Zubehör, Werkzeugbits usw. gemäß dieser Anleitung unter Berücksichtigung der Arbeitsbedingungen und der auszuführenden Arbeiten. Die Verwendung des Elektrowerkzeugs für andere als die vorgesehenen Vorgänge kann zu einer gefährlichen Situation führen.

5. Reinigung und Wartung

Lassen Sie Ihr Elektrowerkzeug von einer qualifizierten Reparaturwerkstatt warten, die nur identische Ersatzteile verwenden

Teile. Dadurch wird sichergestellt, dass die Sicherheit des Elektrowerkzeugs erhalten bleibt.

Ziehen Sie vor allen Arbeiten am Gerät selbst den Netzstecker. Für ein sicheres und effizientes Arbeiten halten Sie das Gerät und seine Lüftungsschlitze immer sauber.

Sollte das Gerät trotz der Sorgfalt, die bei der Herstellung und Prüfung angewandt wurde, ausfallen, sollte die Reparatur von einem autorisierten Kundendienstmitarbeiter für Elektrowerkzeuge durchgeführt werden.

STECKERVERKABELUNG (GROSSBRITANNIEN UND IRLAND)

Dieses Gerät ist mit einem abgesicherten Stecker BS 1363 ausgestattet.

Wenn Sie die Sicherung austauschen müssen, verwenden Sie nur die gleiche Stromstärke der Sicherung, die auch im Stecker eingebaut ist. Es sollten entweder ASTA-, BSI- oder NEMKO-Sicherungen verwendet werden, die nach BS1362 zugelassen sind.

Wenn eine Sicherungsabdeckung montiert ist, muss diese Abdeckung nach dem Wechsel der Sicherung wieder angebracht werden. Wenn die Sicherungsabdeckung verloren geht oder beschädigt wird, darf der Stecker nicht verwendet werden. Ersatzsicherungshalter und Sicherungen sind in der Steckdose erhältlich. Wenn die Steckdosen in Ihrem Zuhause oder Büro nicht für den Stecker dieses Produkts geeignet sind, muss der Stecker entfernt und sicher entsorgt werden. Versuche, den Stecker in die falsche Steckdose zu stecken, führen wahrscheinlich zu elektrischen Gefahren. Wenn der wiederverdrahtbare Stecker beschädigt ist, sollte ein Ersatzstecker gemäß den folgenden Anweisungen verdrahtet werden:

STECKERVERKABELUNG (GROSSBRITANNIEN UND IRLAND)

Dieses Gerät wird mit einem Netzteil/Ladegerät mit BS1363-Steckerstiften geliefert.

TUE NICHT Verwenden Sie: Wenn die Steckdosen in Ihrem Zuhause oder Büro nicht für das Netzteil / die Steckerstifte des Ladegeräts dieses Produkts geeignet sind. Versuche, das Netzteil/Ladegerät in die falsche Steckdose einzustecken, führen wahrscheinlich zu elektrischen Gefahren oder Schäden.

TUE NICHT Verwendung mit einem anderen Netztransformator/Ladegerät als dem mit diesem Produkt gelieferten.

PFLEGE- UND REINIGUNGSHINWEISE

- Schalten Sie immer aus und ziehen Sie den Netzstecker, bevor Sie reinigen.
- Tauchen Sie NICHT in Wasser. Gefahr eines Stromschlags.
- Verwenden Sie KEINE Scheuermittel oder scharfen Utensilien, um dieses Gerät zu reinigen.
- Wischen Sie die Oberflächen mit einem weichen, trockenen Tuch ab.
- Vor dem weiteren Gebrauch gründlich trocknen lassen.
- Lagern Sie das Gerät an einem kühlen, trockenen Ort.


BESEITIGUNG

Wir verwenden nach Möglichkeit recycelbare oder recycelte Verpackungen

Bitte entsorgen Sie alle Verpackungen gemäß den Recyclingvorschriften Ihrer örtlichen Behörde

Erkundigen Sie sich am Ende der Lebensdauer des Produkts zur Entsorgung an das von Ihrer Gemeinde autorisierte Recyclingzentrum für Hausmüll.

Polybeutel aus Kunststoff – dieser wird aus folgendem recycelbarem Kunststoff hergestellt

Code & Symbol	
Art des Kunststoffes	Polyethylen niedriger Dichte

UK- UND EU-KONFORMITÄTSERKLÄRUNG

Wir, Coopers of Stortford, erklären hiermit unter unserer alleinigen Verantwortung, dass das unten genannte Produkt so konzipiert wurde, dass es allen relevanten Abschnitten der unten genannten Normen und Richtlinien entspricht: -

Beschreibung & Artikelnummer: 2000W 'WEEDBLAZE' ELEKTRISCHER UNKRAUTBRENNER Nr. R019
Modell-Nr: VON-EWB2000-A01

Entspricht den folgenden britischen Vorschriften und EU-Richtlinien:

- Die Vorschriften für elektrische Geräte (Sicherheit) von 2016 und die Niederspannungsrichtlinie 2014/35/EU.
- Verordnung über elektromagnetische Verträglichkeit 2016 und EMV-Richtlinie 2014/30/EU.
- RoHS-Verordnungen (Restriction of Hazardous Substances) und RoHS-Richtlinie 2011/65/EU und 2015/863/EU.

Das angewandte Konformitätsbewertungsverfahren erfolgte in Übereinstimmung mit den folgenden Normen:-

Elektrische Sicherheit LVD-Richtlinie Normen::

EN 60335-1: 2012 + A11: 2014 + A13:2017 +A1: 2019 + A14: 2019 + A2: 2019 + A15: 2021 + A16: 2023

EN 60335-2-45:2002 + A1:2008 + A2:2012 + A11:2023

EMV-Normen:

EN 61000-3-3: 2013+ A1:2019+A2:2021

ENIEC 55014-1:2021

EN IEC 55014-2:2021

EN IEC 61000-3-2: 2019+A1:2021

RoHS-Normen:

(EU) 2015/863 zur Änderung von 2011/65/EU.

Die Testberichte für diesen Artikel sind erhältlich bei:

Coopers of Stortford, 11 Bridge Street, Bishop's Stortford, Hertfordshire, CM23 2JU

INSTRUCTIONS EN FRANÇAIS



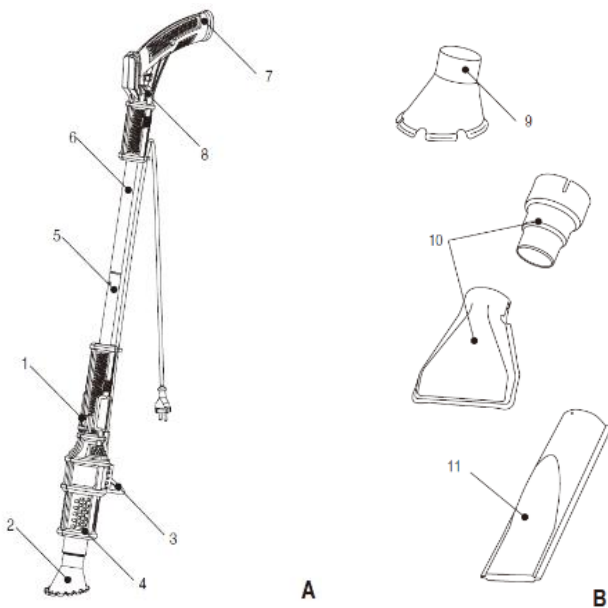
Détails de l'alimentation:

Détails sur la tension : 220-240 V

Détails sur la puissance : 2000 W

Détails sur la fréquence : 50-60 Hz

Température : °C : I : 80 II : 650



1. Interrupteur d'alimentation
2. Buse d'air chaud
3. Debout
4. Ouvertures de ventilation
5. Connexion de la poignée d'extension
6. Poignée d'extension
7. Manche
8. Dispositif de retenue du cordon

Buses

1. Buse pour le désherbage
2. Buses pour le décapage de peinture
3. Buse pour briquet barbecue/cheminée

Utilisation : Cet article nécessite deux mains pour être utilisé en toute sécurité.

Veillez lire attentivement ce manuel d'instructions avant de commencer et assurez-vous de bien connaître le fonctionnement de votre nouveau brûleur de mauvaises herbes électrique 'WEEDBLAZE' DE 2000W

RECOMMANDÉ POUR LES PERSONNES DE PLUS DE 18 ANS.

UTILISEZ TOUJOURS UN ÉQUIPEMENT DE PROTECTION DE LA TÊTE, DES YEUX ET DES OREILLES, DES CHAUSSURES DE SÉCURITÉ ET DES GANTS

Mode d'emploi

1. Insérez la fiche d'alimentation dans la prise 230V et posez le brûleur de mauvaises herbes sur une surface plane et stable à l'aide du support pré-monté sur l'article.
2. Tournez l'interrupteur d'alimentation sur Pos. I, pendant 1 min, pour que le pistolet à air chaud commence à chauffer.
3. Tournez l'interrupteur d'alimentation sur Pos. II, ce qui augmentera la température et attendra 30 secondes.
4. Ensuite, ramassez avec 2 mains et tenez la tête du brûleur de mauvaises herbes sur les mauvaises herbes et tournez lentement autour de la mauvaise herbe pendant environ 3 secondes. Pour de meilleurs résultats, placez la tête du brûleur de mauvaises herbes directement au-dessus de la mauvaise herbe.
5. Une fois terminé, tournez l'interrupteur d'alimentation sur Pos. Je le place à nouveau sur une surface stable pendant 1 min pour permettre au brûleur de mauvaises herbes de refroidir un peu, sans **toucher la buse d'air métallique**.

6. Tournez l'interrupteur d'alimentation sur Pos. O et laissez jusqu'à ce qu'il soit complètement refroidi.
Pour un usage domestique uniquement. Idéal pour brûler les mauvaises herbes dans les allées, les patios, les allées et les bordures. Prenez soin d'éviter de brûler les plantes et les fleurs.

NON RECOMMANDÉ POUR UNE UTILISATION SUR LES PELOUSES. PEUT CAUSER DES DOMMAGES CAUSÉS PAR DES BRÛLURES.

Pour installer la buse

Chaque buse peut facilement être retirée et poussée sur la buse d'air chaud.

Ne touchez jamais les buses pendant ou immédiatement après l'utilisation de l'appareil.

Assemblez la poignée d'extension:

La poignée d'extension se compose de deux parties. Connectez les deux pièces et fixez la poignée d'extension à l'appareil. Pour fixer la poignée d'extension, placez la barre d'extension dans la machine et tournez la poignée d'extension d'un quart de tour vers la droite. Assurez-vous que la poignée d'extension s'enclenche fermement.

Si vous utilisez l'appareil comme désherbant, vous devez utiliser la poignée d'extension. Tenez fermement le désherbant en tenant l'extrémité de la poignée d'extension.

Assurez-vous que la poignée d'extension est fermement fixée sur l'appareil et que l'appareil est éteint.

Décapage de peinture

Le décapage de peinture peut être utilisé à diverses fins, telles que:

- Enlever la vieille peinture et le lustre.
- Retrait des étiquettes autocollantes.
- Collage d'étiquettes en PVC.
- Enlever le papier peint en vinyle.
- Séchage rapide de l'équipement humide.
- Emballage rétractable.
- Dégivrage des conduites d'eau.
- Desserrage des écrous et des boulons.

Le décapage de la peinture se fait toujours sans l'utilisation de la rallonge.

Briquet barbecue/cheminée

L'allume-barbecue et l'allume-feu doivent toujours être utilisés sans la rallonge.

- Retirez la poignée d'extension en tirant sur la bague de verrouillage et en tournant la poignée d'extension d'un quart de tour vers la gauche.
- Fixez la buse du barbecue (11) sur l'appareil
- Placez la buse sous le charbon ou le bois.
- Assurez-vous que l'allume-feu est correctement positionné
- Insérez la fiche dans la prise.
- Assurez-vous que la buse n'est pas bloquée avant de mettre l'appareil en position II.
- Retirez l'appareil des charbons ou du bois dès qu'il commence à briller
- Maintenant, soufflez de l'air chaud dans les charbons ou le bois à une distance d'environ 5 à 10 cm, jusqu'à ce que les charbons ou le bois brûlent correctement.
- Cela permettra d'éviter d'endommager la fixation de la buse. L'exposition de la buse à des températures élevées pendant une période prolongée pourrait faire fondre le matériau. Veuillez suivre ces instructions pour profiter à long terme du produit.
- Éteignez l'appareil avant de le retirer du feu.

Fais gaffe! Pour éviter la surchauffe du barbecue ou de la cheminée, n'utilisez pas l'appareil plus longtemps que nécessaire.

REFROIDISSEMENT

À l'aide du support (2), il est possible de poser l'appareil pendant qu'il refroidit.

- Laissez l'appareil fonctionner pendant au moins une minute en position I.
- Éteignez l'appareil.
- Débranchez la fiche de la prise.
- Laissez l'appareil refroidir davantage.
- Retirer les accessoires.



Attention ! Veuillez lire attentivement ce mode d'emploi et respecter les consignes qui y sont données. Utilisez ce mode d'emploi pour vous familiariser avec le taille-haie à perche, son utilisation correcte et les consignes de sécurité.



Pour des raisons de sécurité, les enfants de moins de 18 ans et les personnes qui ne sont pas familiarisées avec ce mode d'emploi ne doivent pas utiliser ce taille-haie à perche. Les personnes dont les capacités physiques ou mentales sont réduites ne peuvent utiliser le taille-haie à perche que si elles sont surveillées ou guidées par une personne responsable.



Si ce produit n'est pas utilisé correctement, il peut être dangereux. Les avertissements et les consignes de sécurité doivent être respectés afin de garantir une sécurité et une efficacité raisonnables lors de l'utilisation de ce produit.

Explication des avertissements et des symboles sur votre produit.

	AVERTISSEMENT!
	Lisez attentivement les instructions d'utilisation pour vous assurer que vous comprenez toutes les commandes et ce qu'elles font.
	Retirez immédiatement la fiche du secteur si le câble est endommagé ou coupé.
	Ne pas exposer à la pluie. Ne laissez pas le produit à l'extérieur lorsqu'il pleut.
	L'utilisation d'une protection oculaire est recommandée.
	Une protection de la tête doit être portée.
	Tenir à l'écart des câbles électriques, qu'ils soient aériens, au sol ou le long des bâtiments extérieurs.

1) Sécurité de la zone de travail

N'utilisez le produit que de la manière et pour les fonctions décrites dans ces instructions.

L'exploitant ou l'utilisateur est responsable des accidents ou des dangers survenus à d'autres personnes ou à leurs biens.

- Gardez l'espace de travail propre et bien éclairé. Les zones encombrées ou sombres sont propices aux accidents. Retirez toutes les pierres, feuilles, brindilles, branches, débris de la zone de travail avant d'utiliser cet outil.
- N'utilisez pas d'outils électriques dans des atmosphères explosives, comme en présence de liquides, de gaz ou de poussières inflammables. Les outils électriques créent des étincelles qui peuvent enflammer la poussière ou les fumées.
- Éloignez les enfants et les passants lors de l'utilisation d'un outil électrique. Les distractions peuvent vous faire perdre le contrôle.

2) Sécurité électrique

- a) Les fiches de l'outil électrique doivent correspondre à la prise. Ne modifiez jamais la prise de quelque manière que ce soit. N'utilisez pas d'adaptateurs avec des outils électriques mis à la terre. Des fiches non modifiées et des prises assorties réduiront le risque de choc électrique.
- b) Évitez tout contact corporel avec des surfaces mises à la terre ou mises à la terre, telles que des tuyaux, des radiateurs, des cuisinières et des réfrigérateurs. Il y a un risque accru de choc électrique si votre corps est mis à la terre ou mis à la terre.
- c) N'utilisez pas / n'exposez pas les outils électriques par mauvais temps ou dans des conditions humides. Surtout lorsqu'il y a un risque de foudre. Cela diminue le risque d'être frappé par la foudre.
- d) Pour réduire le risque d'électrocution, n'utilisez jamais les outils extensibles à proximité de lignes électriques. Le contact avec les lignes électriques peut causer des blessures graves ou un choc électrique entraînant la mort.
- e) N'abusez pas du cordon. N'utilisez jamais le cordon pour transporter, tirer ou débrancher l'outil électrique. Gardez le cordon à l'abri de la chaleur, de l'huile, des arêtes vives ou des pièces mobiles. Les cordons endommagés ou emmêlés augmentent le risque de choc électrique.
- f) Lorsque vous utilisez un outil électrique à l'extérieur, utilisez une rallonge adaptée à une utilisation en extérieur. L'utilisation d'un cordon adapté à une utilisation en extérieur réduit le risque de choc électrique.
- g) Si l'utilisation d'un outil électrique dans un endroit humide est inévitable, utilisez une alimentation protégée par un dispositif à courant résiduel (RCD). L'utilisation d'un RCD réduit le risque de choc électrique.
- h) Avant utilisation, vérifiez que le câble n'est pas endommagé, remplacez-le s'il présente des signes de dommages ou de vieillissement.
- i) N'utilisez pas le produit si les câbles électriques sont endommagés ou usés.
- j) Débranchez immédiatement l'alimentation électrique du secteur si le câble est coupé ou si l'isolation est endommagée. Ne touchez pas le câble électrique tant que l'alimentation électrique n'a pas été débranchée.
- k) Votre câble électrique doit être démêlé ; Les câbles emmêlés peuvent surchauffer et réduire l'efficacité de votre produit.
- l) Coupez toujours le secteur avant de débrancher une fiche, un connecteur de câble ou une rallonge.
- m) Éteignez, débranchez la fiche du secteur et examinez que le câble d'alimentation électrique n'est pas endommagé ou vieillissant avant d'enrouler le câble pour le ranger. Ne réparez pas un câble endommagé, remplacez-le par un neuf.
Enroulez toujours le câble avec soin, en évitant de le plier.
- n) Utilisez uniquement sur le vol d'alimentation secteur indiqué sur l'étiquette signalétique du produit.

3) Sécurité personnelle

- a) Restez vigilant, surveillez ce que vous faites et faites preuve de bon sens lorsque vous utilisez un outil électrique. N'utilisez pas un outil électrique lorsque vous êtes fatigué ou sous l'influence de drogues, d'alcool ou de médicaments. Un moment d'inattention lors de l'utilisation d'outils électriques peut entraîner des blessures graves.
- b) Utilisez un équipement de protection individuelle. Portez toujours des lunettes de protection. L'utilisation d'équipements de protection tels qu'un masque anti-poussière, des chaussures de sécurité antidérapantes, un casque de sécurité ou une protection auditive dans des conditions appropriées réduira les blessures.
- c) Empêchez tout démarrage involontaire. Assurez-vous que l'interrupteur est en position d'arrêt avant de brancher l'outil à une source d'alimentation, de le soulever ou de le transporter. Ne transportez pas d'outils électriques avec le doigt sur l'interrupteur ou dont l'interrupteur est en position marche, car cela pourrait provoquer des accidents.
- d) Retirez toute clé de réglage ou clé avant de mettre l'outil électrique en marche. Une clé ou une clé laissée attachée à une pièce rotative des outils électriques peut entraîner des blessures.
- e) Portez toujours des vêtements appropriés, des gants et des chaussures solides.
Ne portez pas de vêtements amples ou de bijoux. Gardez vos cheveux, vos vêtements et vos gants à l'écart des mouvements. Les vêtements amples, les bijoux ou les cheveux longs peuvent se coincer dans les pièces mobiles.
- f) Inspectez soigneusement la zone où le produit doit être utilisé et retirez tous les fils et autres objets étrangers.
- g) Tous les réglages (rotation de l'unité de lame, inclinaison de la tête de la lame) doivent être effectués avec la gaine/le couvercle de protection en place, et le taille-haie ne doit pas reposer sur la lame dans le processus.
- h) Avant d'utiliser la machine et après tout impact, vérifiez qu'il n'y a pas de signes d'usure ou de dommages et réparez-le si nécessaire.
- i) N'essayez jamais d'utiliser un produit incomplet ou avec une modification non autorisée.
- j) Ne vous étendez pas trop. Gardez une bonne assise et un bon équilibre en tout temps. Cela permet un meilleur contrôle de l'outil électrique dans des situations inattendues.

- k) Si des appareils sont prévus pour le raccordement d'installations d'extraction et de collecte de poussière, assurez-vous qu'ils sont connectés et correctement utilisés. L'utilisation d'un dépoussiérage peut réduire les risques liés à la poussière.
- l) Ne pas utiliser sur ou à proximité d'échelles.
- m) Si le produit de jardin heurte un objet, arrêtez-vous immédiatement, éteignez et débranchez l'alimentation secteur. Vérifiez que le produit n'est pas endommagé et réparez-le avant de continuer à l'utiliser.

4) Utilisation et entretien des outils électriques

- a) Ne forcez pas l'outil électrique. Utilisez l'outil électrique adapté à votre application. Le bon outil électrique fera le travail mieux et plus sûrement à la vitesse pour laquelle il a été conçu.
- b) N'utilisez pas l'outil électrique si l'interrupteur ne l'allume pas et ne l'éteint pas. Tout outil électrique qui ne peut pas être contrôlé avec l'interrupteur est dangereux et doit être réparé.
- c) Débranchez la fiche de la source d'alimentation de l'outil électrique avant d'effectuer tout réglage, de changer d'accessoire ou de ranger l'outil électrique. Ces mesures de sécurité préventives réduisent le risque de démarrage accidentel de l'outil électrique.
- d) Rangez les outils électriques inutilisés hors de la portée des enfants et ne laissez personne non familiarisé avec l'outil électrique ou ces instructions utiliser l'outil électrique. Les outils électriques sont dangereux entre les mains d'utilisateurs non formés.
- e) Entretenez les outils électriques. Vérifiez qu'il n'y a pas de désalignement ou de grippage des pièces mobiles, de casse des pièces et de toute autre condition susceptible d'affecter le fonctionnement de l'outil électrique. S'il est endommagé, faites réparer l'outil électrique avant de l'utiliser. De nombreux accidents sont causés par des outils électriques mal entretenus.
- f) Gardez les outils de coupe affûtés et propres. Les outils de coupe correctement entretenus avec des arêtes de coupe tranchantes sont moins susceptibles de se coincer et sont plus faciles à contrôler.
- g) Utilisez l'outil électrique, les accessoires et les embouts, etc. conformément à ces instructions, en tenant compte des conditions de travail et du travail à effectuer. L'utilisation de l'outil électrique pour des opérations différentes de celles prévues peut entraîner une situation dangereuse.

5. Nettoyage et entretien

Faites entretenir votre outil électrique par un réparateur qualifié en utilisant uniquement un remplacement identique

Pièces. Cela garantira que la sécurité de l'outil électrique est maintenue.

Avant tout travail sur l'appareil lui-même, débranchez la fiche d'alimentation. Pour un travail sûr et efficace, gardez toujours l'appareil et ses fentes de ventilation propres.

Si l'appareil tombe en panne malgré le soin apporté à la fabrication et aux tests, la réparation doit être effectuée par un agent du service après-vente agréé pour les outils électriques.

CÂBLAGE DE PRISE (ROYAUME-UNI ET IRLANDE))

Cet appareil est équipé d'une prise BS 1363 à fusible.

Si vous devez remplacer le fusible, n'utilisez que le même ampérage de fusible que celui monté dans la fiche. Des fusibles ASTA, BSI ou NEMKO approuvés selon BS1362 doivent être utilisés.

S'il y a un couvercle de fusible installé, ce couvercle doit être remonté après avoir changé le fusible. Si le couvercle du fusible est perdu ou endommagé, la fiche ne doit pas être utilisée. Des porte-fusibles et des fusibles de rechange sont disponibles dans les prises électriques. Si les prises de courant de votre maison ou de votre bureau ne conviennent pas à la fiche de ce produit, la fiche doit être retirée et éliminée en toute sécurité. Toute tentative d'insérer la fiche dans la mauvaise prise est susceptible de provoquer un risque électrique. Si la fiche recâblée est endommagée, une prise de remplacement doit être câblée conformément aux instructions suivantes:

CÂBLAGE DE PRISE (ROYAUME-UNI ET IRLANDE))

Cet appareil est fourni avec un adaptateur secteur/chargeur avec broches BS1363.

NE PAS utiliser si les prises de courant de votre maison ou de votre bureau ne conviennent pas aux broches de l'adaptateur secteur/chargeur de ce produit. Toute tentative d'insérer l'adaptateur secteur/chargeur dans la mauvaise prise est susceptible de provoquer un risque ou des dommages électriques.

NE PAS utiliser avec un autre transformateur/chargeur secteur que celui fourni avec ce produit.

INSTRUCTIONS D'ENTRETIEN ET DE NETTOYAGE

- Éteignez et débranchez toujours avant de nettoyer.
- Ne PAS immerger dans l'eau. Risque d'électrocution.
- N'utilisez PAS de nettoyeurs abrasifs ou d'ustensiles tranchants pour nettoyer cet appareil.
- Essuyez les surfaces avec un chiffon doux et sec.
- Laisser sécher complètement avant de poursuivre l'utilisation.
- Rangez l'appareil dans un endroit frais et sec.


DISPOSITION

Nous utilisons des emballages recyclables ou recyclés dans la mesure du possible

Veuillez éliminer tous les emballages conformément aux réglementations de recyclage de votre autorité locale

À la fin de la durée de vie du produit, vérifiez auprès de votre centre de recyclage des déchets ménagers agréé par votre mairie pour l'élimination.

Sacs en plastique : ils sont fabriqués à partir du plastique recyclable suivant

Code et symbole	
Type de plastique	Polyéthylène basse densité

DÉCLARATION DE CONFORMITÉ AU ROYAUME-UNI ET DANS L'UE

Nous, Coopers of Stortford, déclarons par la présente, sous notre seule responsabilité, que le produit nommé ci-dessous a été conçu pour être conforme à toutes les sections pertinentes des normes et directives référencées ci-dessous: -

Description et numéro d'article: 2000W 'WEEDBLAZE' DÉSHÉRBANT ÉLECTRIQUE BURNER R019
N° de modèle: PAR-EWB2000-A01

Conforme aux réglementations britanniques et aux directives de l'UE suivantes: -

- Le règlement de 2016 sur les équipements électriques (sécurité) et la directive basse tension 2014/35/UE.
- Règlement sur la compatibilité électromagnétique 2016 et directive CEM 2014/30/UE.
- Réglementation sur la restriction des substances dangereuses (RoHS) et directives RoHS 2011/65/UE et 2015/863/UE.

La procédure d'évaluation de la conformité suivie était conforme aux normes suivantes:-

Sécurité électrique Directive LVD Normes

EN 60335-1 : 2012 + A11 : 2014 + A13 : 2017 +A1 : 2019 + A14 : 2019 + A2 : 2019 + A15 : 2021 + A16 : 2023

EN 60335-2-45:2002 + A1:2008 + A2:2012+ A11:2023

Normes CEM:

EN 61000-3-3:2013+ A1:2019+A2:2021

ENIEC 55014-1:2021

EN IEC 55014-2:2021

EN IEC 61000-3-2:2019+A1:2021

Normes RoHS :

(UE) 2015/863 modifiant 2011/65/UE.

Les rapports de test de cet article sont disponibles à l'adresse suivante ::

Coopers of Stortford, 11 Bridge Street, Bishop's Stortford, Hertfordshire, CM23 2JU

ČESKÝ NÁVOD



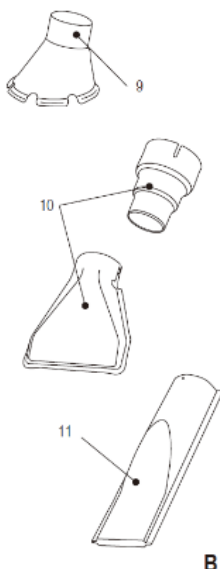
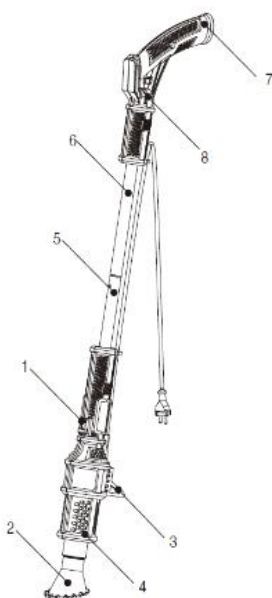
Podrobnosti o napájení:

Podrobnosti o napětí: 220-240V

Podrobnosti o příkonu: 2000W

Podrobnosti o frekvenci: 50-60 Hz

Teplota: °C:I: 80 II: 650



1. Vypínač napájení
2. Tryska horkého vzduchu
3. Stát
4. Větrací otvory
5. Připojení prodlužovací rukojeti
6. Prodlužovací rukojeť
7. Klika
8. Držák kabelu

Trysky

9. Tryska na hubení plevele
10. Trysky pro odstraňování nátěru
11. Tryska pro gril/krbový zapalovač

Použití: Tato položka vyžaduje k bezpečnému používání obě ruce.

Před spuštěním si prosím důkladně přečtete tento návod k obsluze a ujistěte se, že jste obeznámeni s provozem vašeho nového 2000W ELEKTRICKÉHO HOŘÁKU NA PLEVEL "WEEDBLAZE"

DOPORUČENO PRO OSOBY STARŠÍ 18 LET.

VŽDY POUŽÍVEJTE PROSTŘEDKY NA OCHRANU HLAVY, OČÍ A SLUCHU A BEZPEČNOSTNÍ OBUV A RUKAVICE

Návod k použití

- 1) Zasuňte napájecí zástrčku do zásuvky 230 V a položte hořák na plevel na rovný a stabilní povrch pomocí stojanu předem namontovaného na předmětu.
- 2) Přepněte vypínač napájení do polohy Pos. I, po dobu 1 minuty, aby se horkovzdušná pistole začala zahřívat.
- 3) Přepněte hlavní vypínač do polohy Pos. II, čímž zvýšíte teplotu a počkejte 30 sekund.
- 4) Poté zvedněte 2 rukama a držte hlavu hořáku na plevel nad plevelem a pomalu se otáčejte kolem plevele po dobu asi 3 sekund. Pro dosažení nejlepších výsledků umístěte hlavu hořáku na plevel přímo nad plevel.
- 5) Po dokončení přepněte vypínač napájení do polohy Pos. Opět položím na stabilní povrch na 1 minutu, aby hořák na plevel trochu vychladl, **stále se nedotýkejte kovové vzduchové trysky.**
- 6) Otočte hlavní vypínač do polohy O a ponechte jej, dokud zcela nevychladne.
Pouze pro domácí použití. Ideální pro vypalování plevele na cestách, terasách, příjezdových cestách a okrajích. Dávejte pozor, abyste nespálili rostliny a květiny.

NEDOPORUČUJE SE POUŽÍVAT NA TRÁVNÍKY. MŮŽE ZPŮSOBIT POŠKOZENÍ POPÁLENINAMI.

Instalace trysky

Každou trysku lze snadno vytáhnout a zatlačit přes horkovzdušnou trysku.

Nikdy se nedotýkejte trysek během nebo bezprostředně po použití zařízení.

Sestavte prodlužovací rukojeť:

Prodlužovací rukojeť se skládá ze dvou částí. Spojte obě části a připevněte prodlužovací rukojeť k zařízení. Chcete-li připevnit prodlužovací rukojeť, umístěte prodlužovací tyč do stroje a otočte prodlužovací rukojeť o čtvrt otáčky doprava. Ujistěte se, že prodlužovací rukojeť pevně zapadla na místo.

Pokud používáte zařízení jako prostředek na hubení plevelů, musíte použít prodlužovací rukojeť. Držte přípravek na hubení plevelů pevně za konec prodlužovací rukojeti.

Ujistěte se, že je prodlužovací rukojeť pevně připevněna k zařízení a že je zařízení vypnuté.

Odstraňování nátěru

Odlakování lze použít k různým účelům, např.:

- Odstranění starého nátěru a lesku.
- Odstranění samolepicích etiket.
- Lepení PVC etiket.
- Odstranění vinylových tapet.
- Rychlé schnutí vlhkého zařízení.
- Smršťovací obaly.
- Odmrazování vodovodního potrubí.
- Povolování matic a šroubů.

Odlakování se provádí vždy bez použití prodlužovací rukojeti.

Zapalovač na gril/ohništi

Grilovací a krbový zapalovač se vždy smí používat bez prodlužovací rukojeti.

- Vyjměte prodlužovací rukojeť vytažením pojistného kroužku a otočením prodlužovací rukojeti o čtvrt otáčky doleva.
- Připojte grilovací trysku (11) k zařízení
- Umístěte hubici pod uhlí nebo dřevo.
- Ujistěte se, že je podpalovač správně umístěn
- Zasuňte zástrčku do zásuvky.
- Před zapnutím zařízení do nastavení II zkontrolujte, zda není tryska ucpaná.
- Vyjměte zařízení z uhlíků nebo dřeva, jakmile začne žhnout
- Nyní foukejte horký vzduch do uhlíků nebo dřeva ze vzdálenosti asi 5 - 10 cm, dokud uhlíky nebo dřevo správně nehoří.
- Pokud tak učiníte, pomůže to zabránit poškození nástavce trysky. Vystavení trysky vysokým teplotám po delší dobu by mohlo způsobit roztavení materiálu. Postupujte podle těchto pokynů, abyste dosáhli dlouhodobého požitku z produktu.
- Před vyjmutím z ohně zařízení vypněte.

Dávat si pozor! Abyste předešli přehřátí grilu nebo krbu, nepoužívejte zařízení déle, než je nutné.

VYCHLADNUTÍ

Pomocí stojanu (2) je možné odložit spotřebič během chlazení.

- Nechte zařízení běžet alespoň jednu minutu v poloze I.
- Vypněte zařízení.
- Vytáhněte zástrčku ze zásuvky.
- Nechte spotřebič dále vychladnout.
- Odstraňte příslušenství.



Upozornění! Pečlivě si přečtěte tento návod k obsluze a dodržujte uvedené pokyny. Pomocí tohoto návodu k obsluze se seznámte s nůžkami na živý plot, jejich správným používáním a bezpečnostními pokyny.



Z bezpečnostních důvodů nesmí tento tyčový nůžky na živý plot používat osoby mladší 18 let a osoby, které nejsou seznámeny s tímto návodem k obsluze. Osoby se sníženou fyzickou nebo duševní způsobilostí mohou tyčové nůžky na živý plot používat pouze pod dohledem nebo po proškolení odpovědnou osobou.



Při nesprávném použití může být tento výrobek nebezpečný. Pro zajištění přiměřené bezpečnosti a účinnosti při používání tohoto výrobku je nutné dodržovat varování a bezpečnostní pokyny.

Vysvětlení varování a symbolů na vašem výrobku.

	VAROVÁNÍ!
	Přečtěte si pozorně pokyny k použití, abyste se ujistili, že rozumíte všem ovládacím prvkům a tomu, co dělají.
	Pokud je kabel poškozený nebo přeríznutý, okamžitě vytáhněte zástrčku ze sítě.
	Nevystavujte dešti. Nenechávejte výrobek venku, když prší.
	Doporučuje se používat ochranu očí.
	Je nutné nosit ochranu hlavy.
	Uchovávejte mimo dosah elektrických kabelů, ať už nad hlavou, na zemi nebo podél venkovních budov.

1) Bezpečnost pracovního prostoru

Výrobek používejte pouze způsobem a pro funkce popsané v tomto návodu.

Obsluha nebo uživatel je odpovědný za nehody nebo nebezpečí pro jiné osoby nebo jejich majetek.

- Udržujte pracovní prostor čistý a dobře osvětlený. Nepořádek nebo tmavé oblasti lákají k nehodám. Před použitím tohoto nástroje odstraňte z pracovního prostoru všechny kameny, listí, větvičky, větve, nečistoty.
- Nepracujte s elektrickým nářadím ve výbušném prostředí, například v přítomnosti hořlavých kapalin, plynů nebo prachu. Elektrické nářadí vytváří jiskry, které mohou zapálit prach nebo výpary.
- Při práci s elektrickým nářadím udržujte děti a kolemjdoucí v bezpečné vzdálenosti. Rozptylování může způsobit ztrátu kontroly.

2) Elektrická bezpečnost

- a) Zástrčky elektrického nářadí musí odpovídat zásuvce. Nikdy zástrčku žádným způsobem neupravujte. S uzemněným elektrickým nářadím nepoužívejte žádné adaptérové zástrčky. Neupravené zástrčky a odpovídající zásuvky snižují riziko úrazu elektrickým proudem.
- b) Vyvarujte se tělesného kontaktu s uzemněnými povrchy, jako jsou potrubí, radiátory, sporáky a chladničky. Pokud je vaše tělo uzemněno, existuje zvýšené riziko úrazu elektrickým proudem.
- c) Nepoužívejte / nevystavujte elektrické nářadí za špatného počasí nebo ve vlhkých podmínkách. Zvláště když hrozí nebezpečí blesku. Tím se snižuje riziko zasažení bleskem.
- d) Abyste snížili riziko úrazu elektrickým proudem, nikdy nepoužívejte výsvcné nářadí v blízkosti elektrického vedení. Kontakt s elektrickým vedením může způsobit vážné zranění nebo úraz elektrickým proudem s následkem smrti.
- e) Nezneužívejte kabel. Nikdy nepoužívejte kabel k přenášení, tahání nebo odpojování elektrického nářadí. Chraňte kabel před teplem, olejem, ostrými hranami nebo pohyblivými částmi. Poškozené nebo zamotané kabely zvyšují riziko úrazu elektrickým proudem.
- f) Při práci s elektrickým nářadím venku používejte prodlužovací kabel vhodný pro venkovní použití. Použití kabelu vhodného pro venkovní použití snižuje riziko úrazu elektrickým proudem.
- g) Pokud používáte elektrické nářadí v reklaměamp umístění je nevyhnutelné, použijte zdroj chráněný proudovým chráničem (RCD). Použití proudového chrániče snižuje riziko úrazu elektrickým proudem.
- h) Před použitím zkontrolujte kabel, zda není poškozený, vyměňte jej, pokud vykazuje známky poškození nebo stárnutí.
- i) Výrobek nepoužívejte, pokud jsou elektrické kabely poškozené nebo opotřebené.
- j) Pokud je kabel přefříznutý nebo je poškozena izolace, okamžitě jej odpojte od elektrické sítě. Nedotýkejte se elektrického kabelu, dokud nebude odpojeno elektrické napájení.
- k) Váš elektrický kabel musí být rozmotaný; Zamotané kabely se mohou přehřát a snížit účinnost vašeho produktu.
- l) Před odpojením jakékoli zástrčky, kabelového konektoru nebo prodlužovacího kabelu vždy vypněte síť.
- m) Před navíjením kabelu pro skladování jej vypněte, vytáhněte zástrčku ze sítě a zkontrolujte, zda není poškozený nebo zastaralý. Poškozený kabel neopravujte, vyměňte jej za nový.
Kabel vždy navíjejte opatrně, aby nedošlo k zalomení.
- n) Používejte pouze se síťovým napájením střídavého napětí uvedeného na typovém štítku produktu.

3) Osobní bezpečnost Osobní bezpečnost

- a) Buďte ve střehu, sledujte, co děláte, a při práci s elektrickým nářadím používejte zdravý rozum. Elektrické nářadí nepoužívejte, pokud jste unavení nebo pod vlivem drog, alkoholu nebo léků. Chvilka nepozornosti při práci s elektrickým nářadím může vést k vážnému zranění osob.
- b) Používejte osobní ochranné prostředky. Vždy používejte ochranu očí. Ochranné prostředky, jako je protiprachová maska, protiskluzová bezpečnostní obuv, přilba nebo ochrana sluchu používané ve vhodných podmínkách, snižují zranění osob.
- c) Zabráňte neúmyslnému spuštění. Před připojením k napájecímu zdroji, zvednutím nebo přenášením nástroje se ujistěte, že je spínač v poloze vypnuto. Nepřenášejte elektrické nářadí s prstem na spínači nebo elektrické nářadí, které má spínač zapnutý, protože to může vést k nehodám.
- d) Před zapnutím elektrického nářadí odstraňte seřizovací klíč nebo klíč. Klíč nebo klíč ponechaný připevněný k rotující části elektrického nářadí může způsobit zranění osob.
- e) Vždy noste vhodné oblečení, rukavice a pevnou obuv.
Nenoste volné oblečení nebo šperky. Chraňte své vlasy, oděv a rukavice před pohybem částí. Volné oblečení, šperky nebo dlouhé vlasy mohou být zachyceny pohyblivými částmi.
- f) Důkladně zkontrolujte oblast, kde chcete výrobek používat, a odstraňte všechny vodiče a jiné cizí předměty.
- g) Všechna nastavení (otáčení nožové jednotky, naklonění hlavy nože) musí být provedena s nasazeným pláštěm/ochranným krytem a nůžky na živý plot nesmí během procesu spočívat na noži.
- h) Před použitím stroje a po jakémkoli nárazu zkontrolujte, zda nejsou známky opotřebení nebo poškození, a v případě potřeby jej opravte.
- i) Nikdy se nepokoušejte použít neúplný produkt nebo produkt s neoprávněnými úpravami.
- j) Nepřekračujte dosah. Vždy si udržujte správný postoj a rovnováhu. To umožňuje lepší kontrolu nad elektrickým nářadím v neočekávaných situacích.
- k) Pokud jsou k dispozici zařízení pro připojení zařízení na odsávání a sběr prachu, ujistěte se, že jsou připojena a správně používána. Použití odsávání prachu může snížit nebezpečí související s prachem.
- l) Nepoužívejte na žebřících nebo v jejich blízkosti.
- m) Pokud zahradní výrobek narazí na předmět, okamžitě jej zastavte, vypněte a odpojte od elektrické sítě. Před dalším používáním zkontrolujte, zda není výrobek poškozený a zda není opraven.

4) Použití a péče o elektrické nářadí

- a) Na elektrické nářadí netlačte silou. Používejte správné elektrické nářadí pro vaše použití. Správné elektrické nářadí bude vykonávat práci lépe a bezpečněji při míře, pro kterou bylo navrženo.
- b) Elektrické nářadí nepoužívejte, pokud jej nelze zapnout a vypnout vypínačem. Jakékoli elektrické nářadí, které nelze ovládat vypínačem, je nebezpečné a musí být opraveno.
- c) Před prováděním jakýchkoli úprav, výměnou příslušenství nebo uskladněním elektrického nářadí odpojte zástrčku ze zdroje napájení. Taková preventivní bezpečnostní opatření snižují riziko náhodného spuštění elektrického nářadí.
- d) Nepoužívané elektrické nářadí skladujte mimo dosah dětí a nedovolte nikomu, kdo není obeznámen s elektrickým nářadím nebo s těmito pokyny, aby s elektrickým nářadím pracoval. Elektrické nářadí je v rukou neškolených uživatelů nebezpečné.
- e) Pečujte o elektrické nářadí. Zkontrolujte, zda nejsou pohyblivé části vychýleny nebo zablokovány, zda nejsou části zlomené a zda nejsou jiné podmínky, které by mohly ovlivnit provoz elektrického nářadí. Pokud je elektrické nářadí poškozené, nechte jej před použitím opravit. Mnoho nehod je způsobeno špatně udržovaným elektrickým nářadím.
- f) Řezné nástroje udržujte ostré a čisté. Správně udržované řezné nástroje s ostrými řeznými hranami se méně zasekávají a snáze se ovládají.
- g) Používejte elektrické nářadí, příslušenství, nástroje atd. v souladu s těmito pokyny, s ohledem na pracovní podmínky a práci, kterou budete provádět. Použití elektrického nářadí k jiným účelům, než ke kterým je určeno, může vést k nebezpečné situaci.

5. Čištění a údržba

Nechte své elektrické nářadí opravit kvalifikovaným opravářem pouze s identickou náhradou části. Tím zajistíte zachování bezpečnosti elektrického nářadí.

Před jakoukoli prací na samotné jednotce vytáhněte zástrčku ze zásuvky. Pro bezpečnou a efektivní práci udržujte jednotku a její větrací otvory vždy čisté.

Pokud by jednotka selhala i přes péči věnovanou výrobě a testování, měla by být oprava provedena autorizovaným zákaznickým servisním zástupcem elektrického nářadí.

ZAPOJENÍ ZÁSTRČKY (VELKÁ BRITÁNIE A IRSKO)

Tento spotřebič je vybaven pojistkou BS 1363.

Pokud musíte vyměnit pojistku, použijte pouze stejnou pojistku amperáž jako je zabudovaná v zástrčce. Měly by být použity pojistky ASTA, BSI nebo NEMKO schválené podle BS1362.

Pokud je namontován kryt pojistky, je nutné tento kryt po výměně pojistky znovu namontovat. Pokud dojde ke ztrátě nebo poškození krytu pojistky, zástrčka se nesmí používat. Náhradní držáky pojistek a pojistky jsou k dispozici v elektrických zásuvkách. Pokud zásuvky ve vaší domácnosti nebo kanceláři nejsou vhodné pro zástrčku tohoto produktu, je nutné zástrčku vyjmout a bezpečně zlikvidovat. Pokusy o zasunutí zástrčky do nesprávné zásuvky pravděpodobně způsobí úraz elektrickým proudem. Pokud je přepojitelná zástrčka poškozená, měla by být zapojena náhradní zástrčka podle následujících pokynů:

ZAPOJENÍ ZÁSTRČKY (VELKÁ BRITÁNIE A IRSKO)

Tento spotřebič je dodáván se síťovým adaptérem/nabíječkou se zástrčkovými kolíky BS1363.

NEPOUŽÍVEJTE, pokud zásuvky ve vaší domácnosti nebo kanceláři nejsou vhodné pro kolíky síťového adaptéru/nabíječky tohoto produktu. Pokusy o zasunutí síťového adaptéru/nabíječky do nesprávné zásuvky pravděpodobně způsobí úraz elektrickým proudem nebo poškození.

NEPOUŽÍVEJTE s žádným jiným síťovým transformátorem/nabíječkou než s tím, který je dodáván s tímto produktem.

POKYNY PRO PÉČI A ČIŠTĚNÍ

- Před čištěním vždy vypněte a odpojte ze zásuvky.
- **NEPONOŘUJTE** do vody. Nebezpečí úrazu elektrickým proudem.
- K čištění tohoto spotřebiče **NEPOUŽÍVEJTE** abrazivní čisticí prostředky ani ostré náčiní.
- Povrchy otřete měkkým suchým hadříkem.
- Před dalším použitím nechte důkladně zaschnout.
- Spotřebič skladujte na chladném a suchém místě.


LIKVIDACE

Tam, kde je to možné, používáme recyklovatelné nebo recyklované obaly

Zlikvidujte prosím všechny obaly v souladu s předpisy místního úřadu o recyklaci

Na konci životnosti výrobku zkontrolujte likvidaci u autorizovaného střediska pro recyklaci domovního odpadu místní rady.

Plastové sáčky – jsou vyrobeny z následujícího recyklovatelného plastu

Kód & Symbol	
Typ plastu	Polyetylen s nízkou hustotou

PROHLÁŠENÍ O SHODĚ PRO SPOJENÉ KRÁLOVSTVÍ A EU

My, společnost Coopers of Stortford, tímto na svou výhradní odpovědnost prohlašujeme, že níže uvedený produkt byl navržen tak, aby vyhovoval všem příslušným částem níže uvedených norem a směrnic: -

Popis a číslo položky: 2000W 'WEEDBLAZE' ELEKTRICKÝ PLEVEL BURNER R019
Model č: BY-EWB2000-A01 řekl:

Vyhovuje následujícím předpisům Spojeného království a směrnicím EU: -

- Předpisy pro elektrická zařízení (bezpečnost) 2016 a Low Voltage Směrnice 2014/35/EU.
- Nařízení o elektromagnetické kompatibilitě 2016 a směrnice EMC 2014/30/EU.
- Nařízení o omezení nebezpečných látek (RoHS) a směrnice RoHS 2011/65/EU a 2015/863/EU.

Použitý postup posuzování shody byl v souladu s následujícími normami:-

Elektrická bezpečnost Směrnice LVD Normy:

EN 60335-1: 2012 + A11: 2014 + A13:2017 +A1: 2019 + A14: 2019 + A2: 2019 + A15: 2021 + A16: 2023

EN 60335-2-45:2002 + A1:2008 + A2:2012+ A11:2023

Normy EMC:

EN 61000-3-3:2013+ A1:2019+A2:2021

ENIEC 55014-1:2021

EN IEC 55014-2:2021

EN IEC 61000-3-2:2019+A1:2021

Normy RoHS: (EU) 2015/863 pozměňující 2011/65/EU.

Protokoly o zkouškách pro tuto položku jsou k dispozici na adrese:

Coopers of Stortford, 11 Bridge Street, Bishop's Stortford, Hertfordshire, CM23 2JU

SLOVENSKÉ INŠTRUKCIE



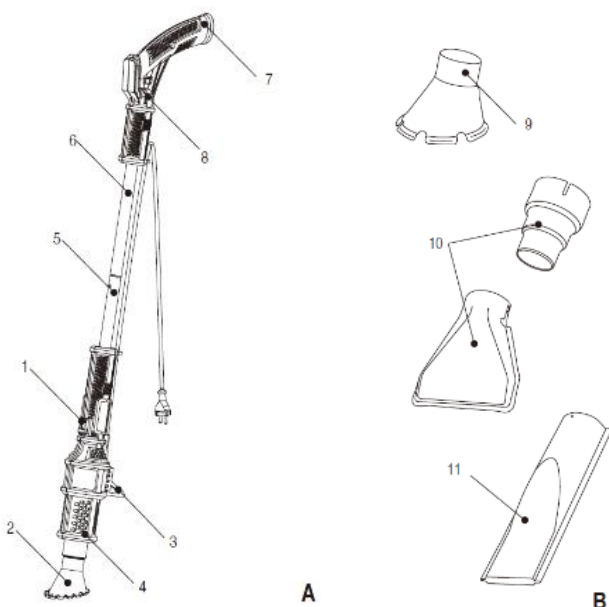
Podrobnosti o napájaní:

Údaje o napätí: 220–240 V

Údaje o príkone: 2000 W

Údaje o frekvencii: 50–60 Hz

Teplota: ° C: I: 80 II: 650



1. Vypínač
2. Teplovzdušná tryska
3. Stát
4. Vetracie otvory
5. Pripojenie predĺžovacej rukoväte
6. Predĺžovacia rukoväť
7. Držadlo
8. Držiak kábla

Dýzy

9. Tryska na ničenie buriny
10. Trysky na odstraňovanie laku
11. Tryska na zapalovač grilu/krbu

Použitie: Táto položka vyžaduje na bezpečné používanie dve ruky.

Pred spustením si pozorne prečítajte tento návod na obsluhu a uistite sa, že ste oboznámení s prevádzkou vášho nového 2000W ELEKTRICKÉHO HORÁKA NA BURINU "WEEDBLAZE"

ODPORÚČA SA PRE OSOBY STARŠIE AKO 18 ROKOV.

VŽDY POUŽÍVAJTE PROSTRIEDKY NA OCHRANU HLAVY, OČÍ A SLUCHU A BEZPEČNOSTNÚ OBUV A RUKAVICE

Návod na použitie

- 1) Zasuňte zástrčku do zásuvky 230 V a položte horák Weed na rovný stabilný povrch pomocou stojana vopred namontovaného na predmete.
- 2) Otočte hlavný vypínač do polohy Pos. I, na 1 minútu, aby sa teplovzdušná pištoľ začala zahrievať.
- 3) Otočte hlavný vypínač do polohy Poz. II, čím sa zvýši teplota a počkajte 30 sekúnd.
- 4) Potom zdvihnite 2 rukami a držte hlavu horáka buriny nad burinou a pomaly otáčajte okolo buriny asi 3 sekundy. Pre dosiahnutie najlepších výsledkov umiestnite hlavu horáka na burinu priamo nad burinu.
- 5) Po dokončení otočte hlavný vypínač do polohy Pos. Opäť položím na stabilný povrch na 1 minútu, aby horák na burinu trochu vychladol, **stále sa nedotýkam kovovej vzduchovej trysky.**
- 6) Otočte hlavný vypínač do polohy O a nechajte ho úplne vychladnúť.
Len na domáce použitie. Ideálne na spaľovanie buriny na chodníkoch, terasách, príjazdových cestách a hraniciach. Dávajte pozor, aby ste nespálili rastliny a kvety.

NEODPORÚČA SA POUŽÍVAŤ NA TRÁVNIKY. MÔŽE SPÔSOBIŤ POPÁLENINY.

Inštalácia trysky

Každú trysku je možné ľahko vytiahnuť a zatlačiť na teplovzdušnú trysku.

Nikdy sa nedotýkajte trysiek počas alebo bezprostredne po použití zariadenia.

Zostavte predĺžovaciú rukoväť:

Predĺžovacia rukoväť sa skladá z dvoch častí. Pripojte obe časti a pripevnite predĺžovaciú rukoväť k zariadeniu. Ak chcete pripevniť predĺžovaciú rukoväť, vložte predĺžovaciú tyč do stroja a otočte predĺžovaciú rukoväť o štvrt otáčky doprava. Uistite sa, že predĺžovacia rukoväť pevne zapadla na miesto.

Ak zariadenie používate ako prostriedok na ničenie buriny, musíte použiť predĺžovaciú rukoväť. Držte prostriedok na ničenie buriny pevne tak, že držíte koniec predĺžovacej rukoväte.

Uistite sa, že predĺžovacia rukoväť je pevne pripevnená k zariadeniu a že je zariadenie vypnuté.

Odstraňovanie náteru

Odstraňovanie farby je možné použiť na rôzne účely, ako napr:

- Odstránenie starého náteru a lesku.
- Odstránenie samolepiacich štítkov.
- Lepenie PVC etikiet.
- Odstránenie vinylových tapiet.
- Rýchle schnutie vlhkého zariadenia.
- Zmršťovacie obaly.
- Rozmrazovanie vodovodných potrubí.
- Uvoľnenie matíc a skrutiek.

Odstraňovanie farby sa vždy vykonáva bez použitia predĺžovacej rukoväte.

Zapaľovač na gril/krb

Zapaľovač na gril a krb sa musí vždy používať bez predĺžovacej rukoväte.

- Odstráňte predĺžovaciú rukoväť vytiahnutím poistného krúžku a otočením predĺžovacej rukoväte o štvrt otáčky doľava.
- Pripojte trysku na grilovanie (11) k zariadeniu
- Umiestnite trysku pod uhlie alebo drevo.
- Uistite sa, že je podpaľovač správne umiestnený
- Zasuňte zástrčku do zásuvky.
- Pred zapnutím zariadenia na nastavenie II skontrolujte, či tryska nie je zablokovaná.
- Odstráňte zariadenie z uhlia alebo dreva hneď, ako začne žiariť
- Teraz fúkajte horúci vzduch do uhlia alebo dreva zo vzdialenosti asi 5 - 10 cm, kým uhlie alebo drevo nebudú správne horieť.
- Pomôže to zabrániť poškodeniu nastavca trysky. Vystavenie trysky vysokým teplotám na dlhší čas môže spôsobiť roztavenie materiálu. Postupujte podľa týchto pokynov, aby ste dosiahli dlhodobý pôžitok z produktu.
- Pred vybratím z ohňa zariadenie vypnite.

Dávajte si pozor! Aby ste predišli prehriatiu grilu alebo krbu, nepoužívajte zariadenie dlhšie, ako je potrebné.

OCHLADZOVANIE

Pomocou stojana (2) je možné spotrebič položiť počas chladnutia.

- Nechajte zariadenie bežať aspoň jednu minútu v polohe I.
- Vypnite zariadenie.
- Vytiahnite zástrčku zo zásuvky.
- Nechajte spotrebič ďalej vychladnúť.
- Odstráňte príslušenstvo.



Upozornenie! Prečítajte si pozorne tento návod na obsluhu a dodržiavajte uvedené pokyny. Pomocou tohto návodu na obsluhu sa oboznámte s nožnicami na živý plot, ich správnym používaním a bezpečnostnými pokynmi.



Z bezpečnostných dôvodov nesmú tento tyčový nožnicový strihač používať deti mladšie ako 18 rokov a osoby, ktoré nie sú oboznámené s týmto návodom na obsluhu. Osoby so zníženou fyzickou alebo mentálnou spôsobilosťou môžu tyčový nožnicový strihač používať iba pod dohľadom alebo po poučení zodpovednou osobou.



Ak sa tento produkt nepoužíva správne, môže byť nebezpečný. Aby bola zaistená primeraná bezpečnosť a účinnosť pri používaní tohto produktu, je nutné dodržiavať varovania a bezpečnostné pokyny.

Vysvetlenie upozornení a symbolov na vašom produkte.

	VAROVANIE!
	Pozorne si prečítajte pokyny pre používateľa, aby ste sa uistili, že rozumiete všetkým ovládacím prvkom a tomu, čo robia.
	Ak je kábel poškodený alebo prerezaný, okamžite vytiahnite zástrčku zo siete.
	Nevystavujte dažďu. Nenechávajte výrobok vonku, keď prší.
	Odporúča sa používať ochranu očí.
	Musí sa nosiť ochrana hlavy.
	Uchovávajte mimo dosahu elektrických káblov, či už nad hlavou, na zemi alebo pozdĺž vonkajších budov.

1) Bezpečnosť pracovného priestoru

Výrobok používajte iba spôsobom a na funkcie popísané v tomto návode.

Prevádzkovateľ alebo používateľ je zodpovedný za nehody alebo nebezpečenstvá, ktoré sa vyskytnú iným osobám alebo ich majetku.

- Udržujte pracovný priestor čistý a dobre osvetlený. Neporiadok alebo tmavé oblasti môžu viesť k nehodám. Pred použitím tohto nástroja odstráňte z pracovného priestoru všetky kamene, listy, vetvičky, konáre, nečistoty.
- Nepracujte s elektrickým náradím vo výbušnom prostredí, napríklad v prítomnosti horľavých kvapalín, plynov alebo prachu. Elektrické náradie vytvára iskry, ktoré môžu zapáliť prach alebo výpary.
- Pri práci s elektrickým náradím držte deti a okolostojace osoby mimo dosahu. Rozptýlenie môže spôsobiť stratu kontroly.

2) Elektrická bezpečnosť

- a) Zástrčky elektrického náradia sa musia zhodovať so zásuvkou. Zástrčku nikdy žiadnym spôsobom neupravujte. S uzemneným elektrickým náradím nepoužívajte žiadne adaptérové zástrčky. Neupravené zástrčky a zodpovedajúce zásuvky znižujú riziko úrazu elektrickým prúdom.
- b) Zabráňte telesnému kontaktu s uzemnenými povrchmi, ako sú potrubia, radiátory, sporáky a chladničky. Ak je vaše telo uzemnené, existuje zvýšené riziko úrazu elektrickým prúdom.
- c) Elektrické náradie nepoužívajte/nevystavujte v zlom počasí alebo vlhkých podmienkach. najmä ak hrozí nebezpečenstvo blesku. Tým sa znižuje riziko zasiahnutia bleskom.
- d) Aby ste znížili riziko úrazu elektrickým prúdom, nikdy nepoužívajte výsuvné náradie v blízkosti elektrického vedenia. Kontakt s elektrickým vedením môže spôsobiť vážne zranenie alebo úraz elektrickým prúdom s následkom smrti.
- e) Nezneužívajte kábel. Kábel nikdy nepoužívajte na prenášanie, ťahanie alebo odpájanie elektrického náradia. Chráňte kábel pred teplom, olejom, ostrými hranami alebo pohyblivými časťami. Poškodené alebo zamreté káble zvyšujú riziko úrazu elektrickým prúdom.
- f) Pri práci s elektrickým náradím vonku používajte predlžovací kábel vhodný na vonkajšie použitie. Použitie kábla vhodného na vonkajšie použitie znižuje riziko úrazu elektrickým prúdom.
- g) Ak pracujete s elektrickým náradím v reklameamp miesto je nevyhnutné, použite napájanie chránené prúdovým chráničom (RCD). Použitie prúdového chrániča znižuje riziko úrazu elektrickým prúdom.
- h) Pred použitím skontrolujte kábel, či nie je poškodený, vymeňte ho, ak má známky poškodenia alebo starnutia.
- i) Výrobok nepoužívajte, ak sú elektrické káble poškodené alebo opotrebované.
- j) Ak je kábel prerazaný alebo je poškodená izolácia, okamžite odpojte od elektrickej siete. Nedotýkajte sa elektrického kábla, kým nie je odpojené elektrické napájanie.
- k) Váš elektrický kábel musí byť rozmotaný; zamotané káble sa môžu prehriať a znížiť účinnosť vášho produktu.
- l) Pred odpojením zástrčky, káblového konektora alebo predlžovacieho kábla vždy vypnite zo siete.
- m) Pred navíjaním kábla vypnite, vyťahnite zástrčku zo siete a skontrolujte elektrický napájací kábel, či nie je poškodený alebo nestarnutý na uskladnenie. Poškodený kábel neopravujte, vymeňte ho za nový. Kábel vždy navíjajte opatrne, aby ste zabránili zalomeniu.
- n) Používajte iba na sieťové napájanie striedavým prúdomtage uvedené na typovom štítku produktu.

3) Osobná bezpečnosť

- a) Buďte ostražití, sledujte, čo robíte, a pri práci s elektrickým náradím používajte zdravý rozum. Elektrické náradie nepoužívajte, ak ste unavení alebo pod vplyvom drog, alkoholu alebo liekov. Chvilka nepozornosti pri práci s elektrickým náradím môže viesť k vážnemu zraneniu osôb.
- b) Používajte osobné ochranné prostriedky. Vždy noste ochranu očí. Ochranné prostriedky, ako je protiprachová maska, protišmyková bezpečnostná obuv, prilba alebo chrániče sluchu používané vo vhodných podmienkach, znižia zranenia osôb.
- c) Zabráňte neúmyselnému spusteniu. Pred pripojením k zdroju napájania, zdvihnutím alebo prenášaním náradia sa uistite, že je vypínač v polohe vypnutia. Nenoste elektrické náradie s prstom na vypínači ani elektrické náradie, ktoré má vypínač zapnutý, pretože to môže viesť k nehodám.
- d) Pred zapnutím elektrického náradia odstráňte nastavovací kľúč alebo kľúč. Kľúč alebo kľúč ponechaný pripevnený k rotujúcej časti elektrického náradia môže spôsobiť zranenie osôb.
- e) Vždy noste vhodné oblečenie, rukavice a pevnú obuv.
Nenoste voľné oblečenie ani šperky. Udržujte vlasy, odev a rukavice mimo pohybu
Časti. Voľné oblečenie, šperky alebo dlhé vlasy sa môžu zachytiť pohyblivými časťami
- f) Dôkladne skontrolujte oblasť, kde sa má výrobok používať, a odstráňte všetky drôty a iné cudzie predmety.
- g) Všetky nastavenia (otáčanie nožovej jednotky, naklonenie hlavy noža) sa musia vykonávať s nasadeným krytom plášťa/ochranného krytu a nožnice na živý plot nesmú pritom spočívať na čepeli.
- h) Pred použitím stroja a po akomkoľvek náraze skontrolujte, či nevykazuje známky opotrebovania alebo poškodenia a v prípade potreby ho opravte.
- i) Nikdy sa nepokúšajte používať neúplný produkt alebo výrobok s neoprávnenou úpravou.
- j) Nepreháňajte sa. Vždy udržiajte správny postoj a rovnováhu. To umožňuje lepšiu kontrolu nad elektrickým náradím v neočakávaných situáciách.
- k) Ak sú k dispozícii zariadenia na pripojenie zariadení na odsávanie a zachytávanie prachu, uistite sa, že sú pripojené a správne používané. Použitie zachytávania prachu môže znížiť riziká súvisiace s prachom.
- l) Nepoužívajte na rebríkoch alebo v ich blízkosti.
- m) Ak záhradný výrobok narazí na predmet, okamžite zastavte, vypnite a odpojte od elektrickej siete. Pred ďalším používaním skontrolujte výrobok, či nie je poškodený a či nie je opravený.

4) Používanie a starostlivosť o elektrické náradie

- a) Elektrické náradie nepreťažujte. Používajte správne elektrické náradie pre vašu aplikáciu. Správne elektrické náradie vykoná prácu lepšie a bezpečnejšie pri rýchlosti, na ktorú bolo navrhnuté.
- b) Elektrické náradie nepoužívajte, ak ho vypínač nezapína a nevypína. Akékoľvek elektrické náradie, ktoré sa nedá ovládať vypínačom, je nebezpečné a musí sa opraviť.
- c) Pred vykonaním akýchkoľvek nastavení, výmenou príslušenstva alebo uskladnením elektrického náradia odpojte zástrčku z napájacieho zdroja. Takéto preventívne bezpečnostné opatrenia znižujú riziko náhodného spustenia elektrického náradia.
- d) Nepoužívané elektrické náradie skladujte mimo dosahu detí a nedovoľte nikomu, kto nie je oboznámený s elektrickým náradím alebo s týmito pokynmi, pracovať s elektrickým náradím. Elektrické náradie je v rukách neškolených používateľov nebezpečné.
- e) Udržujte elektrické náradie. Skontrolujte, či pohyblivé časti nie sú vychýlené alebo zaseknuté, či nie sú zlomené časti a iné podmienky, ktoré môžu ovplyvniť činnosť elektrického náradia. Ak je poškodené, nechajte elektrické náradie pred použitím opraviť. Mnohé nehody sú spôsobené zle udržiavaným elektrickým náradím.
- f) Rezné nástroje udržiavajte ostré a čisté. Správne udržiavané rezné nástroje s ostrými reznými hranami sa menej zasekávajú a ľahšie sa ovládajú.
- g) Elektrické náradie, príslušenstvo, náradie atď. používajte v súlade s týmito pokynmi, berúc do úvahy pracovné podmienky a prácu, ktorú chcete vykonať. Používanie elektrického náradia na iné účely, ako je určené, môže viesť k nebezpečnej situácii.

5. Čistenie a údržba

Nechajte svoje elektrické náradie opraviť kvalifikovaným opravárom, ktorý použije iba identickú náhradu časti. Tým sa zabezpečí zachovanie bezpečnosti elektrického náradia.

Pred akýmikoľvek prácami na samotnej jednotke vytiahnite zástrčku. Pre bezpečnú a efektívnu prácu udržiavajte jednotku a jej vetracie otvory vždy čisté.

Ak jednotka zlyhá napriek starostlivosti vynaloženej pri výrobe a testovaní, opravu by mal vykonať autorizovaný servisný zástupca elektrického náradia.

ZAPOJENIE ZÁSTRČKY (SPOJENÉ KRÁĽOVSTVO A ÍRSKO)

Tento spotrebič je vybavený poistkovou zástrčkou BS 1363.

Ak musíte vymeniť poistku, použite iba rovnakú poistku amperage ako tá namontovaná v zástrčke. Mali by sa použiť buď poistky ASTA, BSI alebo NEMKO schválené podľa BS1362.

Ak je namontovaný kryt poistky, musí sa tento kryt po výmene poistky znova nasadiť. Ak dôjde k strate alebo poškodeniu krytu poistky, zástrčka sa nesmie používať. Náhradné držiaky poistiek a poistky sú k dispozícii z elektrických zásuviek. Ak zásuvky vo vašej domácnosti alebo kancelárii nie sú vhodné pre zástrčku tohto produktu, zástrčka musí byť vytiahnutá a bezpečne zlikvidovaná. Pokusy o zasunutie zástrčky do nesprávnej zásuvky pravdepodobne spôsobia úraz elektrickým prúdom. Ak je prepojiteľná zástrčka poškodená, mala by sa zapojiť náhradná zástrčka podľa nasledujúcich pokynov:

ZAPOJENIE ZÁSTRČKY (SPOJENÉ KRÁĽOVSTVO A ÍRSKO)

Tento spotrebič sa dodáva so sieťovým adaptérom/nabíjačkou so zástrčkovými kolíkmi BS1363.

NEPOUŽÍVAJTE, ak zásuvky vo vašej domácnosti alebo kancelárii nie sú vhodné pre kolíky zástrčky sieťového adaptéra/nabíjačky tohto produktu. Pokusy o vloženie sieťového adaptéra/nabíjačky do nesprávnej zásuvky pravdepodobne spôsobia úraz elektrickým prúdom alebo poškodenie.


NEPOUŽÍVAJTE so žiadnym iným sieťovým transformátorom/nabíjačkou, ako je ten, ktorý je dodávaný s týmto produktom.

POKYNY NA STAROSTLIVOSŤ A ČISTENIE

- Pred čistením vždy vypnite a odpojte.
- NEPONÁRAJTE do vody. Nebezpečenstvo úrazu elektrickým prúdom.
- Na čistenie tohto spotrebiča NEPOUŽÍVAJTE abrazívne čistiace prostriedky ani ostré náčinie.
- Povrchy utrite mäkkou suchou handričkou.
- Pred ďalším použitím nechajte dôkladne vyschnúť.
- Spotrebič skladujte na chladnom a suchom mieste.

LIKVIDÁCIA

Tam, kde je to možné, používame recyklovateľné alebo recyklované obaly
Všetky obaly zlikvidujte v súlade s recyklačnými predpismi miestneho úradu
Na konci životnosti produktu skontrolujte likvidáciu v miestnom stredisku na recykláciu domového odpadu.
Plastové plastové vrecká – sú vyrobené z nasledujúceho recyklovateľného plastu

Kód a symbol	
Druh plastu	Polyetylén s nízkou hustotou

UYHLÁSENIÉ O ZHODE VO VEĽKEJ BRITÁNII A EÚ

My, spoločnosť Coopers of Stortford, týmto na vlastnú zodpovednosť vyhlasujeme, že nižšie uvedený produkt bol navrhnutý tak, aby vyhovoval všetkým príslušným častiam nižšie uvedených noriem a smerníc: -

Popis a číslo položky: 2000W ELEKTRICKÝ HORÁK NA BURINU "WEEDBLAZE" R019
Číslo modelu: PODĽA EWB2000-A01

Vyhovuje nasledujúcim predpisom Spojeného kráľovstva a smerniciam EÚ: -

- Predpisy o elektrických zariadeniach (bezpečnosť) z roku 2016 a smernica o nízkom napätí 2014/35/EÚ.
- Nariadenia o elektromagnetickej kompatibilite 2016 a smernica EMC 2014/30/EÚ.
- Nariadenia o obmedzení nebezpečných látok (RoHS) a smernica RoHS 2011/65/EÚ a 2015/863/EÚ.

Postup posudzovania zhody bol v súlade s nasledujúcimi normami:-

Elektrická bezpečnosť Smernica LVD Normy:

EN 60335-1: 2012 + A11: 2014 + A13:2017 +A1: 2019 + A14: 2019 + A2: 2019 + A15: 2021 + A16: 2023
EN 60335-2-45:2002 + A1:2008 + A2:2012+ A11:2023

Normy EMC:

EN 61000-3-3:2013+ A1:2019+A2:2021
ENIEC 55014-1:2021
EN IEC 55014-2:2021
EN IEC 61000-3-2:2019+A1:2021

Normy RoHS:

(EÚ) 2015/863, ktorou sa mení a dopĺňa smernica 2011/65/EÚ.

Správy o testoch pre túto položku sú k dispozícii na adrese:


Coopers zo Stortfordu, 11 Bridge Street, Bishop's Stortford, Hertfordshire, CM23 2JU


Distributed by / Verteilt durch / Distribué par/ Distributor / Distribuuje.

The Enterprise Department Ltd, Trading as Coopers of Stortford.

UK address: 11 Bridge Street, Bishops Stortford, Herts, UK, CM23 2JU

EU address: D.S.B. LD, 160 Bd. De Fourmies, 59100 Roubaix, France

 0330 331 0300

 enquiries@coopersofstortford.co.uk


 <https://www.coopersofstortford.co.uk>

3Pagen


Hergestellt für 3Pagen

Sankt-Joeris-Strasse 16-28

52477 Alsdorf

 +49 (0) 2404/980-204

 kontakt@3pagen.de

 www.3pagen.de

