

# COMPACT RATTAN BISTRO SET WITH PARASOL

Item No:R136

Instructions for Use

v001: 17/12/2025

Please read and retain these instructions for future reference

## INSTRUCTIONS FOR USE:

**GAINSBOROUGH**  
Garden & Wildlife

### BEFORE INSTALLATION

- Place a cloth on the surface where the table will be assembled to avoid scratching the glass or structure
- Open the carton and remove the gaskets, dispose of them safely in the garbage dump and.
- Keep them out of reach of children and pets at all times.  
It is advisable to make the assembly between 2 or more people
- Keep this manual for future installations



Parts/Hardware List

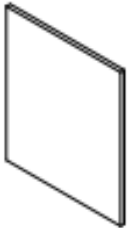


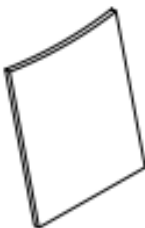
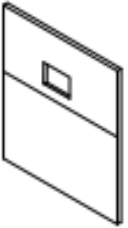

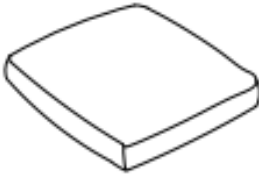
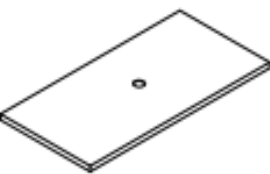








							
A	2PCS	B	2PCS	C	2PCS	D	2PCS
							
E	2PCS	F	2PCS	G	2PCS	I	1PC
							
J	1PC	K	4PCS	L	1PC	M	1PC
 M6*35mm		 M6*30mm		 M6*15mm			
R	4PCS	S	18PCS	T	16PCS	V	1PCS

Image 1

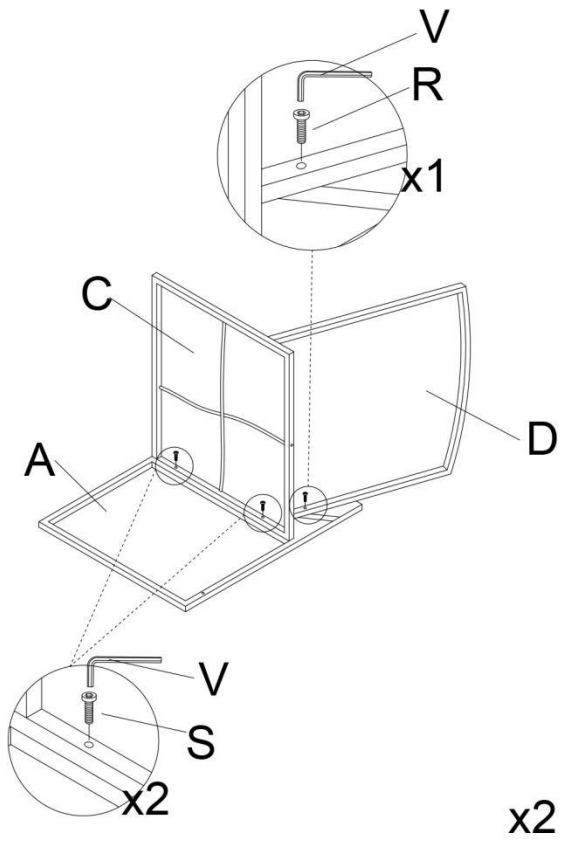


Image 2

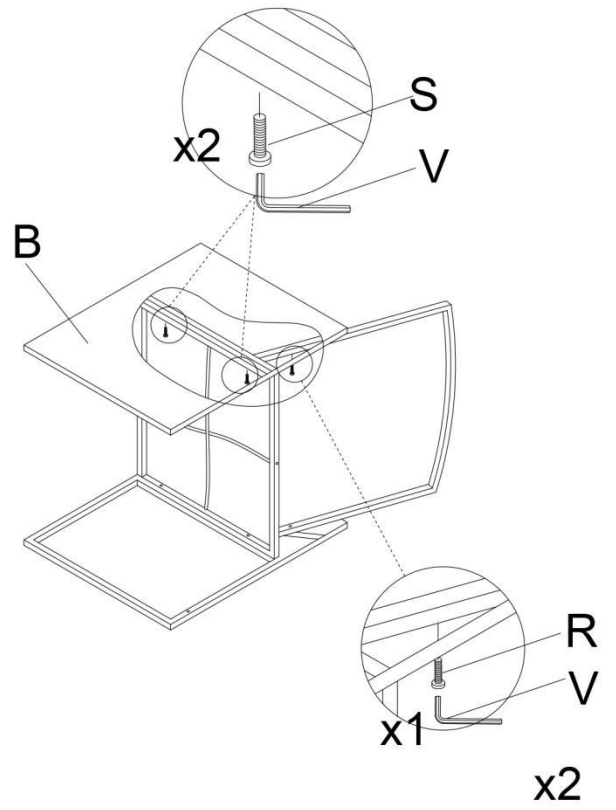


Image 3

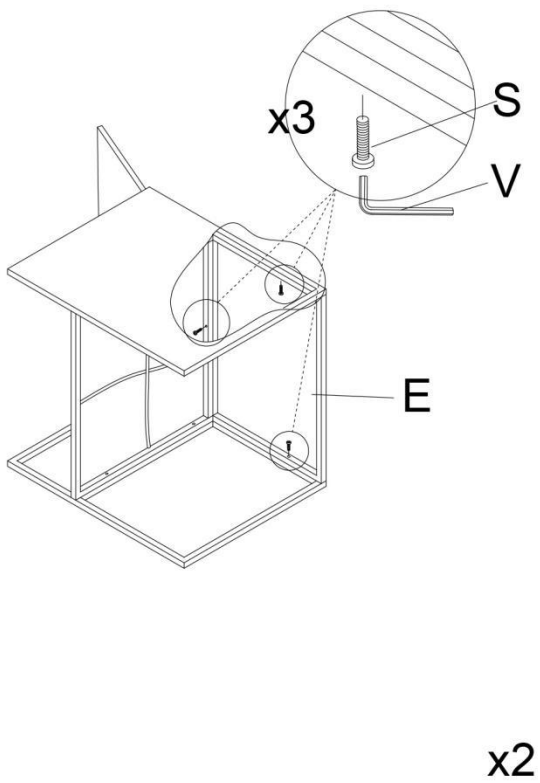


Image 4

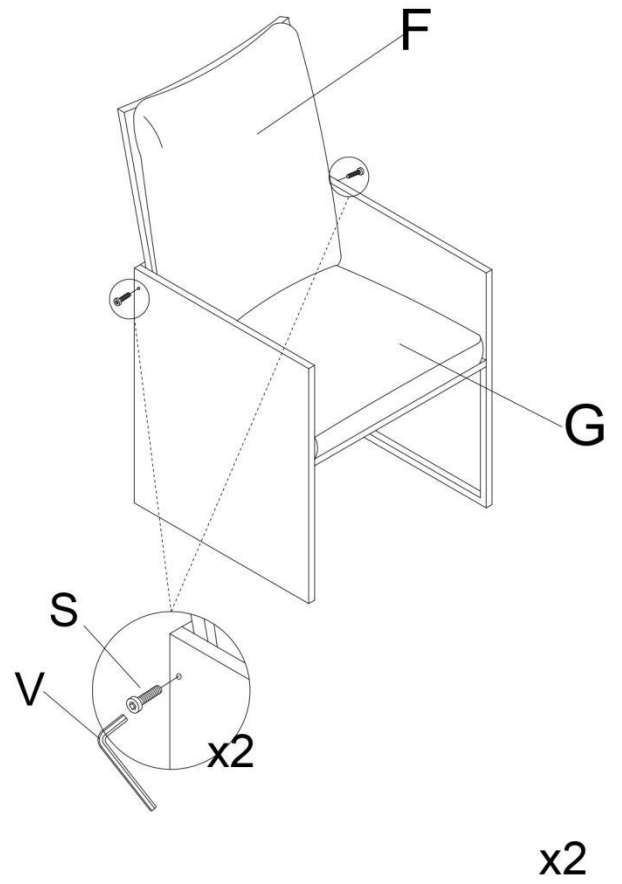


Image 1

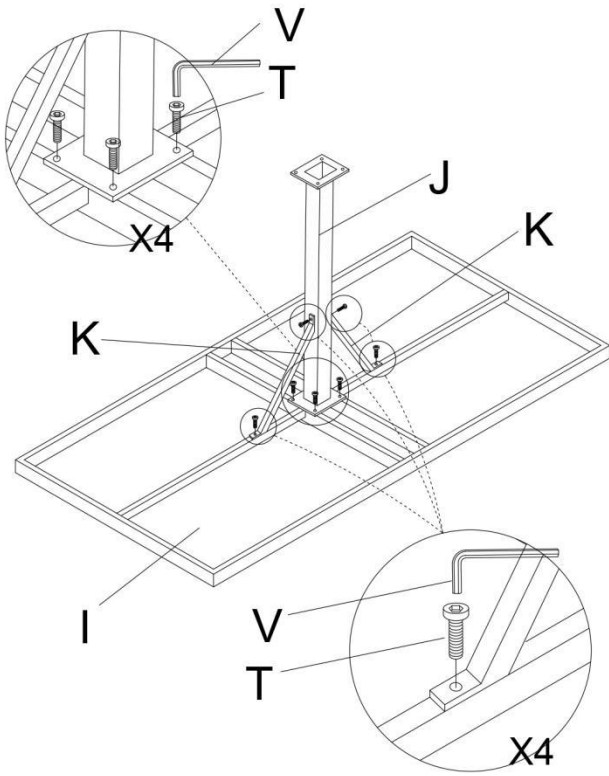


Image 2

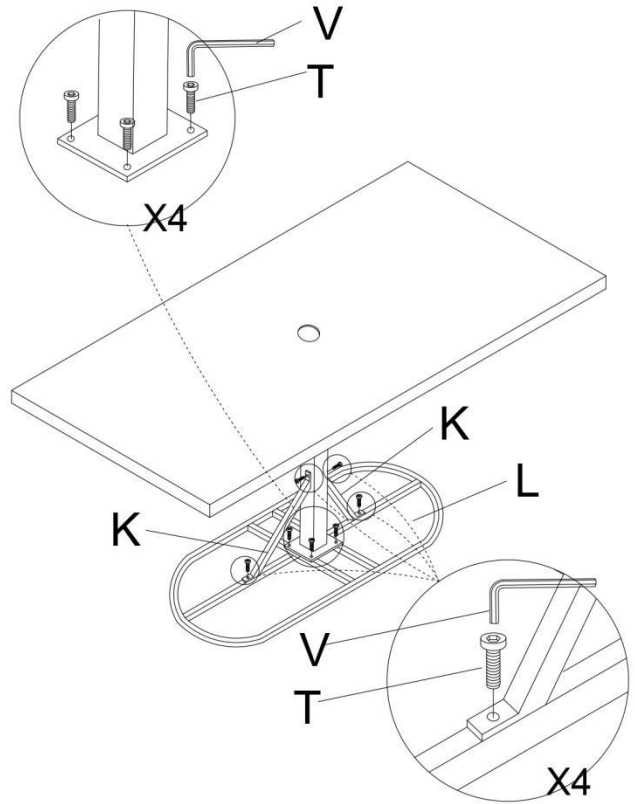


Image 3

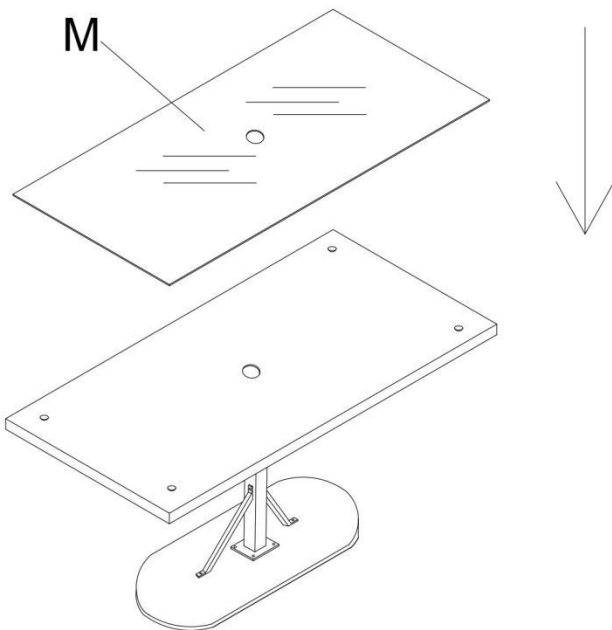
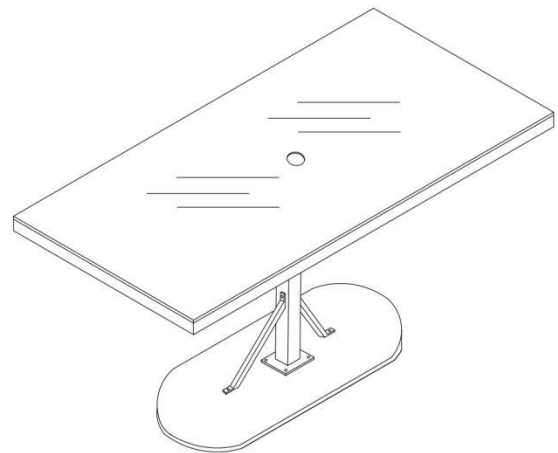


Image 4



### CARE AND CLEANING INSTRUCTIONS:



- Do NOT use abrasive cleaners or sharp utensils to clean this product.
- Store the item in a cool, dry place.
- Wipe with a clean dry cloth.

### DISPOSAL

We use recyclable or recycled packaging where possible

Please dispose of all packaging in accordance with your local authority's recycling regulations

At the end of the product's lifespan check with your local council authorized household waste recycling centre for disposal.

Code & Symbol	 LDPE	 OTHER
Type of Plastic	Low Density Polyethylene	Please Specify (includes ABS, Nylon)

**Distributed by / Verteilt durch / Distribué par/ Distribútor / Distribuuje.**

The Enterprise Department Ltd, Trading as Coopers of Stortford.

**UK address:** 11 Bridge Street, Bishops Stortford, Herts, UK, CM23 2JU

**EU address:** D.S.B. LD, 160 Bd. De Fourmies, 59100 Roubaix, France



0330 331 0300



[enquiries@coopersofstortford.co.uk](mailto:enquiries@coopersofstortford.co.uk)



<https://www.coopersofstortford.co.uk>

### 3Pagen

Hergestellt für 3Pagen

Sankt-Joeris-Strasse 16-28

52477 Alsdorf



+49 (0) 2404/980-204



[kontakt@3pagen.de](mailto:kontakt@3pagen.de)



[www.3pagen.de](http://www.3pagen.de)

