

# 70KG FOLDING WHEELED CART

Item No: R154

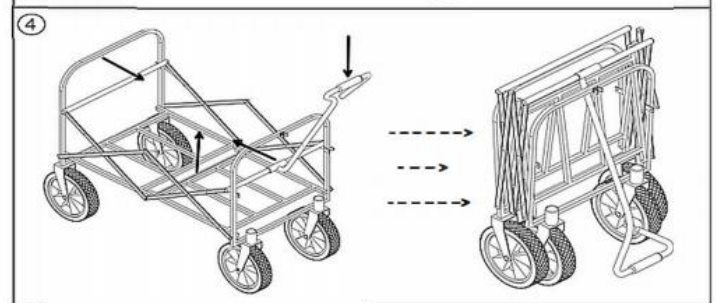
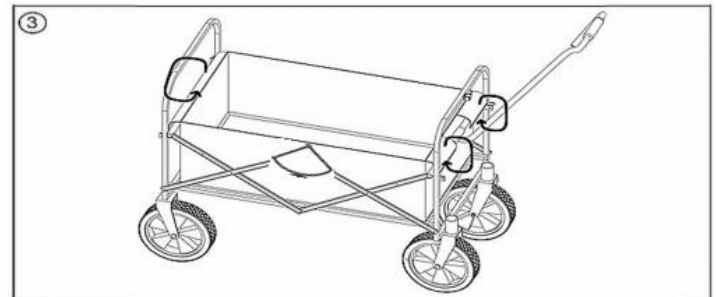
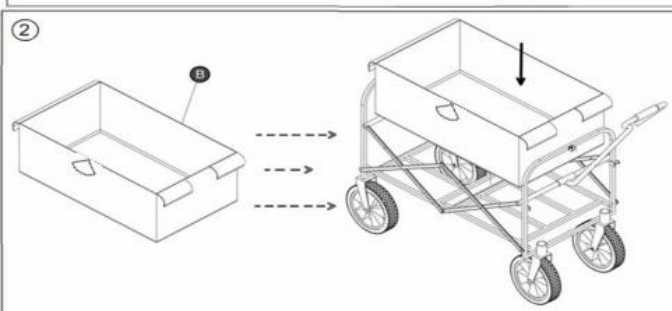
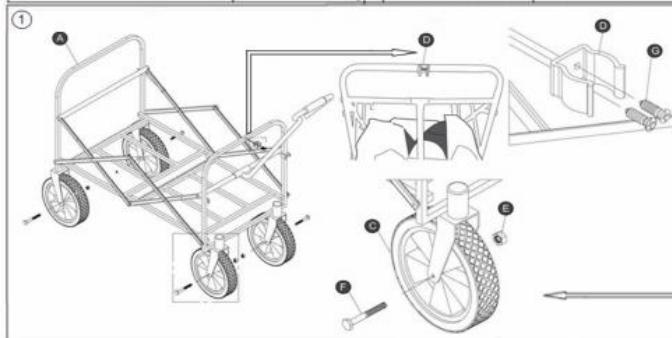
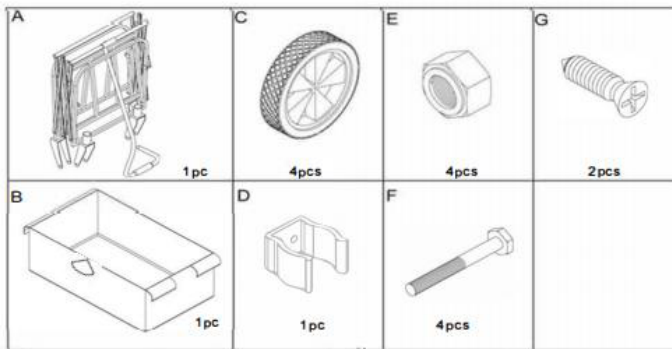
Instructions for Use

v001: 30/10/25

Please read and retain these instructions for future reference



## INSTRUCTIONS:



Press the wheel bracket inward and tighten the screw

### Required Tools (not included):

Screwdriver + Adjustable wrench

### WARNINGS

The plastic bag is not a toy, keep it away from children to avoid risk of suffocation!

Keep children away while assembling this product!

Do not put additional strings or accessories on the product to avoid risk of suffocation!

Do not touch the wheels during use!

Do not prick the wheels with any sharp items!

Only use replacement parts supplied or recommended by the manufacturer/distributor.

Do not exceed the maximum loading capacity of 70 kg!

Before you begin, please verify that you have all the necessary parts

1. Remove Product A from the packaging and unfold it.
2. Attach the plastic part D to the front tube of the frame using the provided screws G.
3. Install the wheels C using the screws F and secure them with the nuts E. Ensure they are tightened properly.
4. Unfold the fabric body and place it evenly onto the frame.
5. Fasten the fabric body to the frame using the attached magic tape. Ensure it is secure and taut.

To collapse the wheeled cart, lift the folding bar located at the bottom upwards.

While lifting, gently push the sides of the frame inward. The wheeled cart will fold compactly for easy storage.




#### **CARE AND CLEANING INSTRUCTIONS:**

- Do NOT use abrasive cleaners or sharp utensils to clean this product.
- Store the item in a cool, dry place.
- Wipe with a clean dry cloth.

#### **DISPOSAL**

- Coopers of Stortford use recyclable or recycled packaging where possible.
- Please dispose of all packaging, paper, cartons in accordance with your local authority recycling regulations.
- At the end of the product's lifespan please check with your local council authorised household waste recycling centre for disposal.
- Plastics, polybags – this is made from the following recyclable plastic.

Code & Symbol	 PVC
Type of Plastic	Polyvinyl Chloride


At the end of the product's lifespan please check with your local council authorised household waste recycling centre for disposal.

**Distributed by / Verteilt durch / Distribué par/ Distribútor / Distribuuje.**

The Enterprise Department Ltd, Trading as Coopers of Stortford.

**UK address:** 11 Bridge Street, Bishops Stortford, Herts, UK, CM23 2JU

**EU address:** D.S.B. LD, 160 Bd. De Fourmies, 59100 Roubaix, France

 0330 331 0300

 [enquiries@coopersofstortford.co.uk](mailto:enquiries@coopersofstortford.co.uk)


 <https://www.coopersofstortford.co.uk>

### **3Pagen**

Hergestellt für 3Pagen

Sankt-Joeris-Strasse 16-28

52477 Alsdorf

 +49 (0) 2404/980-204

 [kontakt@3pagen.de](mailto:kontakt@3pagen.de)

 [www.3pagen.de](http://www.3pagen.de)



Points de collecte sur [www.quefairedemesdechets.fr](http://www.quefairedemesdechets.fr)  
Privilégiez la réparation ou le don de votre appareil !