

# 20V CORDLESS TELESCOPIC HEDGE TRIMMER

## Instructions for Use

Product Code R162

v001: 26/11/25

Please read and retain these instructions for future reference



### Specification:

Model	<b>ST1807(R162)</b>	
Voltage	20V DC	
Battery type	Lithium-ion	
Battery capacity	2.0Ah	
No load speed	1200rpm/min	
Distance of teeth	16mm	
Cutting length	500mm (Laser Cut Blade)	
Aluminium Telescopic Pole Length Range	230-260cm	
Battery Charger	1-1.5hours Fast Charger	

### Accessories:

- Shoulder Strap x1
- Auxiliary Handle x1
- Battery Pack x1
- Battery Charger x1

Use: This item requires two hands to use safely. This Cordless Telescopic Hedge Trimmer is intended for the cutting of hedges, shrubs and branches coverings in private domestic gardens and allotments.

**Please read this instruction manual thoroughly before starting and ensure you are familiar with the operation of your new telescopic hedge trimmer.**

**RECOMMENDED FOR PERSONS OVER 18 YEARS OF AGE. ALWAYS USE HEAD, EYE AND EAR PROTECTION EQUIPMENT AND SAFETY SHOES AND HAND GLOVES**



Warning! Please read these operating instructions carefully and observe the notes given. Use these operating instructions to familiarise yourself with the telescopic hedge trimmer, its proper use and the notes on safety.



For safety reasons, children under the age of 18 and people not familiar with these operating instructions must not use this telescopic hedge trimmer. Persons with reduced physical or mental abilities may use the telescopic hedge trimmer only if they are supervised or instructed by a responsible person.



If not used properly this product can be dangerous.

The warnings and safety instructions must be followed to ensure reasonable safety and efficiency in using this product.

### Explanation Of Symbols On Your Product



Do not use this item when it is raining.



Read this manual thoroughly, before you use



Always wear a helmet, goggles and ear protection



Risk of fatal electric shock. Keep at least 10m distance from overhead lines



DANGER Do not use the device when there are children, people or pets in the area.



Wear gloves to protect hands.



Wear Safety shoes to be protected against short circuits.



This marking indicates that this product should not be disposed of with other household wastes. Follow the disposal instructions within this instruction manual.



The sound power level indicates by LWA in dB.

## Safety Instructions

**WARNING** Read all safety warnings and all instructions. Failure to follow the warnings and instructions may result in electric shock, fire and/or serious injury.

**Save all warnings and instructions for future reference.**

The term "power tool" in the warnings refers to a mains-operated (corded) power tool or Battery-operated power tool.

### 1. Work area safety

- a) **Keep work area clean and well lit.** Cluttered or dark areas invite accidents.
- b) **Do not operate power tools in explosive atmospheres, such as in the presence of flammable liquids, gases or dust.** Power tools create sparks which may ignite the dust or fumes.
- c) **Keep children and bystanders away while operating a power tool.** Distractions can cause you to lose control.

### 2. Electrical safety

- a) **Power tool plugs must match the outlet. Never modify the plug in any way. Do not use any adapter plugs with earthed (grounded) power tools.** Unmodified plugs and matching outlets will reduce risk of electric shock.
- b) **Avoid body contact with earthed or grounded surfaces, such as pipes, radiators, ranges and refrigerators.** There is an increased risk of electric shock if your body is earthed or grounded.
- c) **Do not expose power tools to rain or wet conditions.** Water entering a power tool will increase the risk of electric shock.
- d) **Do not abuse the cord. Never use the cord for carrying, pulling or unplugging the power tool. Keep cord away from heat, oil, sharp edges or moving parts.** Damaged or entangled cords increase the risk of electric shock.
- e) **When operating a power tool outdoors, use a fully extended extension cord suitable for outdoor use.** Use of a cord suitable for outdoor use reduces the risk of electric shock.
- f) **If operating a power tool in a damp location is unavoidable, use a residual current device (RCD) protected supply.** Use of an RCD reduces the risk of electric shock. NOTE The term "residual current device (RCD)" may be replaced by the term "ground fault circuit interrupter (GFCI)" or "earth leakage circuit breaker (ELCB)".

### 3. Personal safety

- a) **Stay alert, watch what you are doing and use common sense when operating a power tool. Do not use a power tool while you are tired or under the influence of drugs, alcohol or medication.** A moment of inattention while operating power tools may result in serious personal injury.
- b) **Use personal protective equipment. Always wear eye protection.** Protective equipment such as dust mask, non-skid safety shoes, hard hat, or hearing protection used for appropriate conditions will reduce personal injuries.
- c) **Prevent unintentional starting. Ensure the switch is in the off-position before connecting to power source and/or battery pack or picking up or carrying the tool.** Carrying power tools with your finger on the switch or energising power tools that have the switch on

invites accidents.

- d) **Remove any adjusting key or wrench before turning the power tool on.** A wrench or a key left attached to a rotating part of the power tool may result in personal injury.
- e) **Do not overreach. Keep proper footing and balance at all times.** This enables better control of the power tool in unexpected situations.
- f) **Dress properly. Do not wear loose clothing or jewellery. Keep your hair, clothing and gloves away from moving parts.** Loose clothes, jewellery or long hair can be caught in moving parts.
- g) **If devices are provided for the connection of dust extraction and collection facilities, ensure these are connected and properly used.** Use of dust collection can reduce dust-related hazards.

#### 4. Power tool use and care

- a) **Do not force the power tool. Use the correct power tool for your application.** The correct power tool will do the job better and safer at the rate for which it was designed.
- b) **Do not use the power tool if the switch does not turn it on and off.** Any power tool that cannot be controlled with the switch is dangerous and must be repaired.
- c) **Disconnect the plug from the power source and/or the battery pack from the power tool before making any adjustments, changing accessories, or storing power tools.** Such preventive safety measures reduce the risk of starting the power tool accidentally.
- d) **Store idle power tools out of the reach of children and do not allow persons unfamiliar with the power tool or these instructions to operate the power tool.** Power tools are dangerous in the hands of untrained users.
- e) **Maintain power tools. Check for misalignment or binding of moving parts, breakage of parts and any other condition that may affect the power tool's operation. If damaged, have the power tool repaired before use.** Many accidents are caused by poorly maintained power tools.
- f) **Keep cutting tools sharp and clean.** Properly maintained cutting tools with sharp cutting edges are less likely to bind and are easier to control.
- g) **Use the power tool, accessories and tool bits etc. in accordance with these instructions, taking into account the working conditions and the work to be performed.** Use of the power tool for operations different from those intended could result in a hazardous situation.

#### 5. Battery tool use and care

- a) **Recharge only with the charger specified by the manufacturer.** A charger that is suitable for one type of battery pack may create a risk of fire when used with another battery pack.
- b) **Use power tools only with specifically designated battery packs.** Use of any other battery packs may create a risk of injury and fire.
- c) **When battery pack is not in use, keep it away from other metal objects, like paper clips, coins, keys, nails, screws or other small metal objects, that can make a connection from one terminal to another.** Shorting the battery terminals together may cause burns or a fire.
- d) **Under abusive conditions, liquid may be ejected from the battery; avoid contact. If contact accidentally occurs, flush with water. If liquid contacts eyes, additionally seek medical help.** Liquid ejected from the battery may cause irritation or burns.

## 6. Service

- a) **Have your power tool serviced by a qualified repair person using only identical replacement parts.** This will ensure that the safety of the power tool is maintained.

## 7. Storage

- a) Use transport guard during transport and storage
- b) Clean and dry the tool before storage
- c) Secure the unit during transport to prevent loss of fuel, damage or injury

## Additional Safety Instructions for Batteries and Chargers

### Batteries

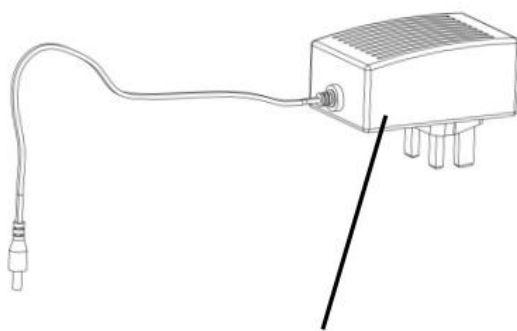
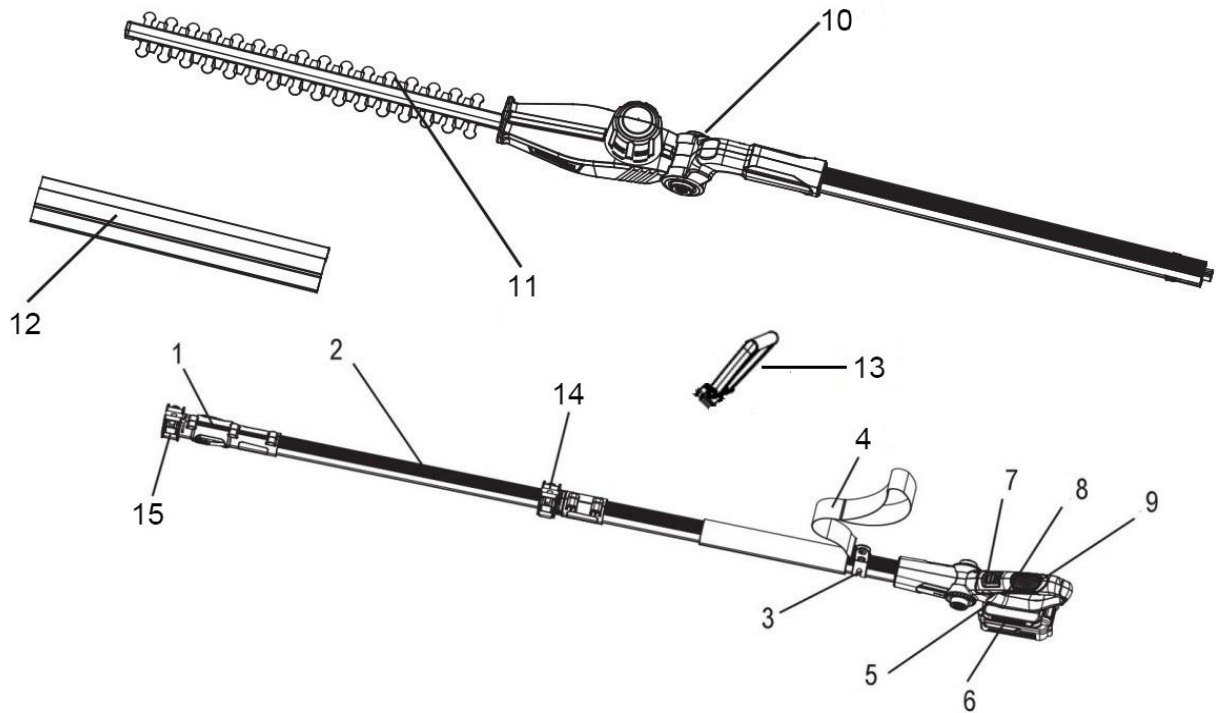
- Never attempt to open for any reason
- Do not expose to water
- Do not incinerate the battery even if it is severely damaged or is completely worn out. The battery pack can explode in a fire.
- Do not store in locations where the temperature may exceed 40°C (eg, in direct sunlight inside a window).
- Do not leave the battery pack in the charger when the charging is finished, otherwise battery leakage may occur.
- Charge only at room temperature.
- Charge only using the charger provided with the machine.
- Before charging, make sure that the battery is dry and clean.
- Use only the correct type of battery for the machine.
- When disposing of batteries follow the instructions given in the section "protecting the environment".
- Under extreme conditions, battery leakage may occur. When you notice liquid on the battery, proceed as follows:
  - Carefully wipe the liquid off using a cloth. Avoid skin contact.
  - In case of skin or eye contact, follow the instructions below.
    - The battery fluid, a 25-30% solution of potassium hydroxide, can be harmful. In case of skin contact, immediately rinse with water. Neutralize with a mild acid such as lemon juice or vinegar.
    - In case of eye contact, rinse abundantly with clean water for at least 10 minutes. Consult a physician.

### Chargers

- The charger's plug must match the outlet. Never modify the plug in any way. Modified plugs can be a fire hazard and kill.
- Use your charger only to charge batteries of the type supplied with your machine. Other batteries could burst, causing personal injury and damage.
- Only 2 batteries are allowed to be charged continuously in order to prevent overheating of charger. It is necessary for the charger to rest and cool down before further charging.
- When charging is finished, unplug the charger from mains socket outlet and remove the battery pack from the charger. Do not leave the battery pack in the charger.
- Never carry the charger by its cord or pull it to disconnect it from the socket. Keep the cord away from heat, oil and sharp edges.

- Never attempt to charge non-rechargeable batteries.
- The charger lead is not replaceable. Do not continue to use if the lead is damaged.
- Do not expose to water or rain. Do not use in wet conditions.
- Do not open the charger.
- Do not probe the charger.
- Intended for indoor use only

## Description



**Battery Charger**

- |   |
|---|
| 1. Attachments Pole Connector                 |
| 2. Main Switch Handle Pole                    |
| 3. Shoulder Strap Clip Base                   |
| 4. Shoulder Strap                             |
| 5. Battery Connection Housing                 |
| 6. Battery Pack                               |
| 7. Trigger Lockout                            |
| 8. Trigger                                    |
| 9. Main Switch Handle                         |
| 10. Angle Adjustment Button For Hedge Trimmer |
| 11. Trimmer Blade                             |
| 12. Blade Shield                              |
| 13. Auxiliary Handle                          |
| 14&15. Fast Locking lever                     |

## ASSEMBLY

### Unpacking

This product requires assembly. Carefully remove the product and any accessories from the box. Make sure that all items listed in the packing list are included.

Inspect the product carefully to make sure no breakage or damage occurred during shipping. Do not discard the packing material until you have carefully inspected and satisfactorily operated the product.



**WARNING!** Remove the battery pack before assembly .



**WARNING:**

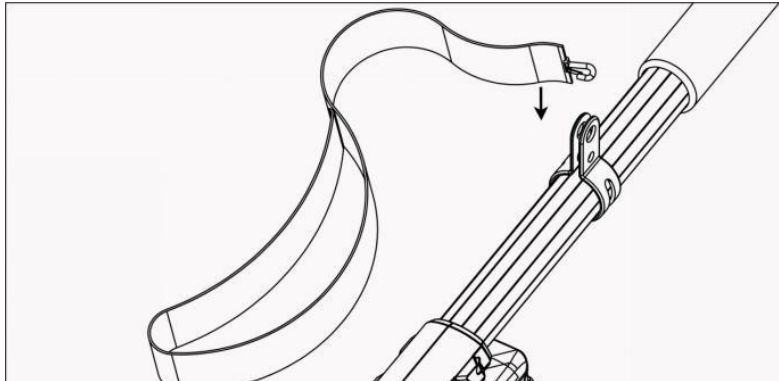
Do not attempt to modify this product or create accessories not recommended for use with this product. Any such alteration or modification is misuse and could result in a hazardous condition leading to possible serious personal injury and will invalidate your warranty.



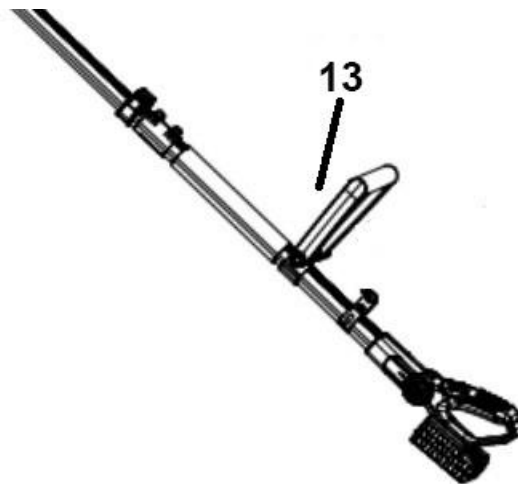
**WARNING:**

Do not fix the battery to machine until assembly is complete. Failure to comply could result in accidental starting and possible serious personal injury.

#### **CLIP THE SHOULDER STRAP FASTENER ONTO THE POLE STRAP CLIP BASE-**



#### **Attach The Auxiliary Handle Onto The Main Switch Handle Pole By Supplied Bolt And Knob**



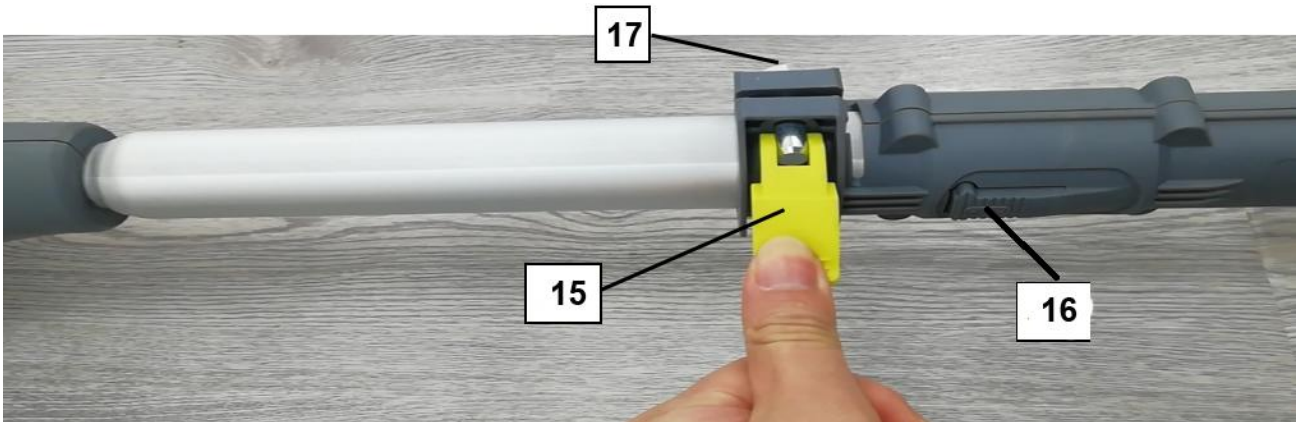
#### **Fit Hedge Trimmer Attachment with Fast Locking System**

- a. To fit the Trimmer head attachment, use one hand to hold trimmer head attachment pole and use your other hand to hold the end of the main switch handle pole, then insert the trimmer attachment pole fully into the Main switch handle part pole. Lock it using fast locking lever(15). **(Note: During Assembly, the hedge trimmer attachment working head must be in the correct directions ! You must always insert attachment pole fully into the main switch handle pole!)**
- b. To remove the trimmer head attachment, release the fast locking lever(15) and press/squeeze the locking button(16) with one hand and pull out the working head attachments with your other hand .

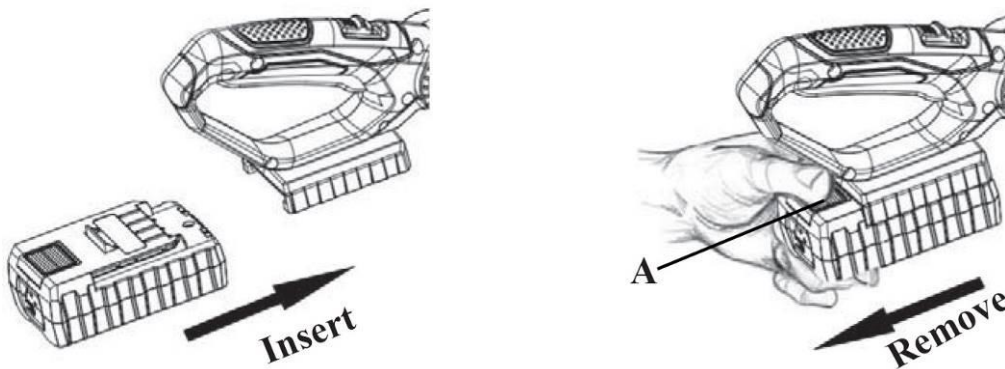
**WARNING!**

Pay extra attention when using the locking lever (15). Only a little pressure is required to lock the pole in position. If you force the lever, it could break. If you feel that you are using too much pressure to lock the pole in position, you need to loosen the knurled nut (17) anti-clockwise a bit and try again.;

If the Locking Lever system is over loose when you lock the lever (15) in position, unlock the lever and turn the nut (17) in a clockwise direction a bit to tighten. Then Lock the pole with the fast locking lever again. (See Below)



**REMOVE OR INSTALL BATTERY PACK (FIG. I)**



**FIG I**

** WARNING!**

Always release the On/Off switch before insertion or removal of the battery pack.

1) Remove the battery pack.

Withdraw it from the tool while pulling the Battery Release Button (A) down (See Fig.I).

2) Install the battery pack.

Slide the battery pack fully into the battery case located in the handle until the Battery Release Button (A) returns back to its normal position. (See Fig.I).

## OPERATION

### RISK OF INJURY!

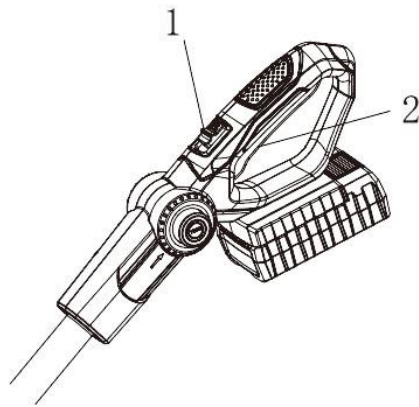
Risk of injury if the hedge trimmer does not switch off when you release the start button. Never bypass the safety devices (by binding the start button to the handle, for example).

#### Switching the tool ON/OFF

- 1, To turn ON, Push forward and hold Trigger Lockout button (1) to the ON position while squeezing the trigger(2) on the switch handle.
- 2, To turn OFF, Release the trigger (2)

If the Trigger Lockout button is in the “OFF “position, the trigger (2) on the handle will not operate. See picture as below :

For safety always switch the Trigger Lockout button to the Off position when not in use



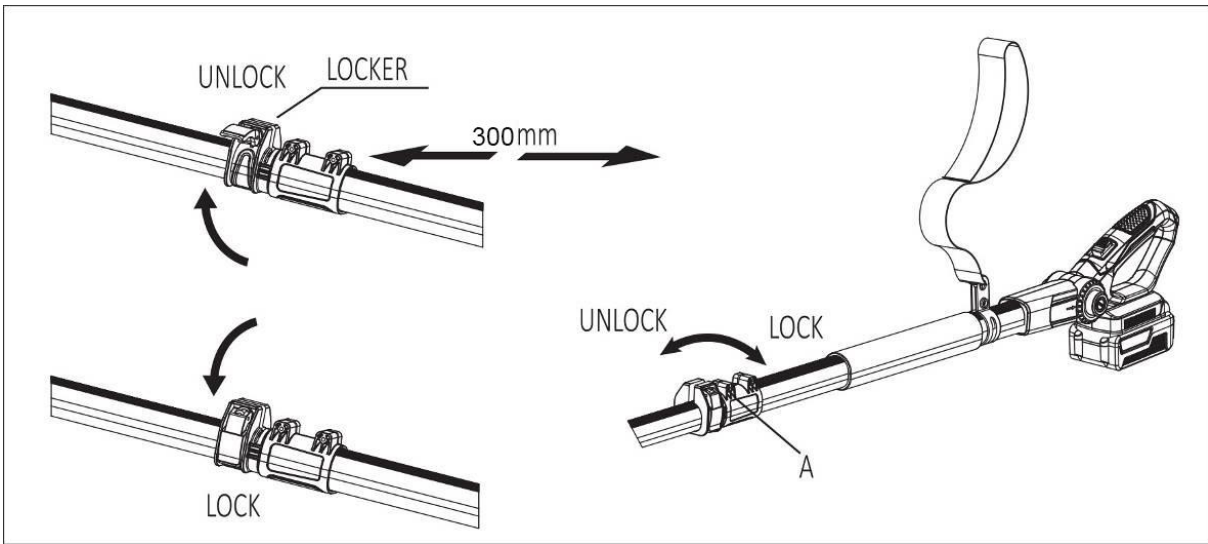
#### Main Switch Handle Angle Adjustment

Squeezing the main switch handle angle adjustment locking Knob by your one hand, then you may set the main switch handle to your desired angle.(See Below Fig.)



#### Main Switch Handle Telescopic Length Adjustment -

Release the fast-locking lever on the pole, adjust the pole length to your desired length then lock the fast-locking lever again.



## Hedge Trimmer head angle adjustments

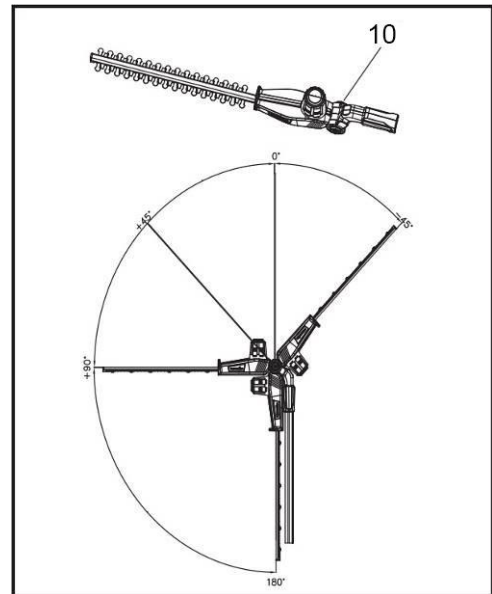
1. Place the hedge trimmer on a flat surface.  
Depress the Trimmer angle adjustment button (10) and adjust trimmer angle adjustment head until it snaps securely into place at one of their available positions indicated.

**NOTE:** The trimmer angle adjustment can be adjusted in five positions(-45°,0°,45°,90°,180°)



### CAUTION:

Do not place hand between pivoting head and threaded base. Failure to heed this caution could result in a pinch point injury.



### Using the hedge Trimmer :

1. Remove the Blade sheath (12)
2. Attach the battery to the machine battery case according the previous instructions.

**Note :** Make sure the battery is fully charged.

3. Use both hands when handling the machine and fasten the strap securely (**See photo as below**)



4. Make sure your footing is firm. Keep feet apart and stand on the ground steady. Divide your weight evenly on both feet.
5. When ready to make a cut, release the trigger lockout and squeeze the trigger to start your machine. Releasing the trigger will turn off the machine. Make sure trimmer blade is running before starting a cut.
6. When starting a cut, hold pole trimmer firmly in place to avoid possible bouncing or skating (sideways movement).

## Battery Charging

Do not use other battery chargers. The battery charger supplied is designed especially for the Lithium-ion battery supplied with your machine.

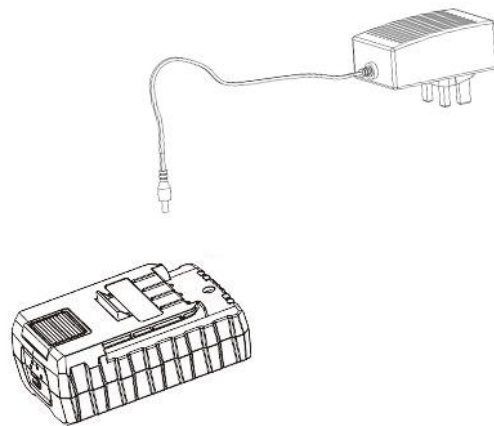
Observe correct mains voltage: The voltage of the power supply must be the same as the voltage specified on the nameplate of the unit. Equipment marked with 230 V can also be connected to 220 V or 240 V. 230V is the European harmonized 'norm'.

The Li-ion battery is protected against deep discharging by "Electronic Cell Protection". When the battery is empty, the machine is switched off by means of a protective circuit:

**WARNING:** Do not continue to try and operate the machine once it has automatically switched off. The battery can be damaged.

1 -The battery is supplied partially charged. To ensure full capacity of the battery, completely charge the battery before using your power tool for the first time.

**NOTE: - A battery that is new or has not been used for a long period does not develop its full capacity until after approx. 5 charging/discharging cycles.**



2 -Plug the charger into an appropriate AC power outlet. The LED will light green to tell you that the charger is ready for use.

3 -Insert the charger interface into the battery pack, making sure it is fully connected in the battery pack. The charger LED will turn Red to tell you that the battery pack is on charge.

**Attention! You cannot charge a flat battery immediately after using the machine. The battery pack must be allowed to cool for a period of time. When the LED lights change from green to red it can be charged.**

4 -.The battery pack will be fully charged in about 1.5-2.0 hours. And the LED light turns Green again to tell you that the battery pack is fully charged.

## Important charging notes

Longest life and best performance can be obtained if the battery pack is charged when the air temperature is between 18-24°C. Do not charge the battery pack in a very low or very high air temperature. This is important and will prevent serious damage to the battery pack.

1. When using your tool continuously, the batteries in your battery pack will become hot. You should let a hot battery pack cool down for approximately 30 minutes before attempting to recharge.
2. The charger and battery pack may become warm to the touch while charging. This is normal and does not indicate a problem.
3. Use the charger at normal room temperatures whenever possible. To prevent overheating, do not cover the charger and do not charge battery packs in direct sunlight or near heat sources.
4. If the battery pack does not charge properly – (1) Check current at receptacle by plugging in a lamp or other appliance. (2) Move charger and battery pack to a location where the surrounding air temperature is approximately 18-24°C. (3) If charging problems persist, take or send the battery pack and charger to your local service centre.
5. The battery pack should be recharged when it fails to produce sufficient power on jobs which were easily done previously. DO NOT CONTINUE to use under these conditions. Follow the charging procedure. You may also charge a partially used pack whenever you desire with no adverse affect on the battery.
6. Under certain conditions, with the charger plugged into the power supply, the exposed charging contacts inside the charger can be shorted by foreign material. Foreign materials of a conductive nature such as, (but not limited to) steel wool, aluminum foil, or any buildup of metallic particles should be kept away from charger cavities. Always unplug the charger from the power supply when there is no battery being charged. Unplug charger before attempting to clean.
7. Do not immerse charger in water or any other liquid.
8. **WARNING!** Don't allow any liquid to get inside charger as this will result in an electric shock. To assist the battery cooling down after use, avoid recharging the battery in a hot environment such as in a metal shed, or in strong direct sunshine .
9. **CAUTION!** Never attempt to open the battery pack for any reason. If the plastic housing of the battery pack breaks or cracks, recycle. Do not attempt to re-use.

**Protect the battery charger against moisture!**

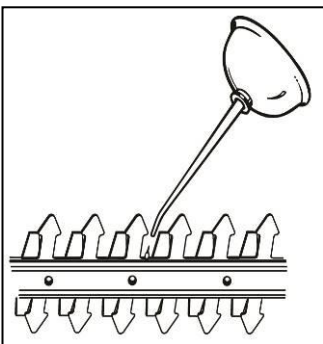
## Maintenance & Storage

Before carrying out any checks or maintenance operations, REMOVE the battery from machine.

Check your machine regularly before starting any work.

Damaged cutting blades must be repaired or exchanged by a qualified serviceman before using the machine.

After each cutting use of the hedge trimmer attachment, clean the cutting blade with a soft brush and cloth with lubricating fluid oil and spray a thin layer of fluid protective oil to help prevent rust.



Never clean or spray a machine with water. Clean the motor housing only with a moist cloth and never use detergents or solvents! These could ruin the plastic parts of the machine. Finally, dry the motor housing carefully.

Store the machine with the supplied trimmer attachment protection cover.

## Cleaning

Keep all safety devices, air vents and the motor housing free of dirt and dust as far as possible.

Wipe the equipment with a clean cloth and vacuum air vents.

We recommend that you clean the equipment immediately after you use it.

Clean the equipment regularly with a damp cloth and some soft soap.

Do not use cleaning agents or solvents; these may be aggressive to the plastic parts in the equipment.

Ensure that no water can get into the interior of the equipment.

Clean the underside of the tines guard with a brush to remove any dirt that has stuck.

## Storage

Store the equipment and accessories out of the reach of children and in a dark dry place at above freezing temperature. The ideal storage temperature is between 5 and 30 °C.

## Disposal and recycling

- We use recyclable or recycled packaging where possible.
- Please dispose of all packaging, paper, cartons, packaging in accordance with your local recycling regulations.
- At the end of the product's lifespan please check with your local council authorised household waste recycling center for disposal.



## MACHINERY DECLARATION OF CONFORMITY 09/12/2025

Coopers of Stortford hereby declare under our sole responsibility, that the product named below has been designed to comply with all relevant sections of the below referenced standards and directives: -

Product Description: 20V CORDLESS TELESCOPIC HEDGE TRIMMER

Item Number: R162 Model Number: ST1807

Conforms to the following: -

Machinery Directive: 2006/42/EC, 2014/30/EU, 2011/65/EU, 2000/14/EC amended by 2005/88/EC and UK Supply of Machinery (Safety) Regulations 2008 &

The Electrical Equipment (Safety) Regulations 2016 and Low Voltage Directive 2014/35/EU.

EN 62841-1:2015+AC:2015, EN 62841-4-2:2019

BATTERY CHARGER LVD : EN 60335-1:2012 + A11:2014 + A13:2017 + A1:2019 + A14:2019 + A2:2019 + A15:2021 EN IEC 60335-2-29:2021 + A1:2021 EN 62233:2008

Electromagnetic Compatibility Regulations 2016 and EMC Directive 2014/30/EU.

EN IEC 55014-1:2021

EN IEC 55014-2:2021

**The Noise Emission in the Environment by Equipment for use Outdoors Regulations 2001** and amendment **The Noise Emission in the Environment by Equipment for Use Outdoors (Amendment) Regulations 2005** and **Noise Directive 2000/14/EC** as amended by **Directive 2005/88/EC**, **Regulation 219/2009/EC** and **Regulation 2019/1243/EU**.

NOISE: LPA = 79 dB(A), LWA = 98 dB(A)

**Restriction of the Use of Certain Hazardous Substances in Electrical and Electronic Equipment (RoHS) Regulations 2008 and RoHS Directives 2011/65/EU Directive with its Amendments 2015/863/EU**

**Battery Directive: UK The Batteries and Accumulators (Placing on the Market) Regulations 2008 (UK) and EU battery regulation 2023/1542/EU.**

**Other: Lithium Ion battery compliance with REACH regulation 1907/2006/EC.**

The product test reports and certification in accordance with Supply of Machinery (Safety) Regulations 2008 and Machinery Directive 2006/42/EC are available from:

Coopers of Stortford, 11 Bridge Street, Bishop's Stortford, Hertfordshire, CM23 2JU.

Tel: 0330 331 0300. Customer Services email: [enquiries@coopersofstortford.co.uk](mailto:enquiries@coopersofstortford.co.uk)

Bill Stewart

Technical Manager

The Enterprise Department Ltd,

Coopers of Stortford. 11 Bridge Street, Bishop's Stortford, Hertfordshire CM23 2JU

Distributed by

The Enterprise Department Ltd, Trading as Coopers of Stortford.

**UK address:** 11 Bridge Street, Bishops Stortford, Herts, UK, CM23 2JU

**NI address:** D.S.B. LD, 160 Bd. De Fourmies, 59100 Roubaix, France

Tel: +44 (0) 330 331 0300

Customer Services: [enquiries@coopersofstortford.co.uk](mailto:enquiries@coopersofstortford.co.uk)

Web Site: <https://www.coopersofstortford.co.uk>

