

**Important.**

When using the equipment, a few safety precautions must be observed to avoid injuries and damage. Please read the complete operating instructions and safety information with due care. Keep these operating instructions in a safe place so that the information is available at all times. If you give this equipment to any other person, hand over these operating instructions and the safety information as well. We cannot accept any liability for damage or accidents which arise due to a failure to follow these instructions and the safety information

## 1. Safety information

Please refer to these instructions for the safety information.

### CAUTION

Read all the safety regulations and instructions.

Any errors made in following the safety regulations and instructions may result in an electric shock, fire and/or serious injury.

Keep all safety information and instructions in a safe place for future use.

This equipment is not designed to be used by people (including children) with limited physical, sensory or mental capacities or those with no experience and/or knowledge unless they are supervised by a person who is responsible for their safety or they have received instructions from such a person in how to use the equipment safely. Children must always be supervised in order to ensure that they do not play with the equipment.

Explanation of the warning signs on the equipment (see Fig. 8)

1. Important.
2. Read the directions for use before operating the tool.
3. Wear goggles and ear protectors and protective footwear.
4. Do not use the tool in rain or snow. Do not expose the tool to wet conditions.
5. Keep all other persons away from the danger zone.
6. Beware of catapulted objects.
7. Switch off the tool and pull out the power plug before carrying out any cleaning or maintenance work.
8. Rotating parts. Keep your hands and feet away from the brush.

Fig. 8



## 2. Layout (see Fig. 1)

### 3. Items supplied

- Open the packaging and take out the equipment with care.
- Remove the packaging material and any packaging and/or transportation braces (if used).
- Check to see if all items are supplied.
- Inspect the equipment and accessories for transport damage.
- If possible, please keep the packaging until the end of the guarantee period.

### IMPORTANT

The equipment and packaging material are not toys.

Do not let children play with plastic bags, foils or small parts. There is a danger of swallowing or suffocating!

## 4. Intended use

The equipment is designed to remove weeds from between paving stones and slabs. It is not intended for use on sensitive surfaces like tiles. Do not use on loose surfaces such as gravel or stones or soil.

The equipment is to be used only for its prescribed purpose. Any other use is deemed to be a case of misuse. The user/operator and not the manufacturer will be liable for any damage or injuries of any kind caused as a result of this. Please note that our equipment has not been designed for use in commercial, trade or industrial applications. Our warranty will be voided if the equipment is used in commercial, trade or industrial businesses or for equivalent purposes.

## 5. Technical data

Mains voltage: 230-240v~ 50 Hz  
Power input: 140W  
Idling speed: 1200min<sup>-1</sup>  
Max. brush diameter 100mm  
Protection class: II /  
Weight: 2.37kg

### Sound and vibration

Sound and vibration values were measured in accordance with EN 60745.  
Sound pressure level LpA 68 dB(A)  
Uncertainty KpA 3 dB  
Sound power level LWA 88 dB(A)  
Uncertainty KWA 3 dB

### Wear ear protectors

The impact of noise can cause damage to hearing.  
Total vibration values (vector sum of three directions) determined in accordance with EN 60745.

### Surface grinding

Vibration emission value  $a_h \leq 2.5 \text{ m/s}^2$   
K uncertainty =  $1.5 \text{ m/s}^2$

Additional information for electric power tools

### Warning!

The specified vibration value was established in accordance with a standardized testing method. It may change according to how the electric equipment is used and may exceed the specified value in exceptional circumstances.

The specified vibration value can be used to compare the equipment with other electric power tools.

Reduce noise generation and vibration to a minimum!

- Use only equipment that is in perfect condition.
- Maintain and clean the equipment regularly.
- Adopt your way of working to the equipment.
- Do not overload the equipment.
- Have the equipment checked if necessary.
- Switch off the equipment when not in use.
- Wear gloves.

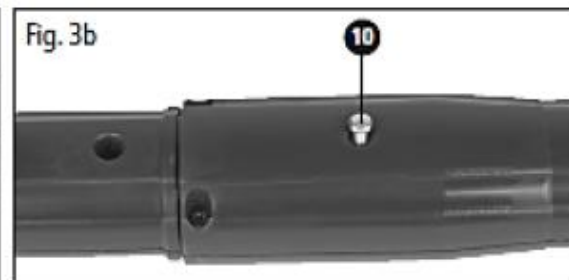
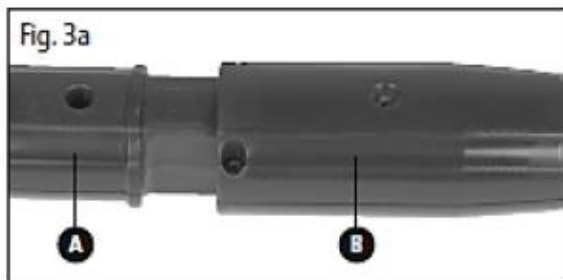
### Residual risks

Even if you use this electric power tool in accordance to instructions, certain residual risks cannot be eliminated. The following hazards may arise in connection with the equipment's construction and layout:

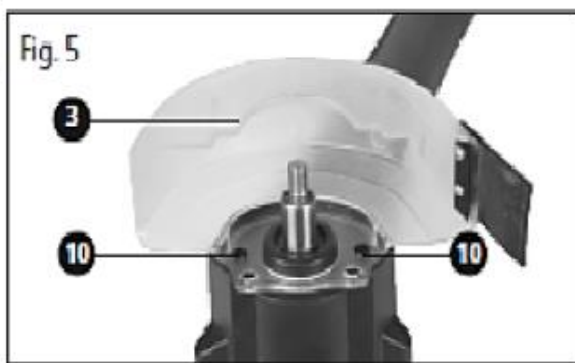
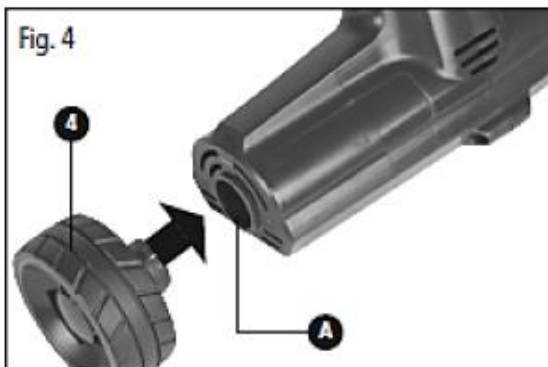
1. Lung damage if no suitable protective dust mask is applied.
2. Damage to hearing if no suitable ear protection is applied.
3. Health damage caused by hand-arm vibrations if the equipment is used over a longer period or is not properly guided and maintained.

## 6. Before starting the equipment

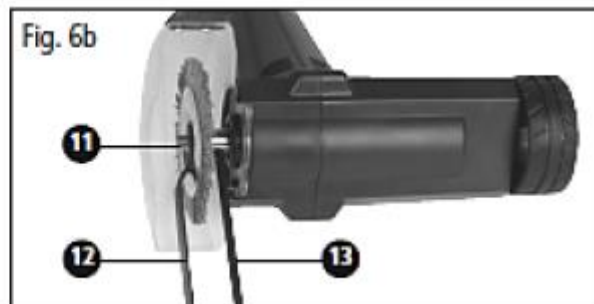
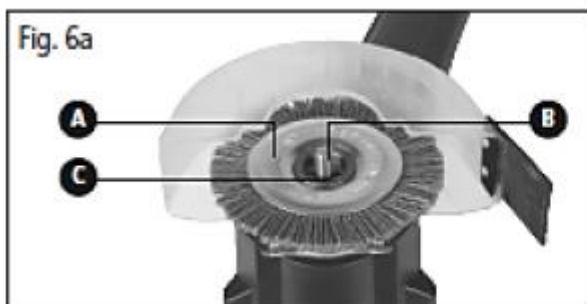
- Before you connect the equipment to the power supply make sure that the data on the rating plate are identical to the supply voltage.
- Always pull out the power plug before making adjustments to the equipment. Plug the top part of the housing (Fig. 3a/Item A) and the bottom part of the housing (Fig. 3a/Item B) together and secure with one screw on each side (Fig. 3b/Item 10).



- Insert the guide wheel (Fig. 4/Item 4) into the guide on the housing (Fig. 4/Item A). Make sure that there is an audible click when it engages. Plug on the guard hood (Fig. 5/Item 3) as shown in Figure 5 and secure with 2 screws (Fig. 5/Item 10).



- Fit the brush (Fig. 6a/Item A) onto the drive axle (Fig. 6a/Item B). Make sure the brush fits accurately into the mount (Fig 6a/Item c). The shaft must be fixed in order to fasten the brush. To do so, insert the bolt (Fig.2/item 13) into the recess on the shaft (Fig. 6b) and hold with one hand. Use the open-ended wrench (Fig.2/Item 12) to secure the nut (Fig. 6b/Item 11).



- Important: Be sure to remove the bolt again from the shaft.

**To dismantle the equipment for changing the brush proceed in reverse order.**

## 7. Using the electric paving scraper

The tool can be plugged into any socket-outlet (with 230v - 240v AC) that is equipped with a 10A fuse or higher. The socket-outlet has to be safeguarded by an earth leakage circuit breaker (e.l.c.b.) or RCB plug. The operating current must not exceed 30 mA.

- Insert the tool plug into the power cord coupling (extension).
- Secure the power cable (Fig. 7/Item A) with the strain relief clip (Fig. 7/Item 1) found on the equipment as shown.
- To switch on the equipment hold the safety lock off (Fig. 7/Item 6) and press and hold the ON/OFF switch (Fig. 7/Item 2).
- To switch off, release the ON/OFF switch (Fig. 7/Item 2).



One steel brush (Fig. 2/Item 8) and one nylon brush (Fig. 2/Item 9) are supplied with the equipment. The wire brush is suited for use on robust surfaces and obstinate weeds. We recommend using the nylon brush for light vegetation and surfaces too sensitive for the steel brush.

**Important.** Always carry out a short trial run to check out possible effects on the surfaces of the paving stones or slabs before starting with your work. Never use the equipment on very sensitive surfaces, for example tiles.

**Important.** Only use brushes which are in good condition. Replace excessively worn or damaged brushes immediately.

Always use both hands to operate the equipment. Guide the equipment along the joints at a walking pace. For uniform results carry out your work at a constant speed. If necessary, guide the equipment along the same joint several times.

### Warning

Do NOT use on loose surfaces such as gravel or soil, as the spinning wheel will pick up stones and particles and propel them. Take care to ensure the weed sweeper is not used near cars or windows as they are in danger of flying debris.

## 8. Cleaning and maintenance

Always pull out the power plug before starting any cleaning work.

### 8.1 Cleaning

- Keep all safety devices, air vents and the motor housing free of dirt and dust as far as possible. Wipe the equipment with a clean cloth or blow it down with compressed air at low pressure.

Always clean and dry the metal and nylon brushes thoroughly after each use.

- Clean the equipment regularly with a damp cloth and some soft soap. Do not use cleaning agents or solvents; these may be aggressive to the plastic parts in the equipment. Ensure that no water can get into the interior of the equipment.
- Clean the guard hood with a brush upon evidence of dirt and grime.

## 8.2 Carbon brushes

In case of excessive sparking, have the carbon brushes checked only by a qualified electrician. Important. The carbon brushes should not be replaced by anyone but a qualified electrician.

## 8.3 Servicing

There are no parts inside the equipment which require additional maintenance.

## 9. Storage

Store the equipment and accessories out of children's reach in a dark and dry place at above freezing temperature. The ideal storage temperature is between 5 and 30 °C. Store the electric tool in its original packaging.

## DISPOSAL

- Dispose of all packaging, paper, cartons and plastic, plastic bags in accordance with your local recycling regulations.
- At the end of the product's lifespan please dispose of it at an authorised household WEEE waste recycling centre.

