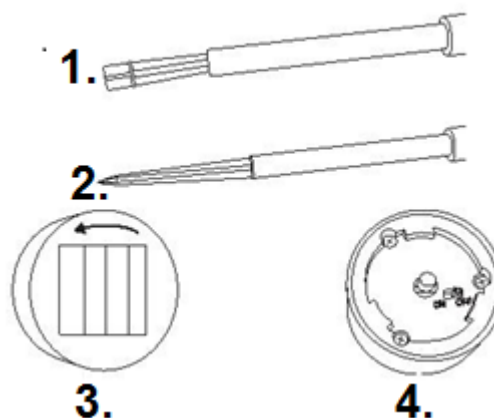


SPECIFICATIONS:

Height above ground	30 cm
Charging time (in persistent sunlight)	7 hours
Burn time (fully charged)	7 hours
Rechargeable battery	6 × 1.2 V Ni-MH 2/3 AAA100mAh (not replaceable)

USER INSTRUCTIONS:**Assembly**

1. Remove the ground spike from inside the tube.
2. Reinsert the ground spike into the tube with the spike pointing outwards.
3. Twist the solar cell bulb assembly anti-clockwise to loosen it from the lamp.
4. Set the power switch to the ON position.
5. Refit the solar cell bulb assembly back onto the lamp.
6. When placing the solar lights in the garden, make sure that they are exposed to maximum sunlight for charging purposes and are not triggered by other light sources such as street lights or other false triggering sources.

**WARNINGS / CAUTIONS:**

- Handle the product with care, making sure not to damage the solar panel's surface and ensuring that it is not covered with dust or affected by other contaminants.
- The product must not be changed or modified in any way.
- Do not let children play with the product.
- The battery cannot be replaced. The entire product should be disposed of when the battery is no longer able to sustain a charge.

CLEANING INSTRUCTIONS:


- Clean the exterior of the lamp by wiping it with a damp cloth. Use only mild cleaning agents, do not use solvents or corrosive chemicals.

DISPOSAL

- Coopers of Stortford use recyclable or recycled packaging where possible.
- Please dispose of all packaging, paper, cartons, packaging in accordance with your local recycling regulations.



- Plastics, polybags – Contains the following recyclable plastic

Code & Symbol	
Type of Plastic	Polypropylene
Commonly used for	Microwaveable food containers, yoghurt pots, butter tubs, disposable plates and cups
Notes	Commonly recycled and collected from household recycling bins (packaging tape itself not recyclable but does not interfere with cardboard)

- At the end of the product's lifespan please check with your local council authorised household waste recycling centre for disposal.

