

PARTS:

1. Slicing blade
2. On/Off button
3. Blade lock
4. Food push
5. Sliding Food Tray
6. Base
7. Adjustment Knob
8. Safety lock
9. Lock for Thickness control plates
10. Thickness gauge

Power Details:	220-240V
	150 W
	50 Hz
Weight:	2.15Kg
Thickness of cut:	0-15mm

Please read this instruction manual thoroughly before starting and ensure you are familiar with the operation of your new Food Slicer.

SAFETY INSTRUCTIONS:

WHEN USING ELECTRICAL APPLIANCES, BASIC SAFETY PRECAUTIONS SHOULD ALWAYS BE FOLLOWED:

- READ ALL INSTRUCTIONS BEFORE USE.
- TO PROTECT AGAINST ELECTRIC SHOCK, DO NOT IMMERSE CORD, PLUG OR APPLIANCE IN WATER OR ANY OTHER LIQUID.
- UNPLUG FROM OUTLET WHEN NOT IN USE AND BEFORE CLEANING. DO NOT OPERATE ANY APPLIANCE WITH A DAMAGED CORD OR PLUG OR AFTER THE APPLIANCE MALFUNCTIONS, OR HAS BEEN DAMAGED IN ANY MANNER. WE RECOMMEND THAT THE POWER CORD IS NOT KINKED OR STORED IN A TWISTED MANNER, AND THAT YOU REGULARLY CHECK ITS CONDITION.

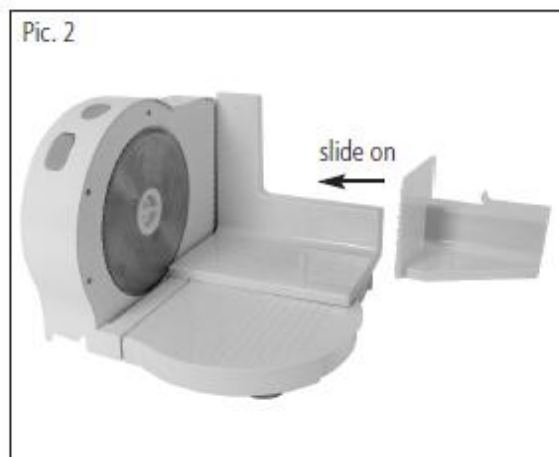
- BEFORE USE, CHECK THOROUGHLY FOR ANY DEFECTS AND DO NOT USE IF DEFECTS ARE FOUND. TAKE CARE NOT TO DROP THE APPLIANCE AS HEAVY IMPACTS MAY CAUSE INTERNAL DAMAGE.
- DO NOT WEAR LOOSE CLOTHING OR JEWELLERY AS THEY CAN BE CAUGHT IN MOVING PARTS.
- THIS UNIT CONTAINS A VERY SHARP SLICING BLADE. EXTREME CAUTION SHOULD BE USED AT ALL TIMES WHEN OPERATING THIS APPLIANCE.
- KEEP YOUR FINGERS, HANDS, HAIR AND OTHER BODY PARTS AWAY FROM THE BLADE.
- ONLY USE THIS SLICER TO CUT SOFT FOOD ANY OTHER USE WILL RESULT IN A HAZARD.
- THE USE OF ANY ACCESSORY ATTACHMENTS NOT RECOMMENDED BY COOPERS OF STORTFORD MAY CAUSE INJURIES AND INVALIDATE ANY WARRANTY YOU MAY HAVE.
- DO NOT USE OUTDOORS.
- DO NOT LET CORD HANG OVER THE EDGE OF A TABLE OR COUNTER, OR TOUCH HOT SURFACES.
- DO NOT PLACE ON OR NEAR HEAT SOURCES, AND USE ON A LEVEL, STABLE SURFACE.
- **DO NOT COVER THE ITEM IN ANY WAY WHEN IN USE AS THIS MAY CAUSE OVERHEATING.**
- **DO NOT PLACE UNDER OR NEAR FLAMMABLE MATERIALS SUCH AS CURTAINS, DRAPERIES, SHELVES, LOOSE WALL PAPER ETC.**
- DO NOT USE THIS APPLIANCE FOR ANY OTHER USE THAN THE INTENDED USE IT IS DESIGNED FOR.
- ENSURE THERE IS SUFFICIENT DISTANCE BETWEEN THIS APPLIANCE AND OTHER ITEMS ON THE WORK SURFACE OR WORK STATION, OR SUFFICIENT DISTANCE BETWEEN THE APPLIANCE AND THE CONFINES OF THE AREA IN WHICH IT IS SITUATED. WE RECOMMEND A MINIMUM CLEARANCE AROUND ALL FACES OF AT LEAST 10CM.

ASSEMBLY

- Clean all parts thoroughly before use.
- Unfold the base (6).
- Place the plastic tab on the sliding food tray (5) into the slot on the base (6) and slide along, see Pic. 1. Ensure the blade is securely fixed in position before use.
- Locate the food push (4) so that it fits over the sliding food tray (5) see Pic. 2.

OPERATION

- Select the desired thickness by turning the adjustment knob (7). The thickness is shown on the gauge on top of the unit (10).
- Position the slicer with the slicing blade on the left and the on/off button facing towards you.
- Place the foodstuff between the food push (4) and the slicing blade (1).
- Press and hold the on/off button (2) and the safety lock (8) simultaneously. The slicer will only work when both the button and the lock are pressed.
- Pull the sliding food tray towards you with your right hand to slice.
- Always use the food push (4) to keep the foodstuff up to the blade.
- To prevent food sticking to the appliance, moisten the blade with a damp cloth before slicing.
- After 5 minutes continuous use, allow to stand for 30 minutes before re-using.



Do not use this appliance to slice the following:

- Meat with bones
- Roast joints wrapped with string
- Food wrapping, e.g. foil.
- Frozen foods
- Hard foods

WARNING

- Check the mains voltage corresponds to that stated on the appliance.
- Do not pull on the power cord.
- Keep children, pets and bystanders away from the slicer during use.
- Never press the foodstuff against the blade with your hands. Always use the food pusher.
- Never touch the blade when the appliance is in use. Never try to stop the movement of the blade in any way.
- This appliance should not be used by persons (including children) with reduced physical, sensory or mental capabilities, or lack of experience and knowledge, unless they have been given supervision or instruction concerning use of the appliance by a person responsible for their safety.
- Your Food Slicer is designed for intermittent use. Do not use continuously for more than 5 minutes at a time. Allow to cool down for 30 minutes before further use.
- DO NOT touch moving parts.
- Never push food down or push food towards the cutting blade with fingers. Use a spatula or other objects during use.

PLUG WIRING (UK & IRELAND)

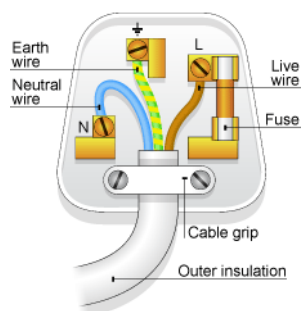
This appliance is fitted with a BS 1363 13-amp plug. If you have to replace the fuse, only those that are ASTA or BSI approved to BS1362 and with a rated current of 3-amperes should be used. If there is a fuse cover fitted, this cover must be re-fitted after changing the fuse. If the fuse cover is lost or damaged the plug must not be used. Spare fuse holders and fuses are available from electrical outlets. If the socket outlets in your home or office are not suitable for this product's plug, the plug must be removed and disposed of safely. Attempts to insert the plug into the wrong socket is likely to cause electric hazard. A replacement plug should be wired according to the following instructions:

The cable

A mains electricity cable contains two or three inner wires. Each has a core of copper and an outer layer of flexible plastic. This product is double insulated; the wires in the cord set are colour coded in the following way:

BLUE	NEUTRAL
BROWN	LIVE
GREEN & YELLOW	EARTH

The diagram below shows the key features of a correctly wired three-pin mains plug.



Note:

Double insulated appliances do not need the green & yellow Earth wire. They may only have the Brown and Blue wires.

CARE AND CLEANING INSTRUCTIONS

- Wash the, food push (4) and sliding food tray (5) in warm, soapy water. Dry thoroughly before re-attaching or storing.
- Wipe the ribbed wall of the main unit, the base (6) and slicing blade (1) clean with a soft damp cloth. Dry thoroughly before storing or using.
- The slicing blade (1) can be removed for cleaning by turning the blade lock (3) in the centre of the blade clockwise. Once cleaned, replace the blade and turn the lock anti-clockwise to secure. Take care when handling the blade to clean, it is very sharp.
- Not dishwasher safe.
- Do not use any abrasive scourers or abrasive cleaning agents as these will cause damage to the finish.

DISPOSAL

- Dispose of all packaging, paper, cartons and plastic, plastic bags in accordance with your local recycling regulations.
- At the end of the product's lifespan please dispose of it at an authorised household WEEE waste recycling centre.

