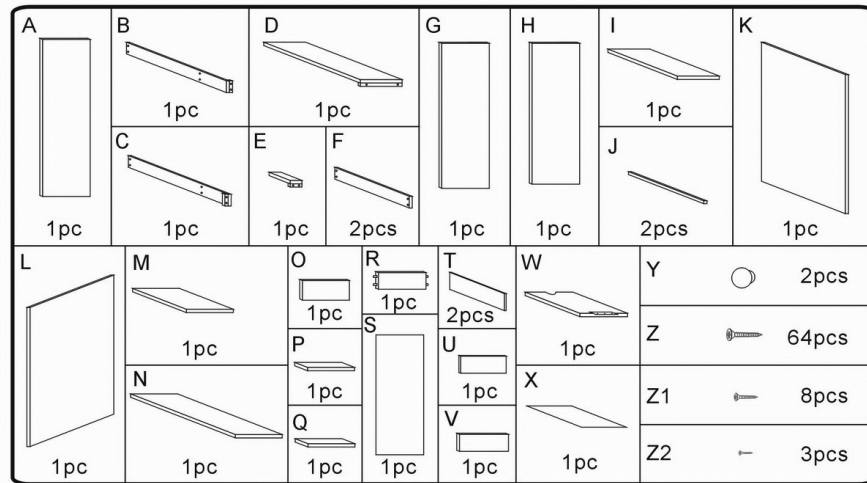
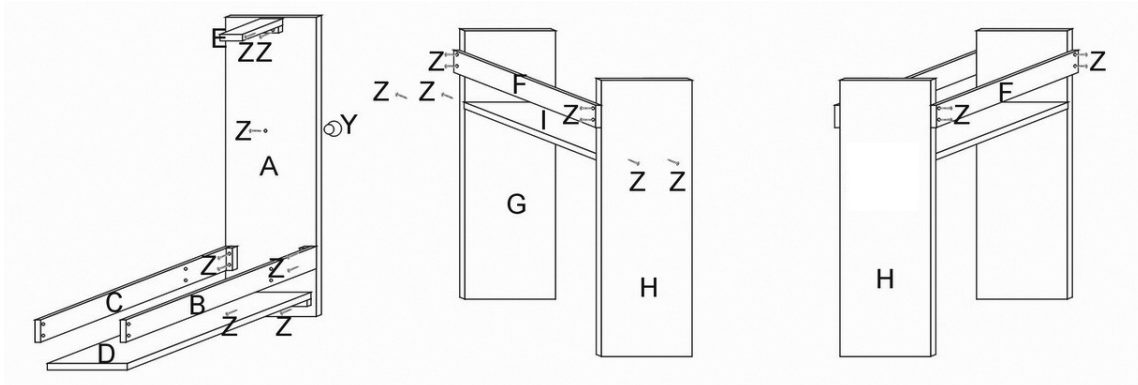


PARTS



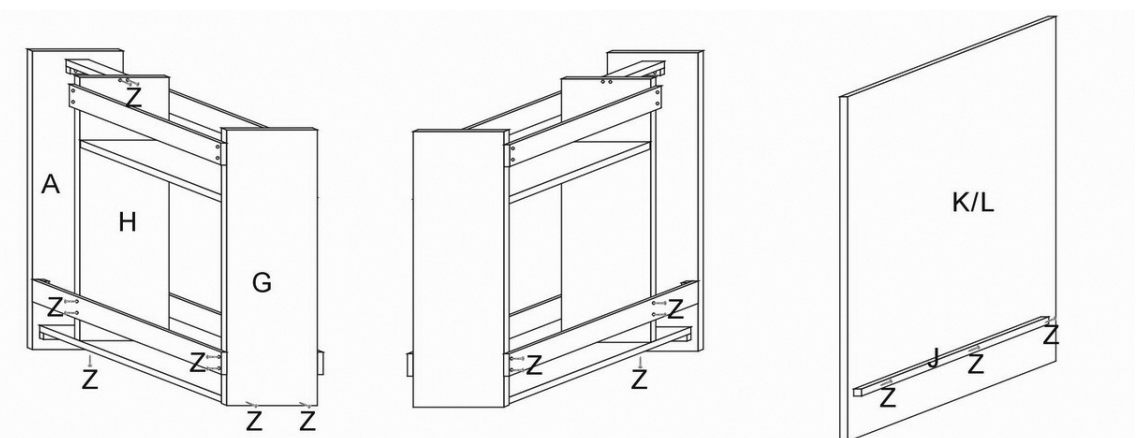
ASSEMBLY



1. Attach upper support bar (E) and lower side support bars (B & C) to front panel (A) using 6x screws (Z). Attach base shelf (D) to the assembled section using 2x screws (Z). Attach knob (Y) to the front panel (A) using 1x screw (Z).

2. Attach upper side support bar (F) and upper shelf (I) to vertical divider (G) and back support panel (H) using 8x screws (Z).

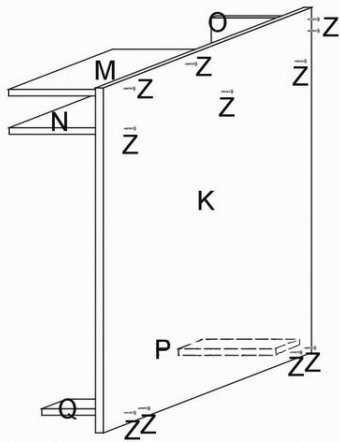
3. Attach remaining upper side support bar (F) opposite the one already attached and secure using 2x screws (Z).



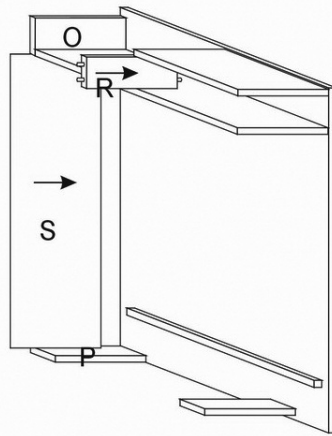
4. Join the 2x assembled sections together using 8x screws (Z).(Z). Attach knob (Y) to the front panel (A) using 1x screw (Z).

5. Secure the opposite lower side support using 4x screws (Z).

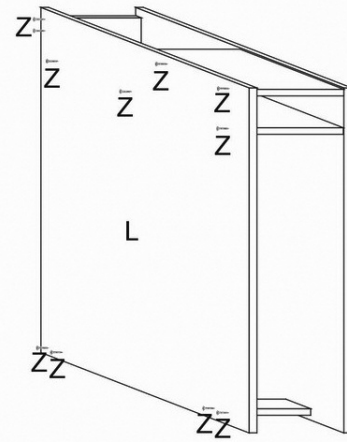
6. Attach drawer runner (J) to side panel (K) using 3x screws (Z). Repeat for side panel (L).



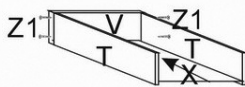
7. Attach upper back panel (O), fix top panel (M), horizontal divider (N), base support (Q) and grooved base support (P) to side panel (K) using 11x screws (Z)



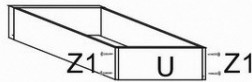
8. Fit upper divider (R) as shown and lower back panel (S) into grooves.



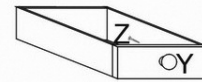
9. Attach side panel (L) to the assembled section using 11x screws (Z).



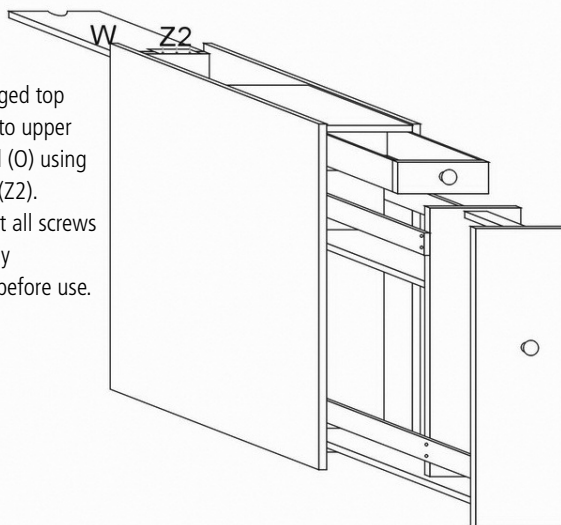
10. Attach 2x drawer side panels (T) to drawer back panel (V) using 4x screws (Z1) and slide drawer base (X) into the assembled frame.



11. Attach drawer front (U) to the assembled drawer using 4x screws (Z1).



12. Attach knob (Y) to assembled drawer using 1x screw (Z).



13. Attach hinged top panel (W) to upper back panel (O) using 3x screws (Z2). Ensure that all screws are securely tightened before use.

WARNING

- Periodically check that all screws remain secure & tighten if necessary.

CLEANING

- Wipe clean with a soft, dry cloth.

DISPOSAL

Dispose of all paper, cartons and plastic in accordance with your local recycling regulations. At the end of the product's lifespan please dispose of it at an authorised household waste recycling centre.