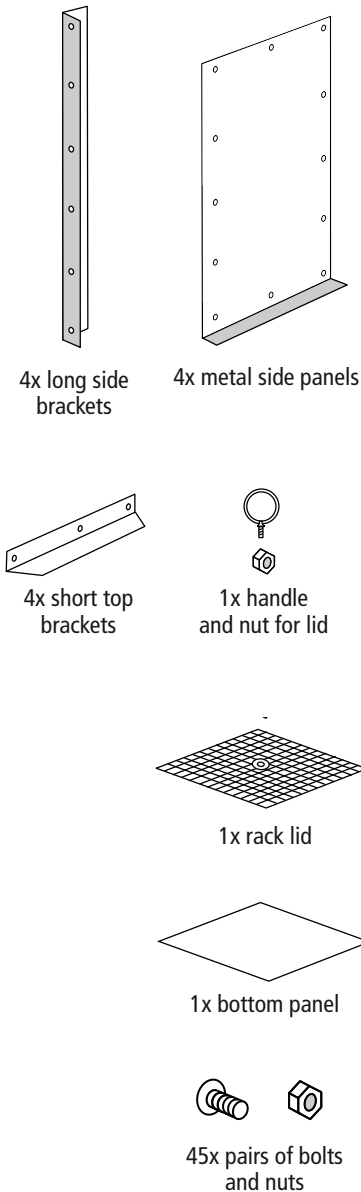
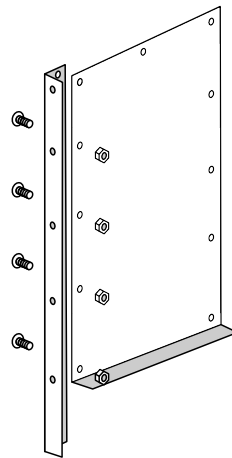


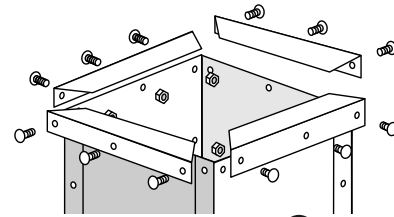
PARTS



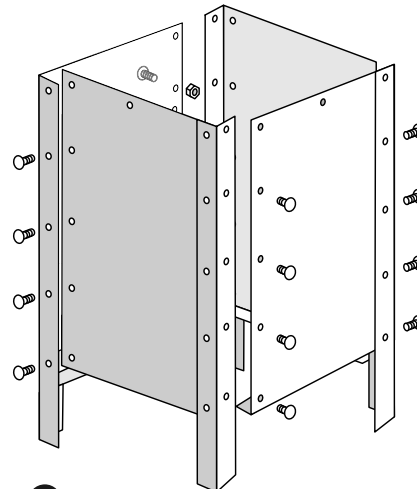
ASSEMBLY



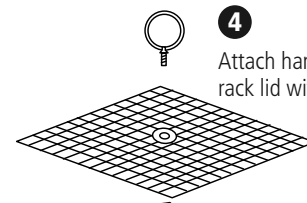
1 Attach long side bracket to metal side panel using 4 bolts and nuts. Repeat for the remaining metal panels and long brackets.



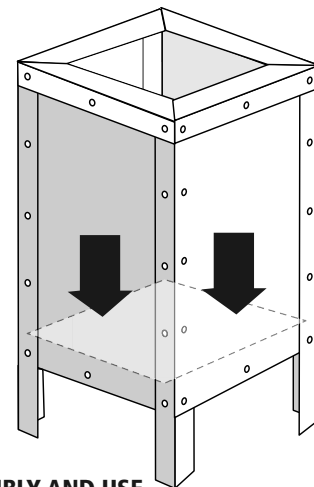
3 Attach the short top bracket using 3 bolts and nuts. Attach to centre hole and hole near the long bracket. Repeat this process for the other three.



2 Attach the leg and panels units using the bolts and nuts.



4 Attach handle to the rack lid with the nut.



5 Place the bottom panel inside on the base.

WARNING! PLEASE NOTE THAT THE EDGES OF THE METAL ARE SHARP PLEASE BE CAREFUL PLEASE REMOVE PROTECTIVE FILM BEFORE ASSEMBLY AND USE

Warnings

- Before using your garden incinerator, you should check with your local authority to see if you live in a smoke controlled area, as this may limit or prevent the use of this garden incinerator.
- Do not use the garden incinerator when there is wind as this will increase the smoke output and possibly create a nuisance to others around.
- Ensure your garden incinerator is on a firm and level surface to minimise any risk of it falling over, especially when it is burning hot.
- Use dry organic material, this will burn the best and produce the least amount of smoke.
- Take precautions against accidents. Wear thick gloves, long sleeves, sturdy shoes and eye protection.
- Burning household waste may be considered a health hazard.
- Do not burn plastic, flammable gases or liquids, pressurized containers or batteries.
- Do not overfill your incinerator, this will cause slow burning and can increase the chance of the garden incinerator toppling over.
- Try to avoid burning in very hot weather to minimise accidental fires.
- Do not use in enclosed spaces as there could be a risk of hot embers coming out of the incinerator and causing a fire.
- Do not leave your garden incinerator unattended when it is burning hot.
- Do not attempt to touch or empty the incinerator if it is still burning hot. Make sure it has had enough time to cool completely.
- Keep children and pets away from the incinerator.

Please read carefully before use and retain for future reference.

Coopers
OF STORTFORD



Instructions for use

WARNING! It is advisable to use protective gloves and glasses when using the incinerator due to the risk of hot ash.

1. Heat up the garden incinerator

- First line the bottom of the garden incinerator with crunched up newspapers and put some small twigs on top of that.
- Light the newspaper and twigs and allow a bit of time to heat up.
- You can then add some bigger branches.

2. Insert your debris

- Now put your garden rubbish into the garden incinerator and place the metal rack on top.

3. Emptying the garden incinerator

- Make sure that the fire has died out and you have allowed enough time for all the ashes to have cooled completely before touching or emptying the garden incinerator.
- To empty the garden incinerator simply remove the metal rack that sits on top and tip the garden incinerator over and pour the contents into a suitable disposal container. Alternatively you could use the ash for your own gardening needs as ash from garden materials can make a good fertiliser.

DISPOSAL

- Dispose of all paper, cartons and plastic in accordance with your local recycling regulations. At the end of the product's lifespan please dispose of it at an authorised household waste recycling centre.