

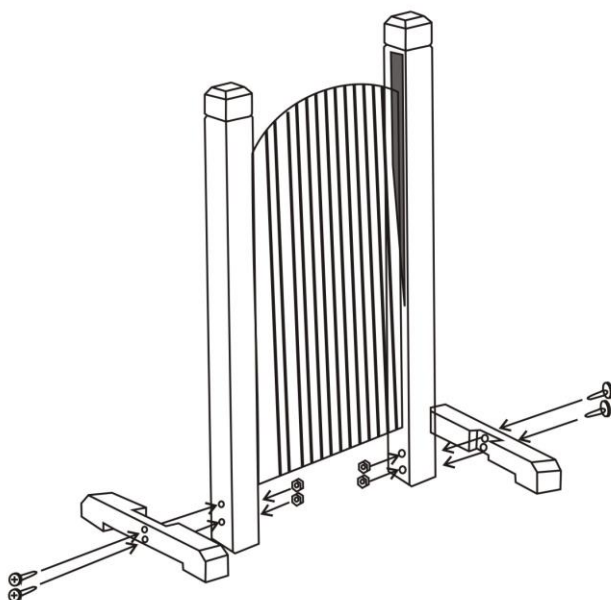


Extends from
30cm
to 150cm

height: 90cm

Assembly instructions

1



Assemble wooden stands with the nut and bolts provided as shown.

The grain of genuine wood is as unique as a fingerprint – no two pieces are exactly alike. This unique difference will create variations in shading when the protective stain is applied. Enjoy this “one-of-a-kind” expandable fence for years to come.

Warning:

Keep away from children and small pets.

DISPOSAL

- Dispose of all packaging, paper, cartons, plastic and plastic bags in accordance with your local recycling regulations.
- At the end of the product’s lifespan, please dispose of it at an authorised household waste recycling centre.