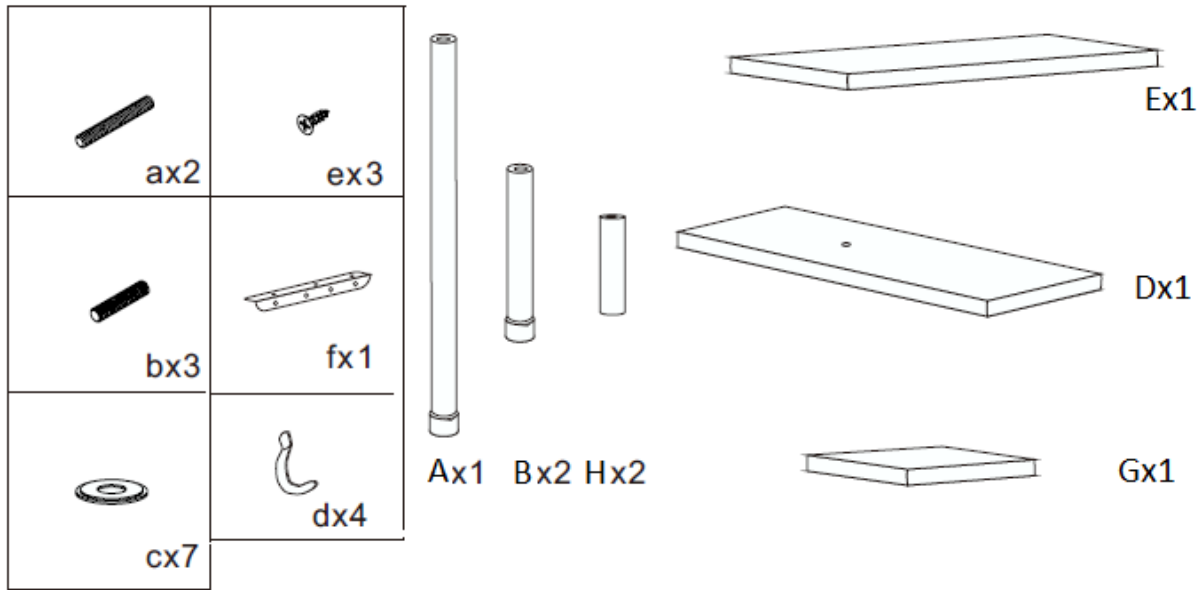
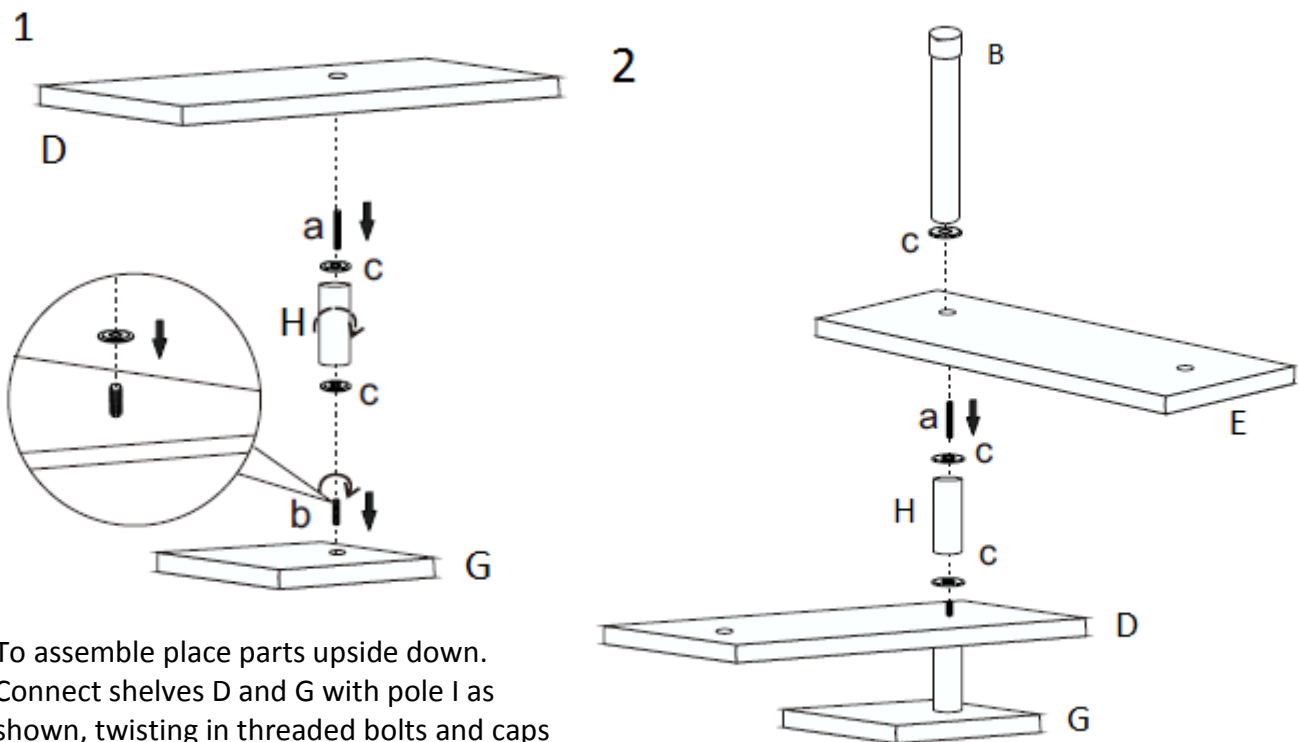


### PARTS:



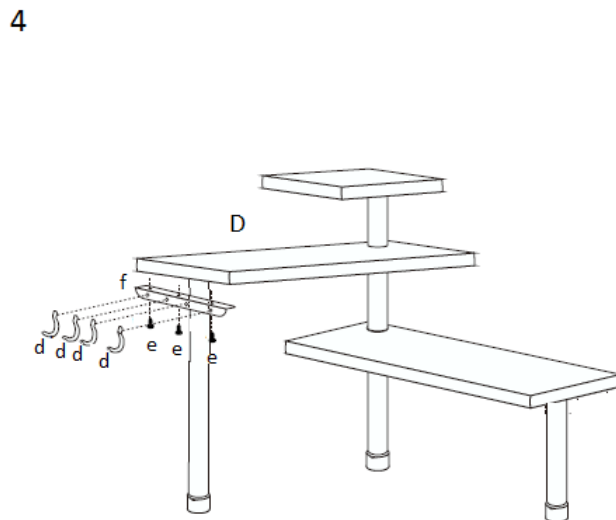
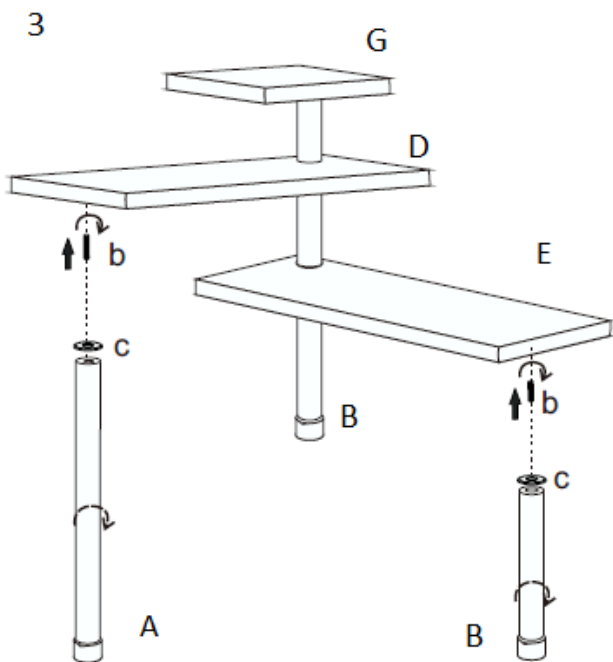
Dimensions: 43cm x43cm x 38cm

### ASSEMBLY INSTRUCTIONS:



To assemble place parts upside down. Connect shelves D and G with pole I as shown, twisting in threaded bolts and caps as specified.

Connect shelf E with assembled parts, then connect part B with rubber foot pointing up.




Turn right way up and fit 1x part G to D, and 1x part B to E as shown.

Fix hook rail (f) underneath shelf D as shown with 3x screws (e). Hook on hooks (d).

### DISPOSAL

- Coopers of Stortford use recyclable or recycled packaging where possible.
- Please dispose of all packaging, paper, cartons, packaging in accordance with your local recycling regulations.
- Plastics, polybags – Contains the following recyclable plastic.



Code & Symbol	 HDPE
Type of Plastic	High-Density Polyethylene
Commonly used for	Milk bottles, cleaning product bottles, yoghurt pots, butter tubs and other food containers
Notes	Commonly recycled and collected from household recycling bins. Check with your local authority

- At the end of the product's lifespan please check with your local council authorised household waste recycling centre for disposal.