

# Folding Garden Trolley

11457

# Instructions for Use





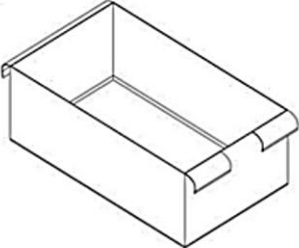


Please read and retain these instructions for future reference

v001: 26/11/18



Max Capacity: 80 Kgs

## Parts list

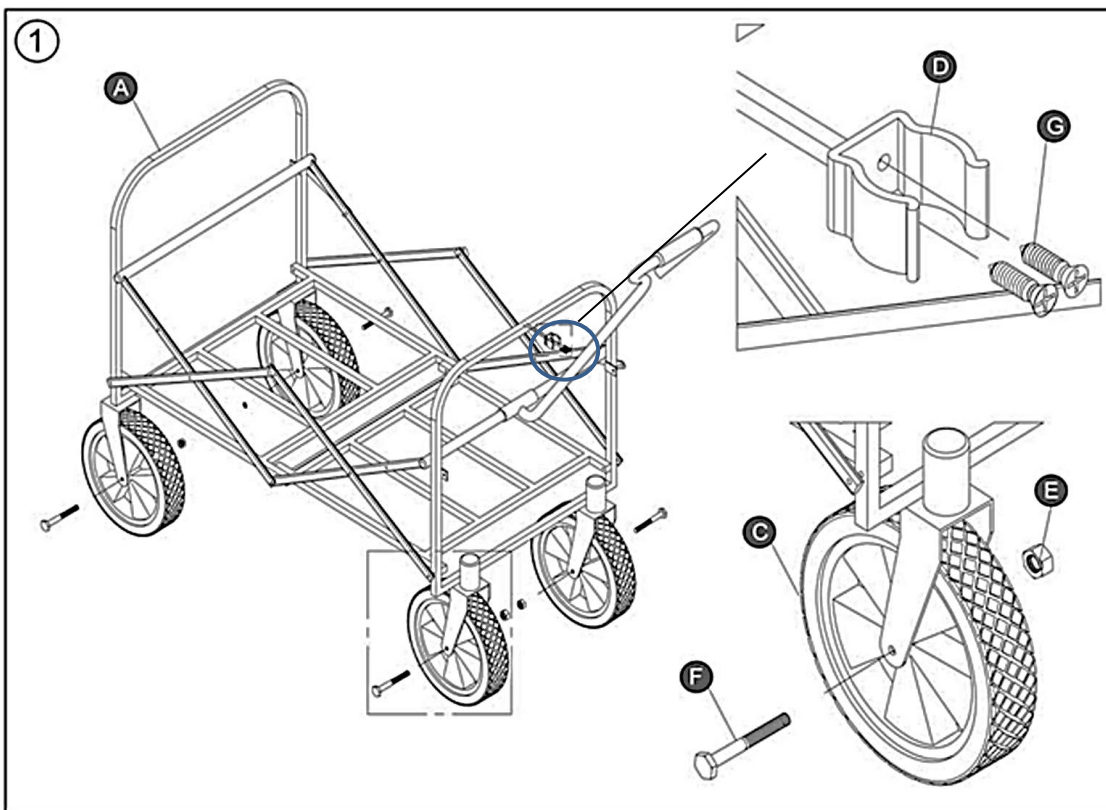
 <p>1pc</p>	 <p>4pcs</p>	 <p>4pcs</p>	 <p>2pcs</p>
 <p>1pc</p>	 <p>1pc</p>	 <p>4pcs</p>	

\*Calls cost 7 pence per minute plus your telephone company's network access charge

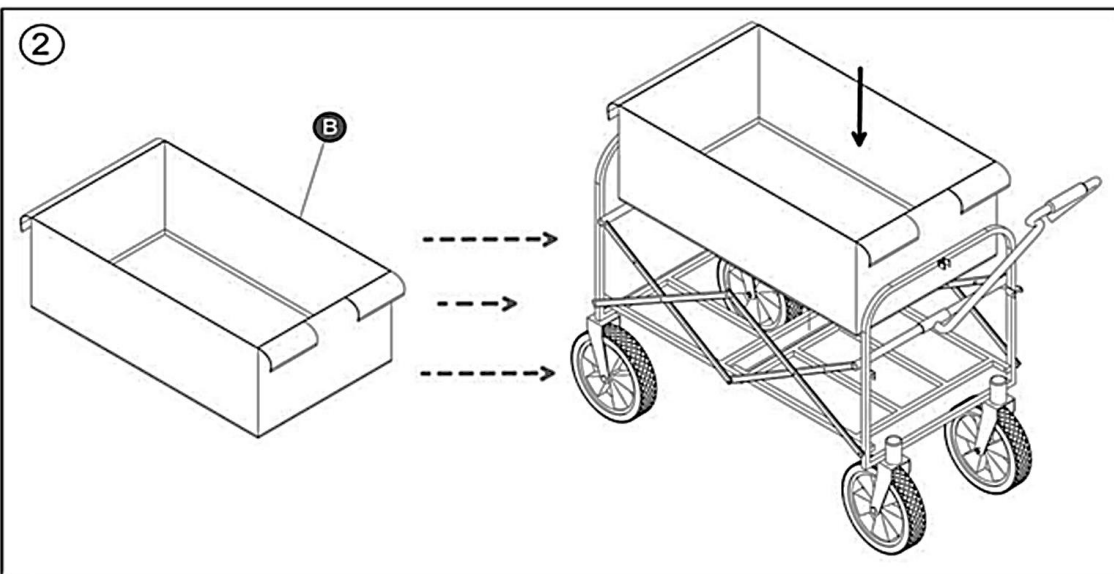
Head Office, 11 Bridge Street,  
Bishop's Stortford CM23 2JU  
Tel: 0844 482 4400\*  
Fax: 01279 756 595  
[www.coopersofstortford.co.uk](http://www.coopersofstortford.co.uk)

**Coopers**  
OF STORTFORD

## Assembly



Unfold part A and attach wheels (C) using 4x nuts (F) and 4x bolts (E). Attach part D where indicated using 2x screws G. The bracket can be used to hold the handle up when trolley is not in use.

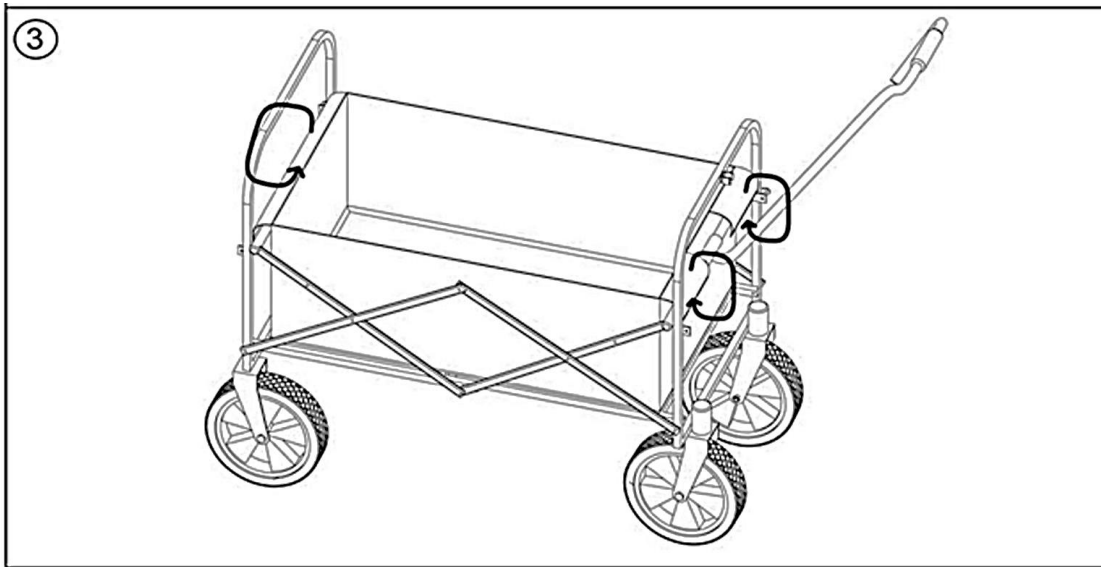


Insert part B into assembled trolley as shown.

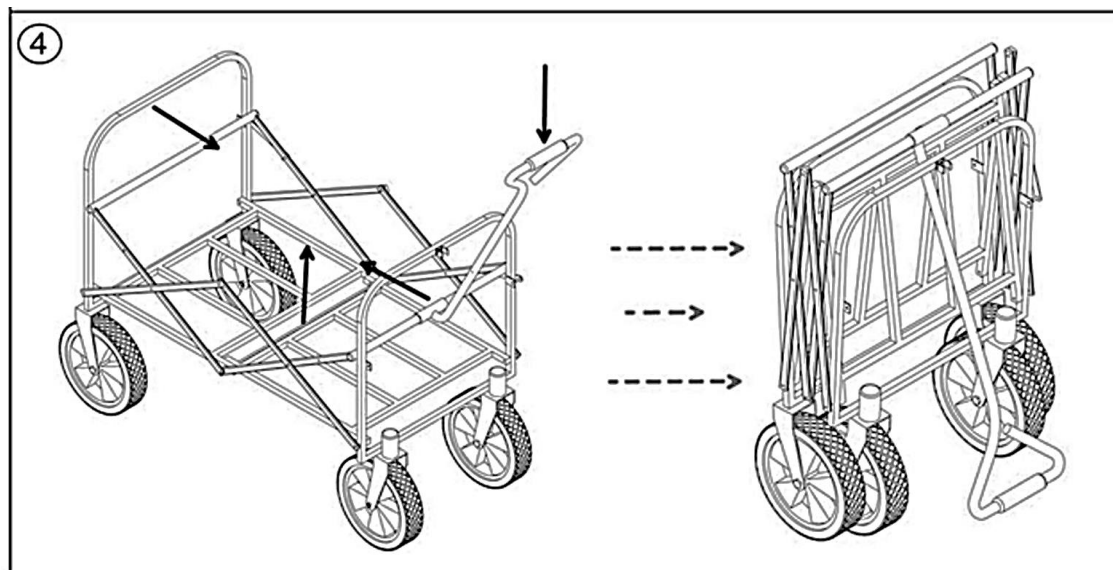
Head Office, 11 Bridge Street,  
Bishop's Stortford CM23 2JU  
Tel: 0844 482 4400\*  
Fax: 01279 756 595  
www.coopersofstortford.co.uk

**Coopers**  
OF STORTFORD

\*Calls cost 7 pence per minute plus your telephone company's network access charge



Fold edges over middle bar. Fix with hook and loop system.



To fold up trolley remove part B then lift middle section and push side bars towards the middle. Push down handle and secure as shown in the bracket.

**CARE AND CLEANING INSTRUCTIONS:**

- Wipe with a clean dry cloth.
- Do not overload. Maximum Capacity is 80Kgs.

**DISPOSAL**

- Dispose of all packaging, paper, cartons, plastic and plastic bags in accordance with your local recycling regulations.
- At the end of the product’s lifespan please dispose of it at an authorised household waste recycling centre.