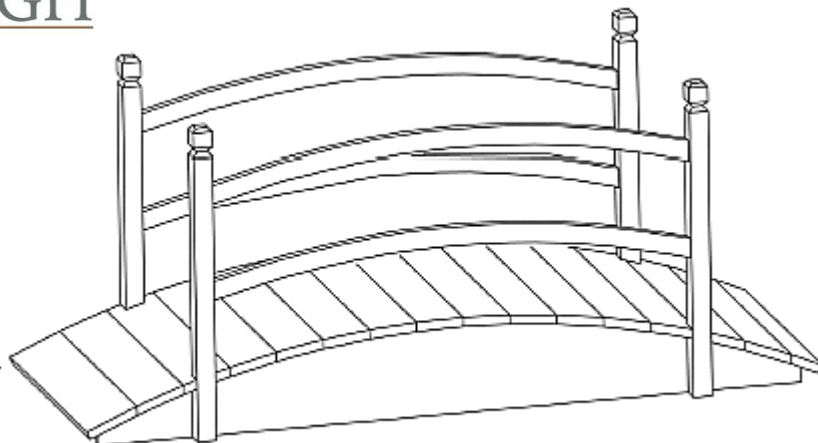


GAINSBOROUGH

Garden & Wildlife

Dimensions:
60cm x 145cm x 60cm



ASSEMBLY INSTRUCTIONS:

Max load of 150Kgs (23st 8.7lbs) approx.

Parts list

A. 4pcs Pole



B. 4pcs Rail



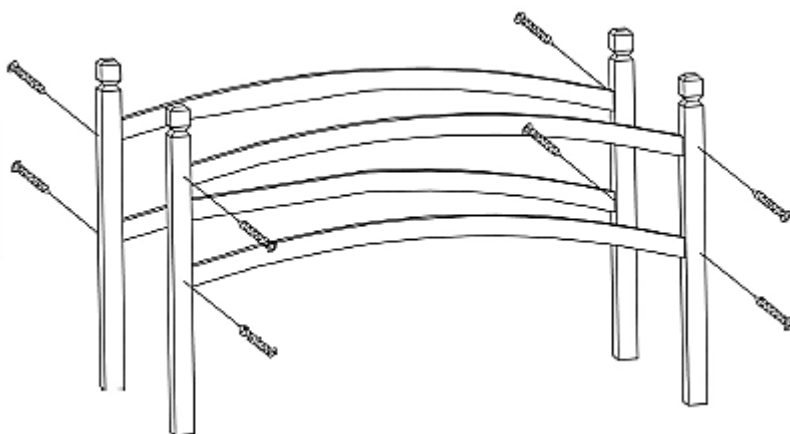
C. 1pc Bridge

8 pcs short screw

8 pcs long screw

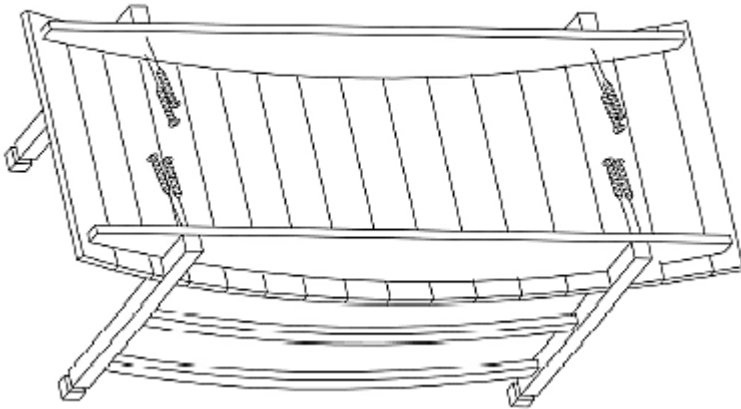
Tools required: cross head screwdriver (not included)

1.



Fix the rails on the poles with 8 short screws.

2.



**Fix the poles on the bridge with 8 long screws.
(View shows underneath bridge)**

Maintenance

Your garden bridge comes pre-treated for all weather protection. It may be re-painted using a suitable outdoor water based paint.

DISPOSAL

- Dispose of all packaging, paper, cartons, plastic and plastic bags in accordance with your local recycling regulations.
- At the end of the product's lifespan please dispose of it at an authorised household waste recycling centre.