



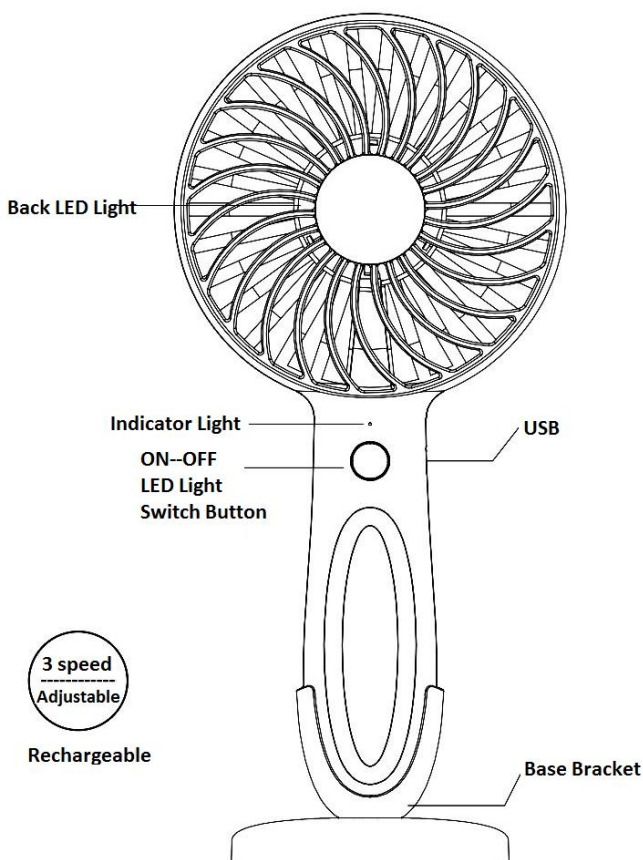
Power Details:

Input: DC 5V-0.8A(MAX)

Rechargeable Battery: 18650 Li-ion 1200mAh

Accessories: USB cable, instruction manual

Product Overview



Function Operation:

3-speed options:

1st speed (low), press Switch button once to turn on the power.

2nd speed (medium), press Switch button twice.

3rd speed (high), press Switch button three times.

Press the Switch button four times to turn off the Fan.

Emergency LED light mode:

Press and hold the Switch button for 2 seconds, the LED light at the back of the fan will come on; press and hold the Switch button 2 seconds again to turn it off.

Battery charging:

1. Connect fan to a PC/Laptop or Mac or any 5V USB adaptor through the USB cable (included).
2. The red LED light will turn ON when charging, and turn OFF when fully charged.
3. Unplug the USB cable when fully charged.
4. The white LED will turn on when the fan is working.

Remarks

- Charge battery around 2 hours before first use.
- Charge the battery at least once a month.

SAFETY INSTRUCTIONS:

- WHEN USING ELECTRICAL APPLIANCES, BASIC SAFETY PRECAUTIONS SHOULD ALWAYS BE FOLLOWED:
- READ ALL INSTRUCTIONS BEFORE USE.
- TO PROTECT AGAINST ELECTRIC SHOCK, DO NOT IMMERSE CORD, PLUG OR APPLIANCE, IN WATER OR ANY OTHER LIQUID.
- UNPLUG FROM OUTLET WHEN NOT IN USE AND BEFORE CLEANING.
- DO NOT OPERATE ANY APPLIANCE WITH A DAMAGED CORD OR PLUG OR AFTER THE APPLIANCE MALFUNCTIONS, OR HAS BEEN DAMAGED IN ANY MANNER. WE RECOMMEND THAT THE POWER CORD IS NOT KINKED OR STORED IN A TWISTED MANNER, AND THAT YOU REGULARLY CHECK ITS CONDITION.
- THE USE OF ANY ACCESSORY ATTACHMENTS NOT RECOMMENDED BY COOPERS OF STORTFORD MAY CAUSE INJURIES AND INVALIDATE ANY WARRANTY YOU MAY HAVE.
- DO NOT LET CORD HANG OVER THE EDGE OF A TABLE OR COUNTER, OR TOUCH HOT SURFACES.
- DO NOT PLACE ON OR NEAR HEAT SOURCES.
- DO NOT COVER THE ITEM IN ANY WAY WHEN IN USE AS THIS MAY CAUSE OVERHEATING.
- DO NOT USE THIS APPLIANCE FOR ANY OTHER USE THAN THE INTENDED USE IT IS DESIGNED FOR.
- BEFORE USE, CHECK THOROUGHLY FOR ANY DEFECTS AND DO NOT USE IF DEFECTS ARE FOUND. TAKE CARE NOT TO DROP THE APPLIANCE AS HEAVY IMPACTS MAY CAUSE INTERNAL DAMAGE.

WARNING

- CHECK THE APPLIANCE AND POWER CABLE CAREFULLY FOR DAMAGE BEFORE EACH USE.
- KEEP THE APPLIANCE AWAY FROM CHILDREN.
- THIS APPLIANCE CAN BE USED BY CHILDREN AGED FROM 8 YEARS AND ABOVE AND PERSONS WITH REDUCED PHYSICAL, SENSORY OR MENTAL CAPABILITIES OR LACK OF EXPERIENCE AND KNOWLEDGE IF THEY HAVE BEEN GIVEN SUPERVISION OR INSTRUCTION CONCERNING USE OF THE APPLIANCE IN A SAFE WAY AND UNDERSTAND THE HAZARDS INVOLVED. CHILDREN SHALL NOT PLAY WITH THE APPLIANCE. CLEANING AND USER MAINTENANCE SHALL NOT BE MADE BY CHILDREN WITHOUT SUPERVISION.
- CHILDREN OF LESS THAN 3 YEARS SHOULD BE KEPT AWAY UNLESS CONTINUOUSLY SUPERVISED.

Please read and retain these instructions for future reference

v001: 03/12/18

- DO NOT USE IF THE USB CORD IS DAMAGED. TO BE REPAIRED BY A QUALIFIED ELECTRICIAN OR TO BE REPLACED BY THE MANUFACTURER, SERVICE AGENT OR SIMILARLY QUALIFIED PERSON, IN ORDER TO AVOID A HAZARD.

CARE AND CLEANING INSTRUCTIONS:

- Always switch off when not in use.
- Do NOT immerse in water. Risk of electric shock.
- Do NOT use abrasive cleaners or sharp utensils to clean this appliance.
- Wipe with a soft dry cloth.
- Allow to dry thoroughly before further use.
- Store the unit in a cool, dry place.

BATTERIES

- Keep batteries away from children and pets.
- Never dispose of batteries in a fire.
- Keep batteries away from children and pets.
- Battery disposal, spent or expired batteries must be properly disposed of and recycled in compliance with local regulations. For detailed information, contact your local authority.
- Follow the battery manufacturer's safety, usage, and disposal instructions.

DISPOSAL

- Dispose of all packaging, paper, cartons, plastic and plastic bags in accordance with your local recycling regulations.
- At the end of the product's lifespan please dispose of it at an authorised household WEEE waste recycling centre.

