

Helicopter Chair

11553

Instructions for Use

Please read and retain these instructions for future reference

v001: 31/12/18



2 Person
assembly

Max. load:
150kg

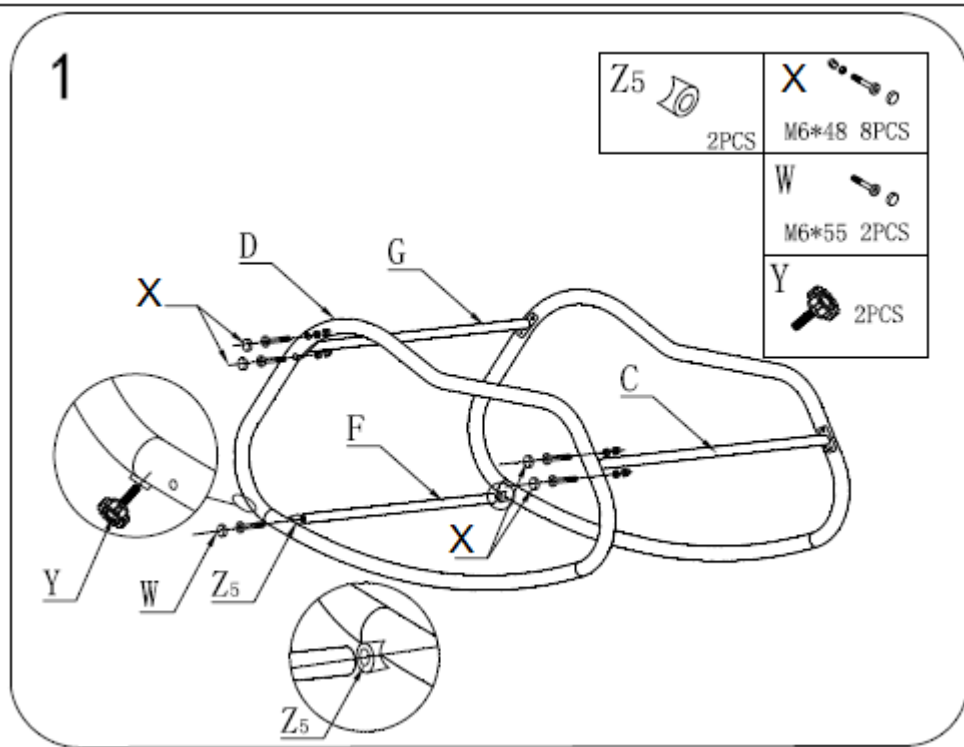
**For Outdoor
use only. Not
Designed for
Indoor use.**

A	x1	
B	x2	
C	x1	
D	x2	
E	x1	
F	x1	
G	x1	
H	x1	
I	x1	
J	x2	
K	x2	
L	x2	
M	x1	
N	x1	
O	x1	
P	x2	
Q	x2	
R	x2	
S	x2	
T	x4	
U	x4	
V	x2	
W	x2	
W ₁	x2	
X	x8	
Y	x2	
Z	x1	
Z1	x1	
Z2	x1	
Z3	x1	
Z4	x1	
Z5	x2	
Z6	x2	
Z6	x1	
M6x30		
M6x35		
M6x22		
M6x15		
M8x48		
M8x90		
M6x55		
M6x48		

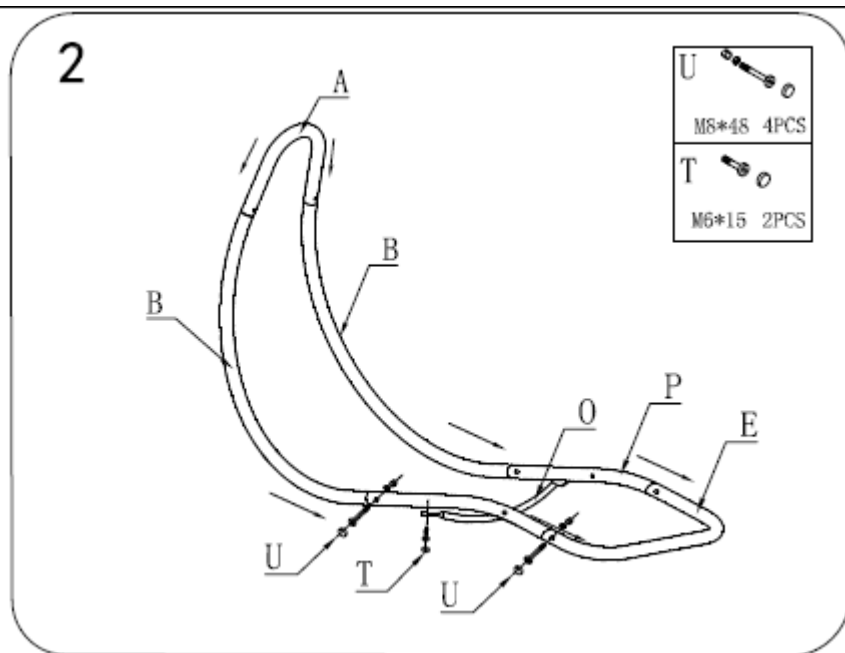
Head Office, 11 Bridge Street,
Bishop's Stortford CM23 2JU
Tel: 0844 482 4400*
Fax: 01279 756 595
www.coopersofstortford.co.uk

Coopers
OF STORTFORD

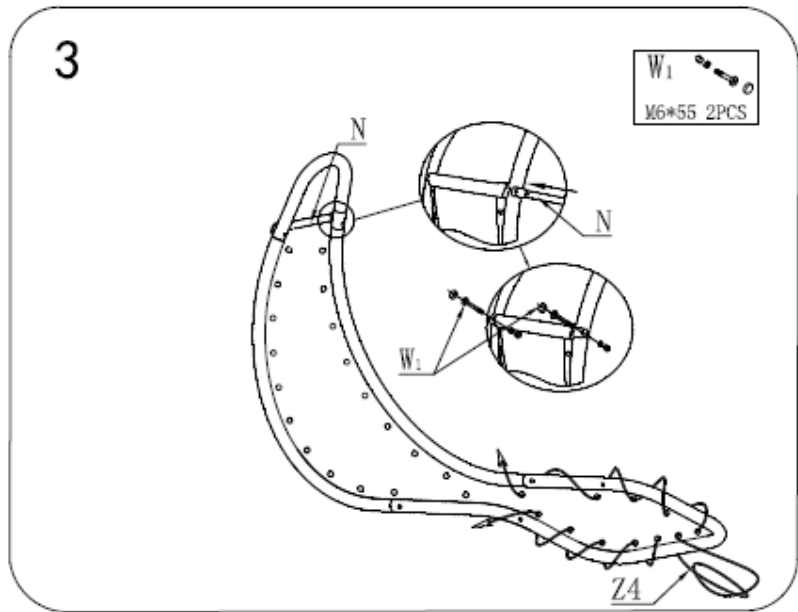
*Calls cost 7 pence per minute plus your
telephone company's network access charge



Join 2x parts D in three places
 (make sure the holes are facing upwards)
 At bottom with part F with 1x part W on both sides and Z5 as shown on both sides
 At the front with part C using part X on both sides
 At the top with part G using part 2 on both sides.



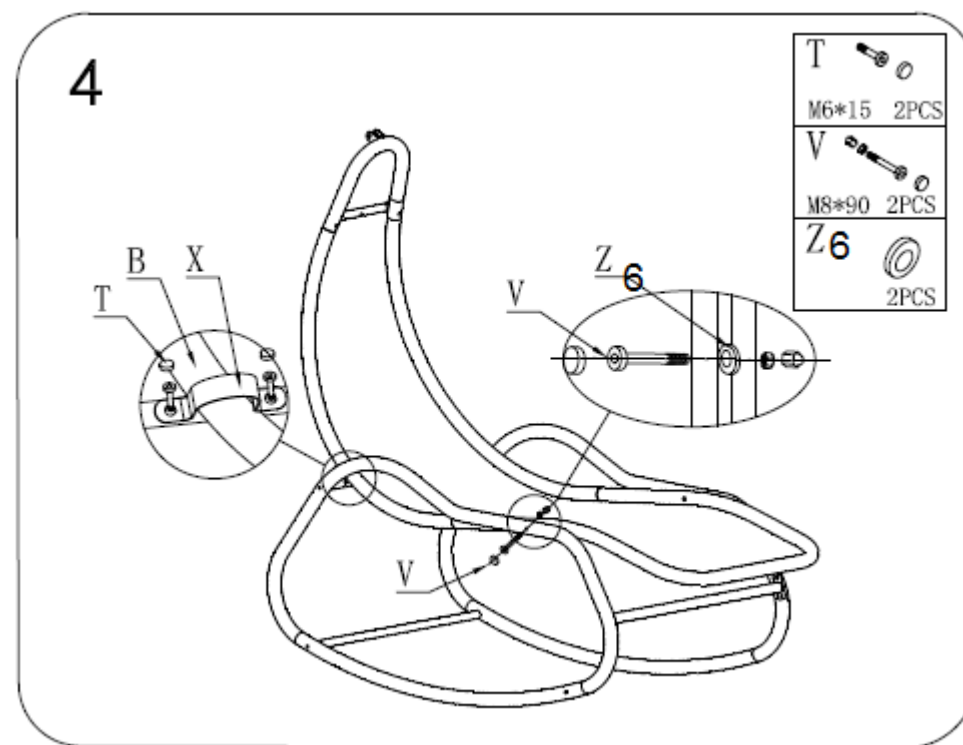
Slot 2x parts B into part A (slightly bent)
 Connect parts E and P with O then attach to rest of assembly with parts U and T on both sides.



Wrap cord (Z4) from bottom to top through holes in Z1, pull tight to have enough cord, then tie up and tuck in.

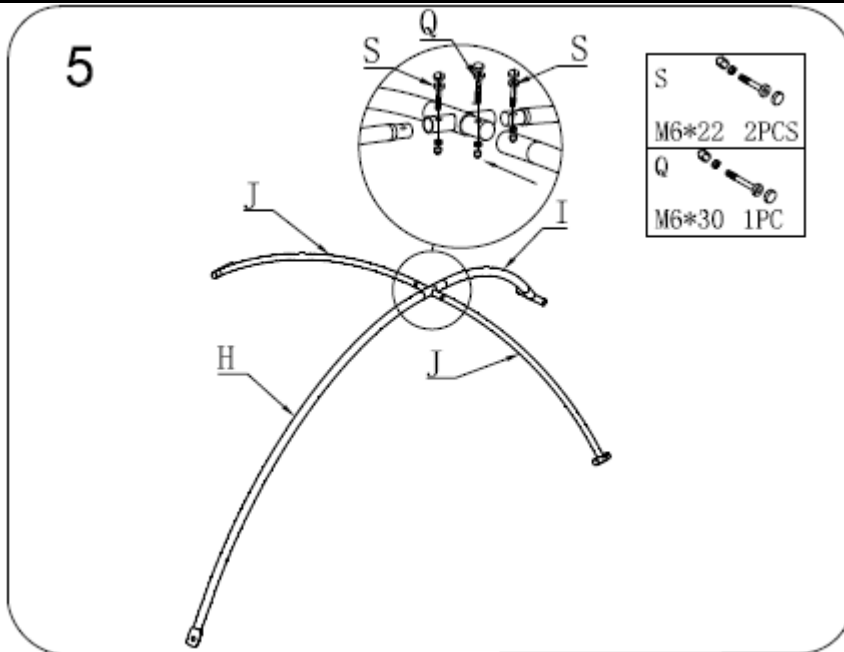


Push bar N through loop at the top of part Z1 and fix with 2xW1 as shown.

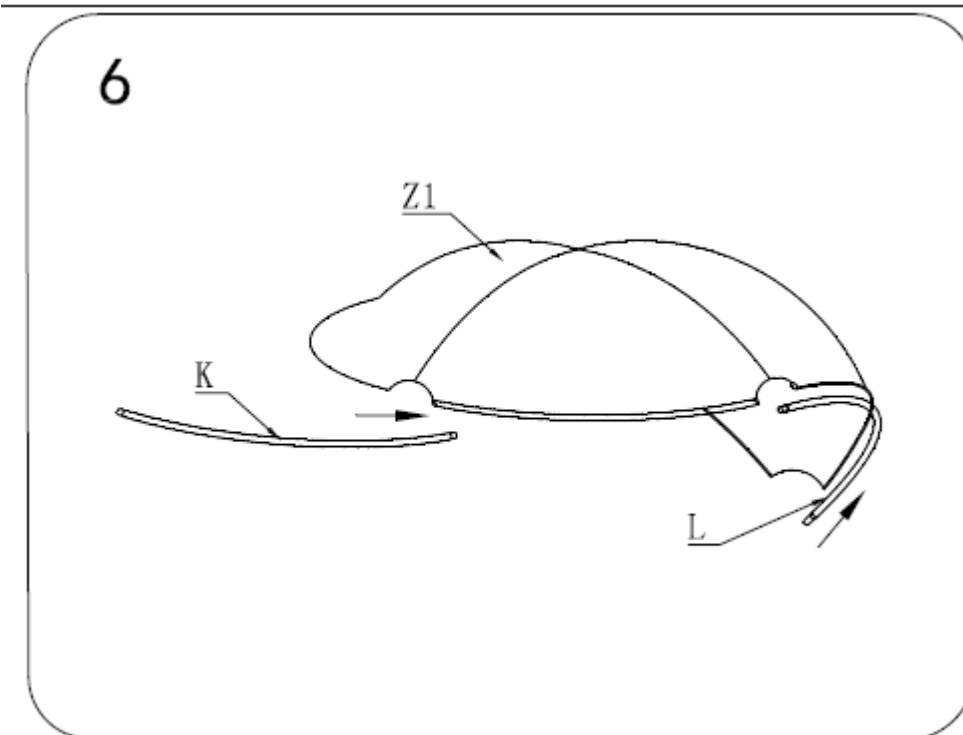


Connect both assemblies where indicated using bracket X where shown with part T on either side of B.

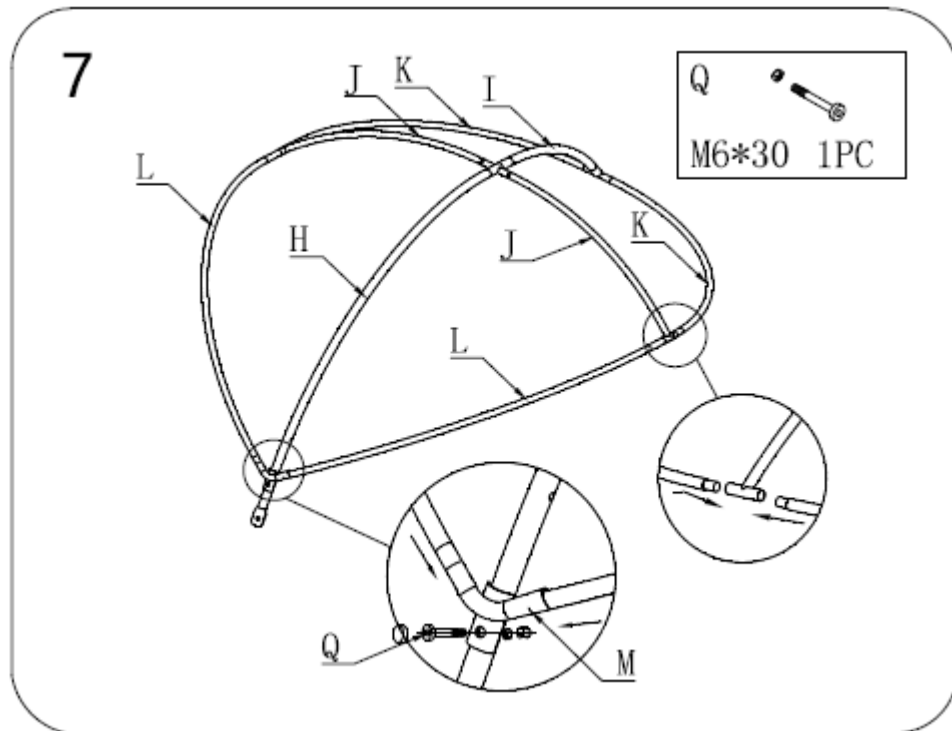
On both sides where indicated, insert part Z6 (on both sides) between the two assemblies using part V.



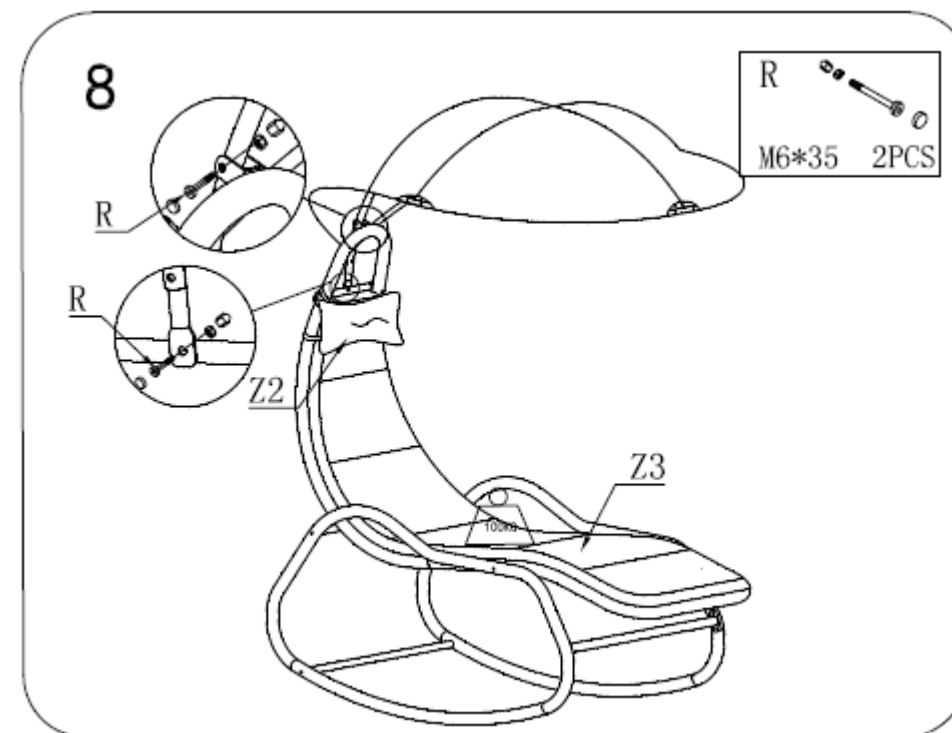
Connect part J and I and H as shown using parts Q (x1) and S (x2) as shown.



Push parts K and L on both sides of Z1 through the tunnels.



Push part H through middle canopy tunnel and connect with part M using 1x part Q.



Connect canopy where shown to chair through pre-punched holes in two places using part R (2x).

Fit cushion (Z3) and top cushion (Z2) using hook and loop straps.

DISPOSAL

- Dispose of all packaging, paper, cartons, plastic and plastic bags in accordance with your local recycling regulations.
- At the end of the product's lifespan please dispose of it at an authorised household waste recycling centre.