



Assembly Instructions **Miami 2 Seater Swing**

Code: 00496

v17



(W x D x H): 1.89m x 1.62m x 1.80m



ONLINE ASSEMBLY VIDEO AVAILABLE

Please scan the QR code or visit zestoutdoorlivingsupport.co.uk/assembly-search/



PLEASE KEEP THESE INSTRUCTIONS

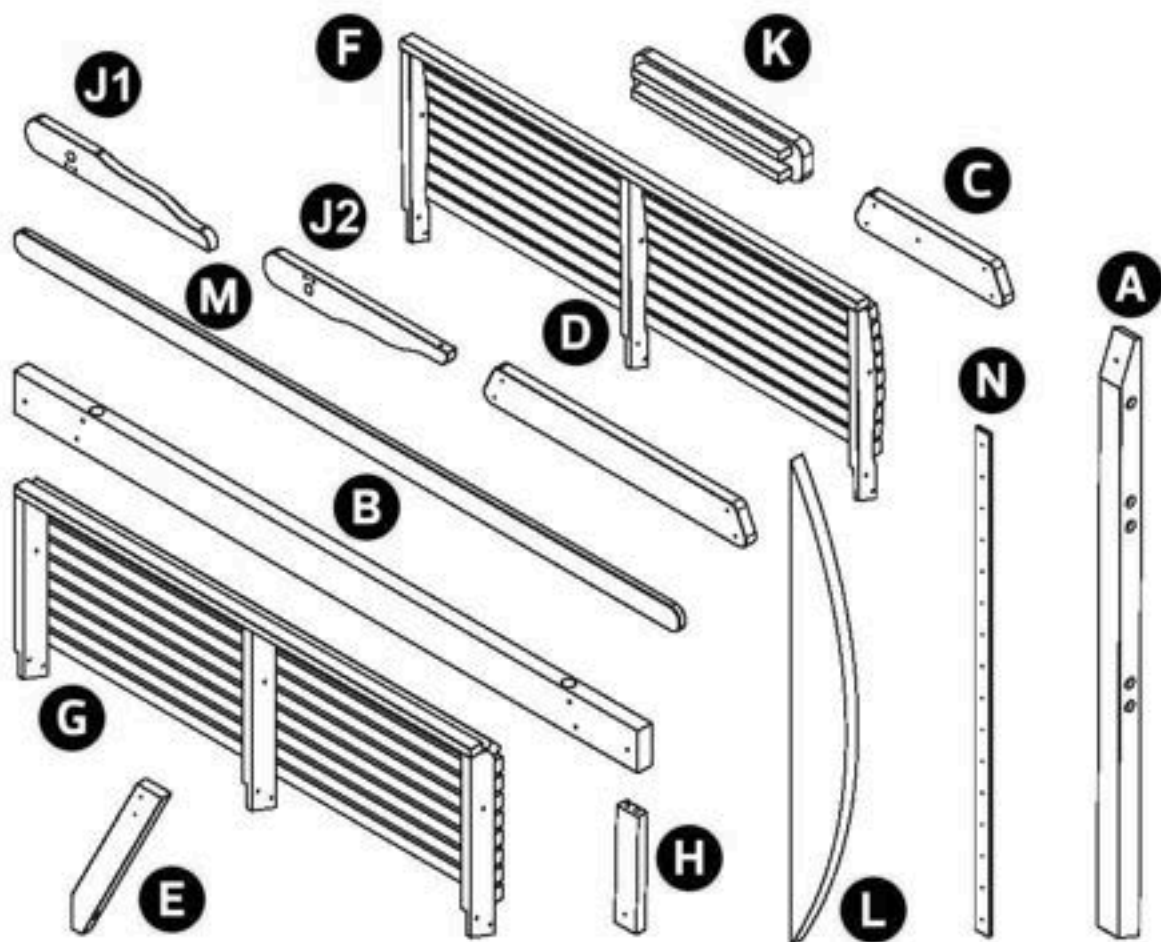
Miami 2 Seater Swing Assembly Instructions

Requires 2 person assembly

Tools required: 13mm & 19mm Sockets & Ratchet, Corded/ Cordless Drill as all screw holes need to be pre-drilled, *Pozi-drive Bit (*Crosshead), Pozi-drive Screwdriver, Mallet.

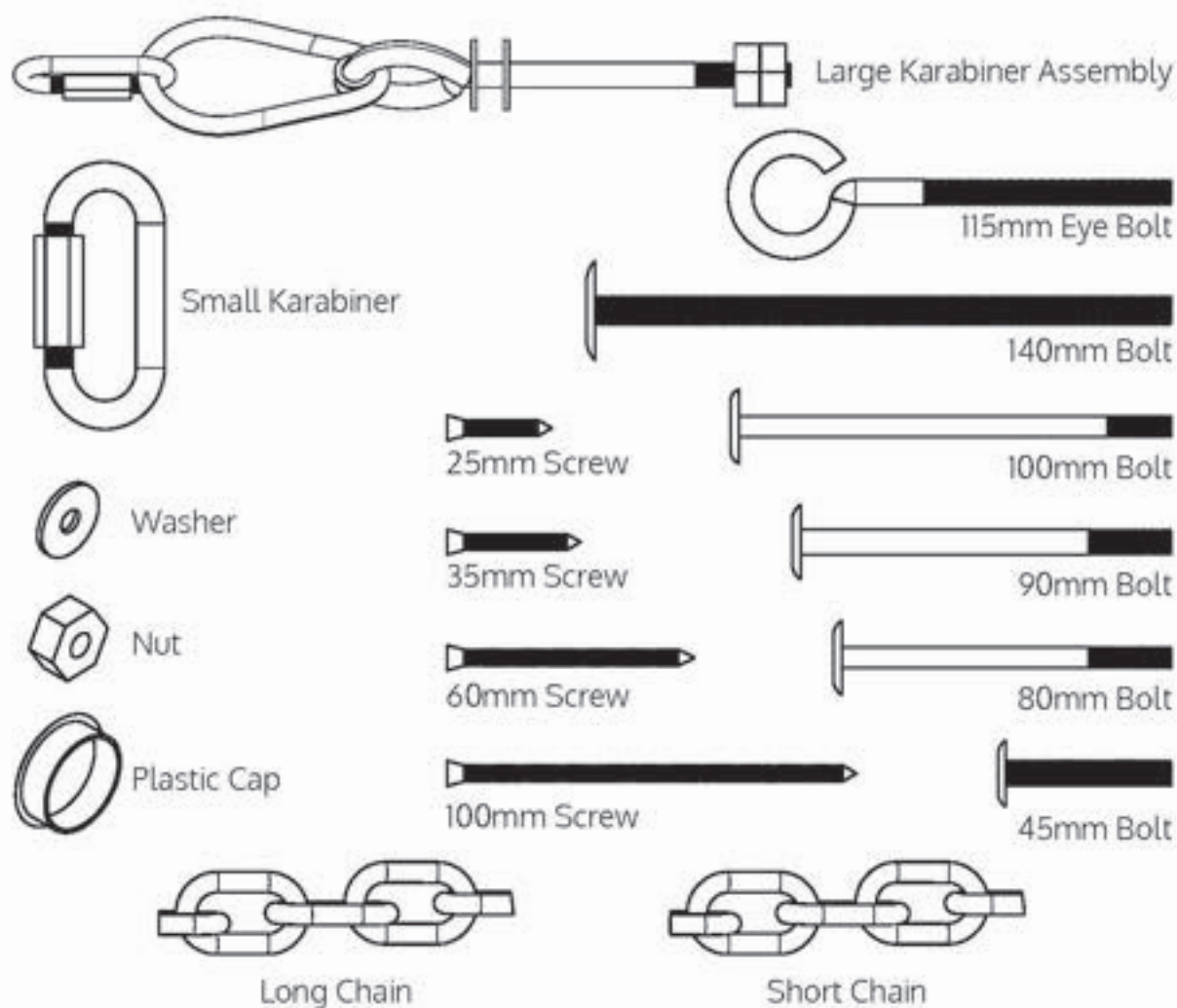
Please take a few moments to check all pack contents listed

Miami 2 Seater Swing Pack List			
Code	Item	Description	Quantity
09186	A	Legs	4
09190	B	Beam	1
09191	C	Horizontal Short Brace	2
09192	D	Horizontal Long Brace	2
09193	E	Diagonal Brace	2
09194	F	Seat Back	1
09195	G	Seat	1
09196	H	Armrest Support	2
09197	J1	Arm Rest Right	1
09198	J2	Arm Rest Left	1
09199	K	Shelf	2
09201	L	Slat Supports	2
09200	M	Canopy Slats	16
09202	N	Centre Batons	1



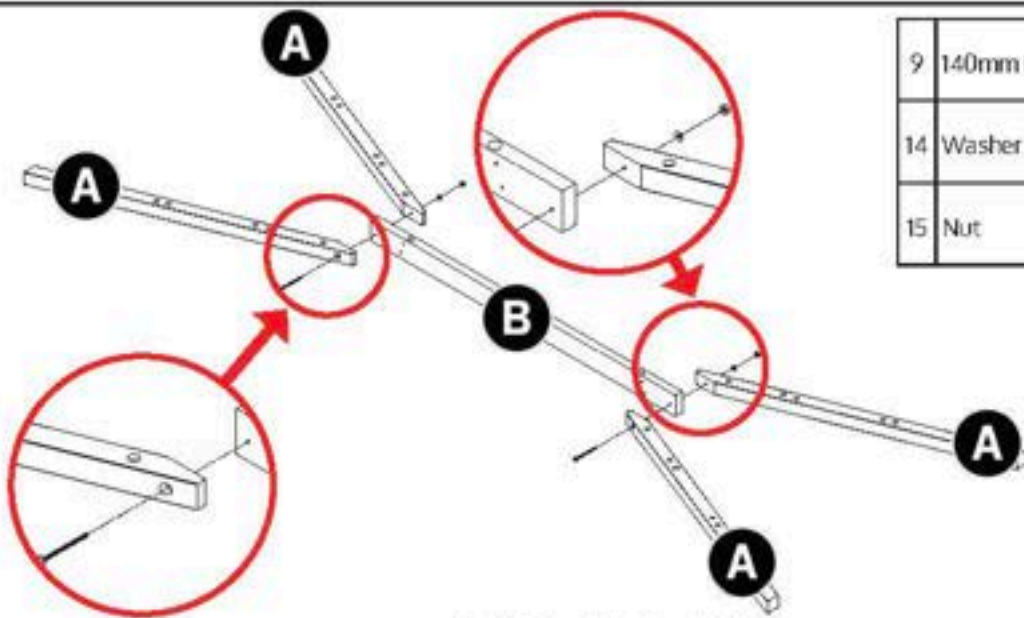
This product is made from pressure-treated timber. It should not be painted or coated with any other treatment until at least 6 months after purchase




10305 - Miami 2 Seater Fixings List		
Item	Description	Quantity
1	25mm Screws	16
2	35mm Screws	4
3	60mm Screws	30
4	100mm Screws	2
5	45mm Bolt	6
6	80mm Bolt	2
7	90mm Bolt	4
8	100mm Bolt	18
9	140mm Bolt	2
10	115mm Eye Bolt	4
11	Long Chain	2
12	Short Chain	2
13	Small Karabiner	2
14	Washer	40
15	Nut	36
16	Plastic Cap	4
17	150mm Eye Bolt, Large Karabiner, Small Karabiner, Washers & Nuts	2



This product is made from pressure-treated timber. It should not be painted or coated with any other treatment until at least 6 months after purchase

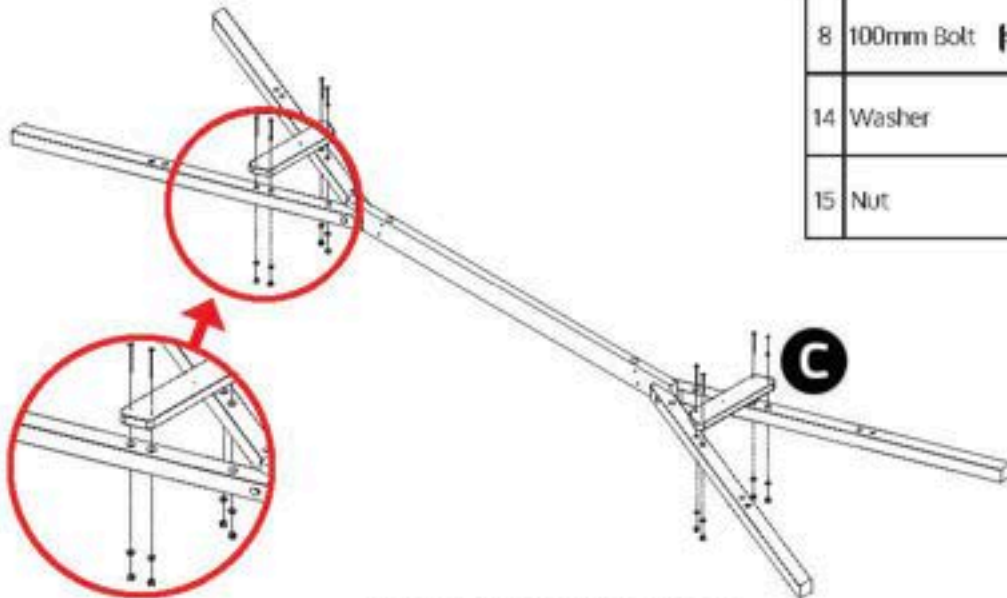
1






9	140mm Bolt		x2
14	Washer		x2
15	Nut		x2

Do Not Fully Tighten at This Stage

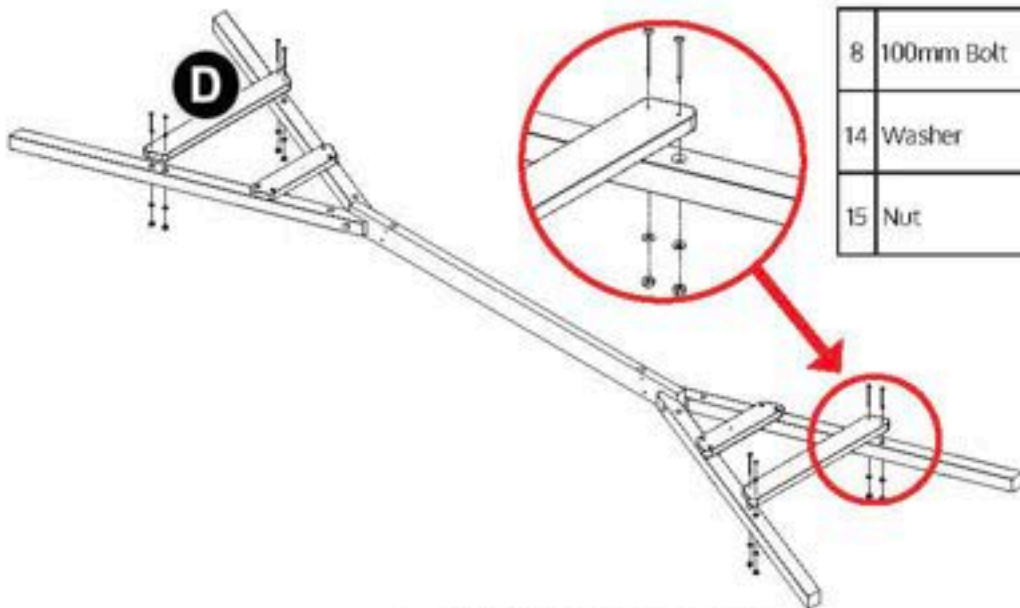
2






8	100mm Bolt		x8
14	Washer		x8
15	Nut		x8

Do Not Fully Tighten at This Stage

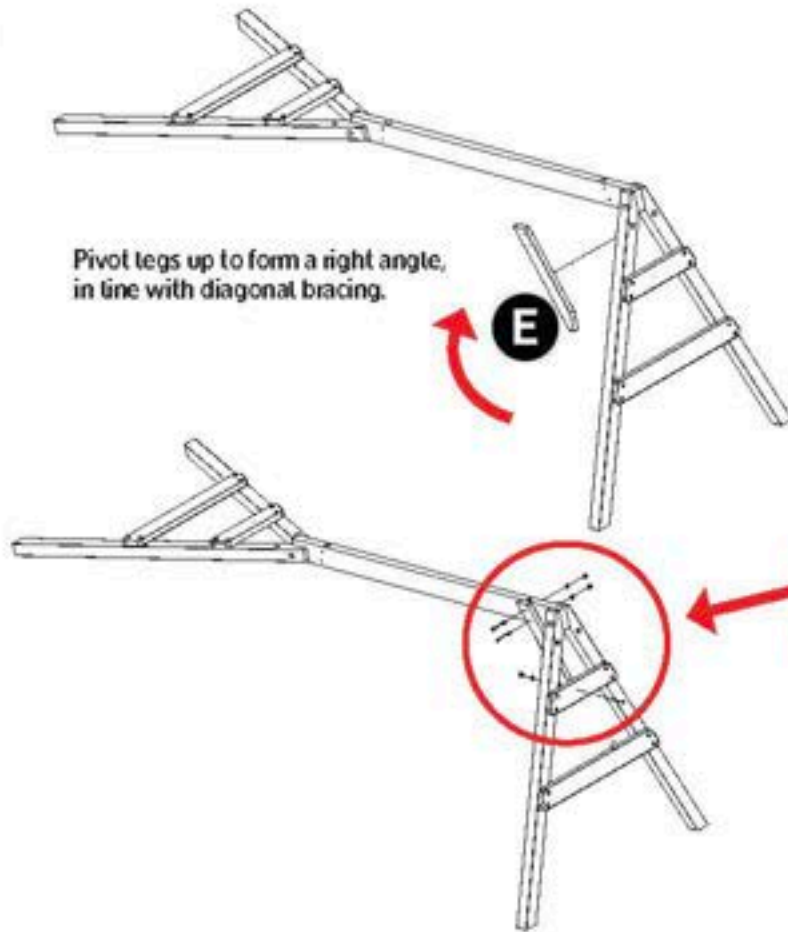
3







8	100mm Bolt		x8
14	Washer		x8
15	Nut		x8

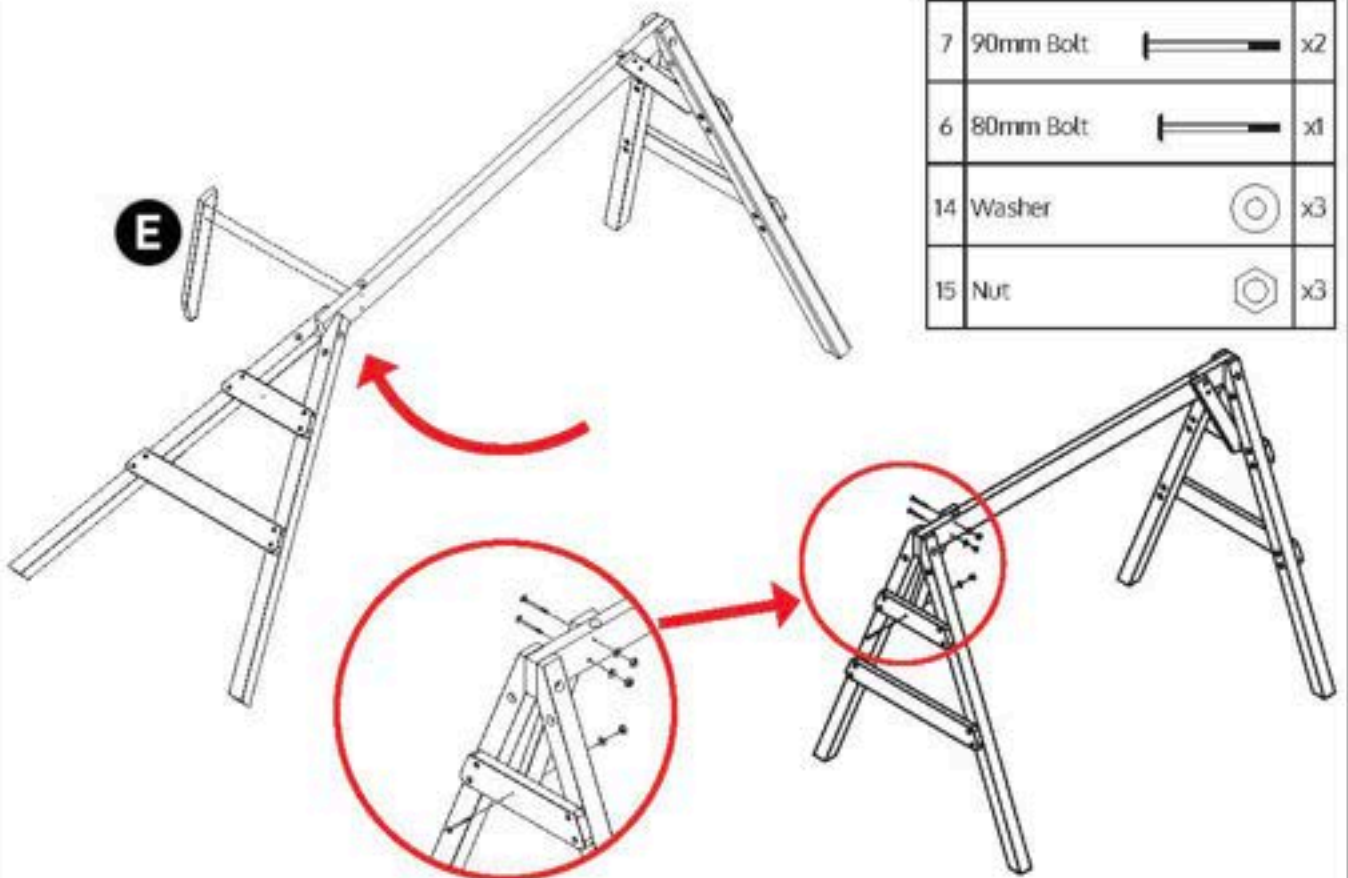
Do Not Fully Tighten at This Stage

4



7	90mm Bolt		x2
6	80mm Bolt		x1
14	Washer		x3
15	Nut		x3


5

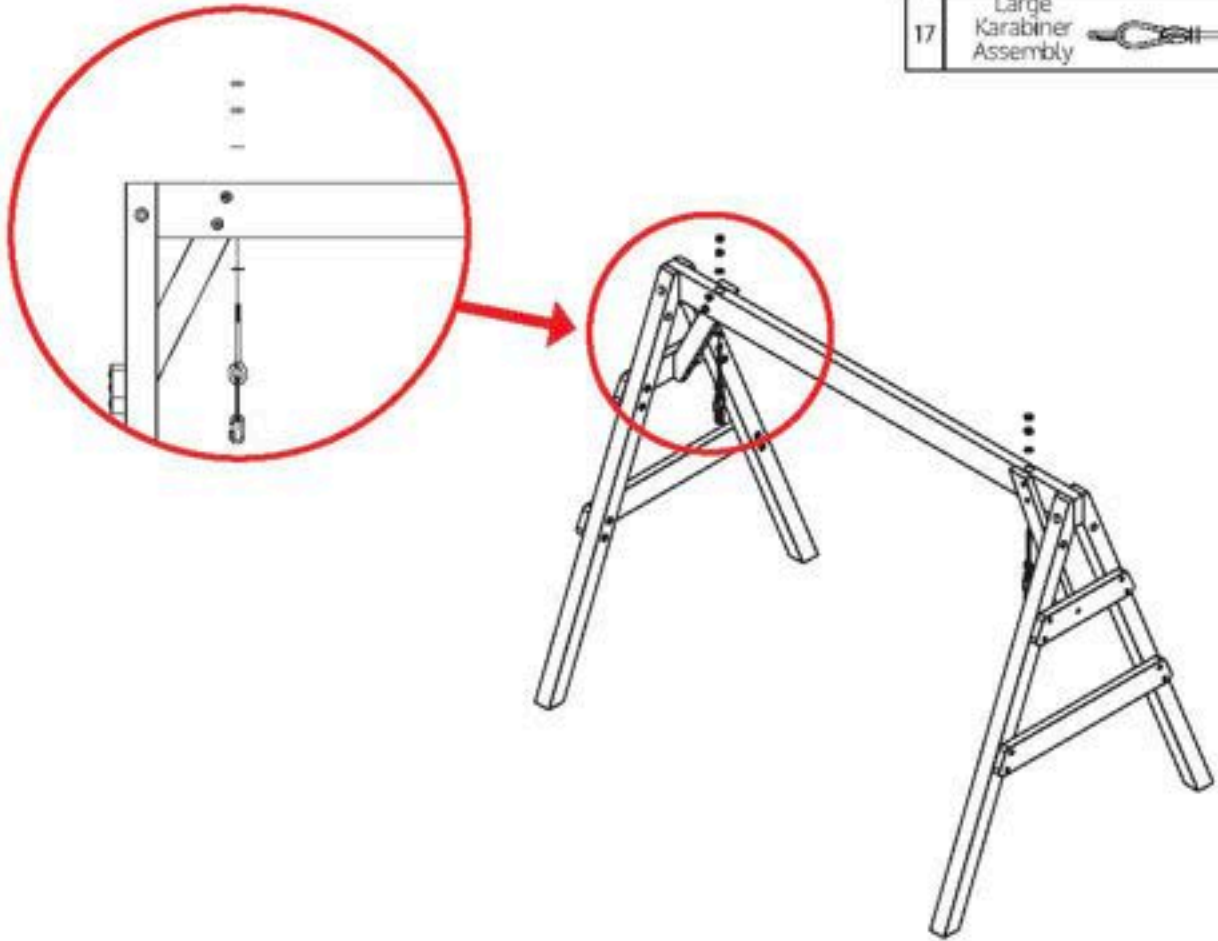


7	90mm Bolt		x2
6	80mm Bolt		x1
14	Washer		x3
15	Nut		x3




Fully Tighten All Previous Bolts at This Stage

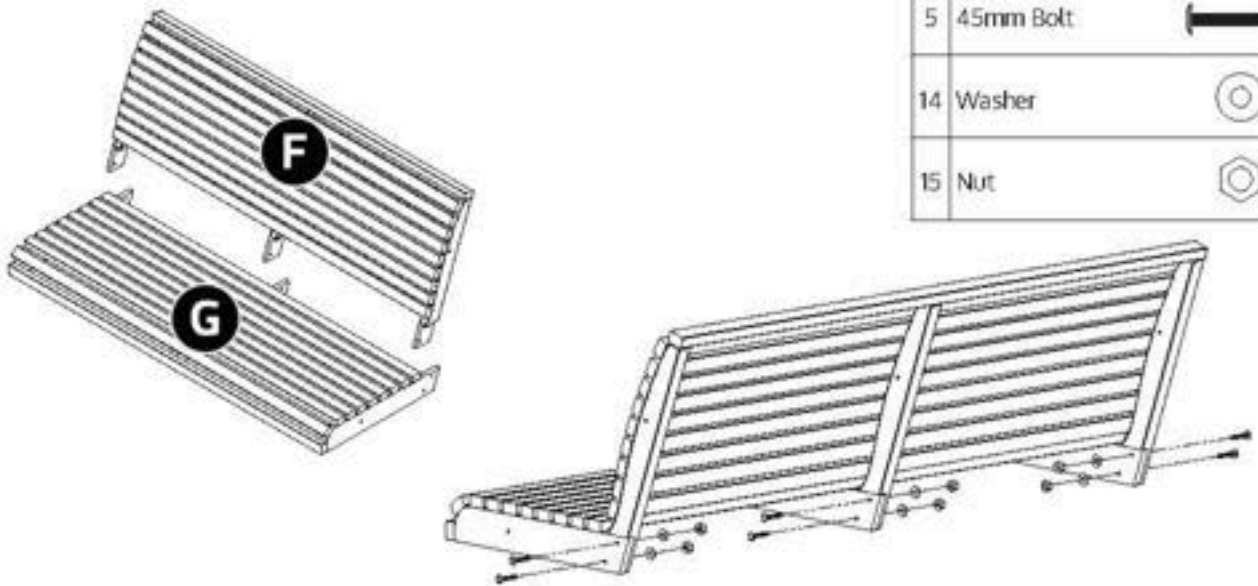
6

17	Large Karabiner Assembly		x2
----	--------------------------	---	----

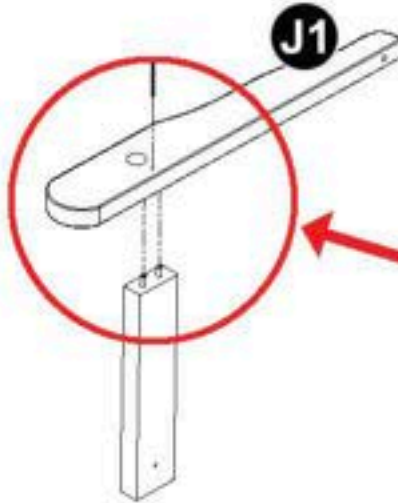
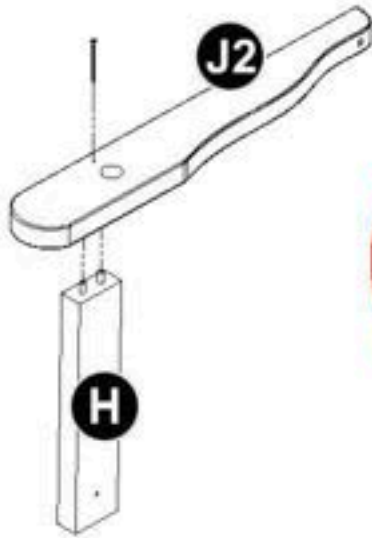


7

5	45mm Bolt		x6
14	Washer		x6
15	Nut		x6

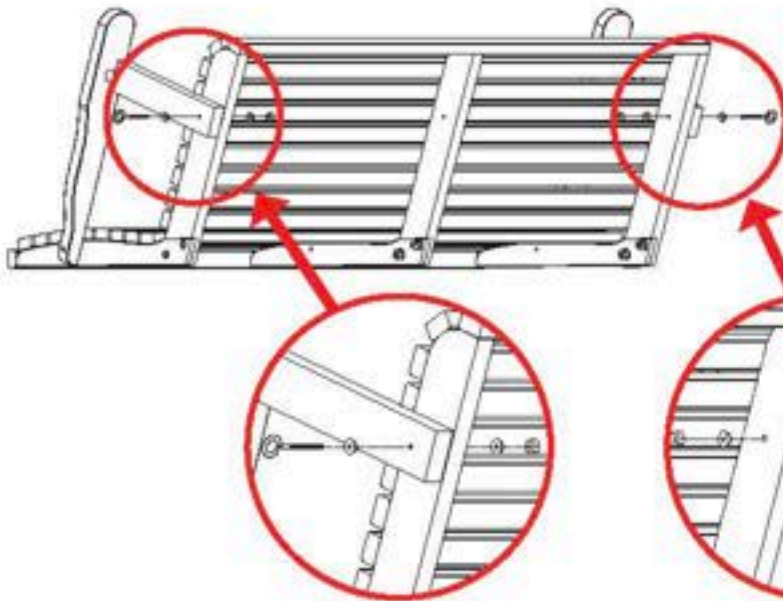





8

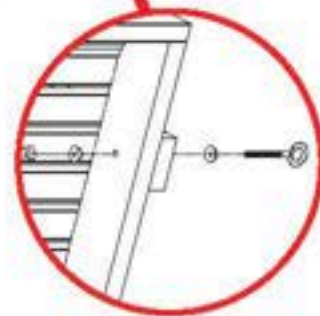
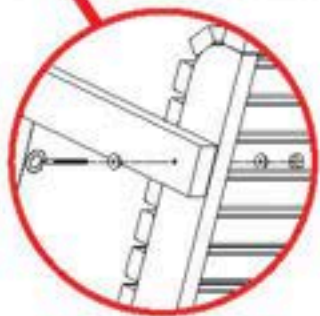


3	60mm Screw		x2
---	------------	---	----

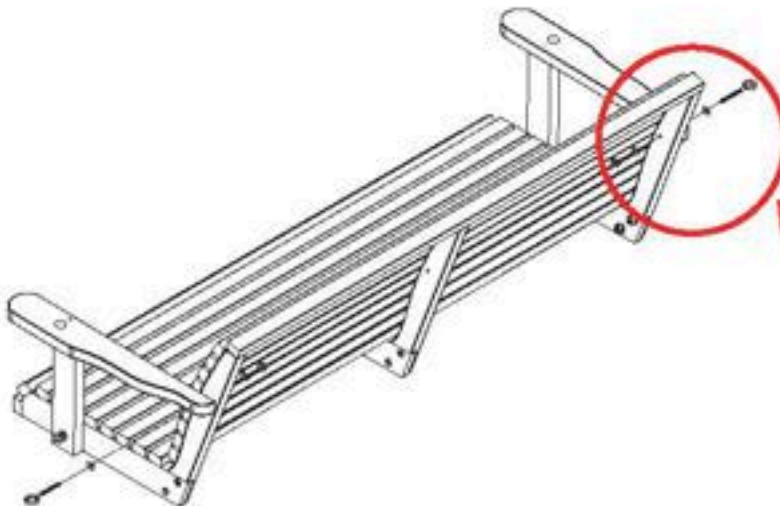
9






10	115mm Eye Bolt		x2
14	Washer		x4
15	Nut		x2



10





10	115mm Eye Bolt		x2
14	Washer		x4
15	Nut		x2



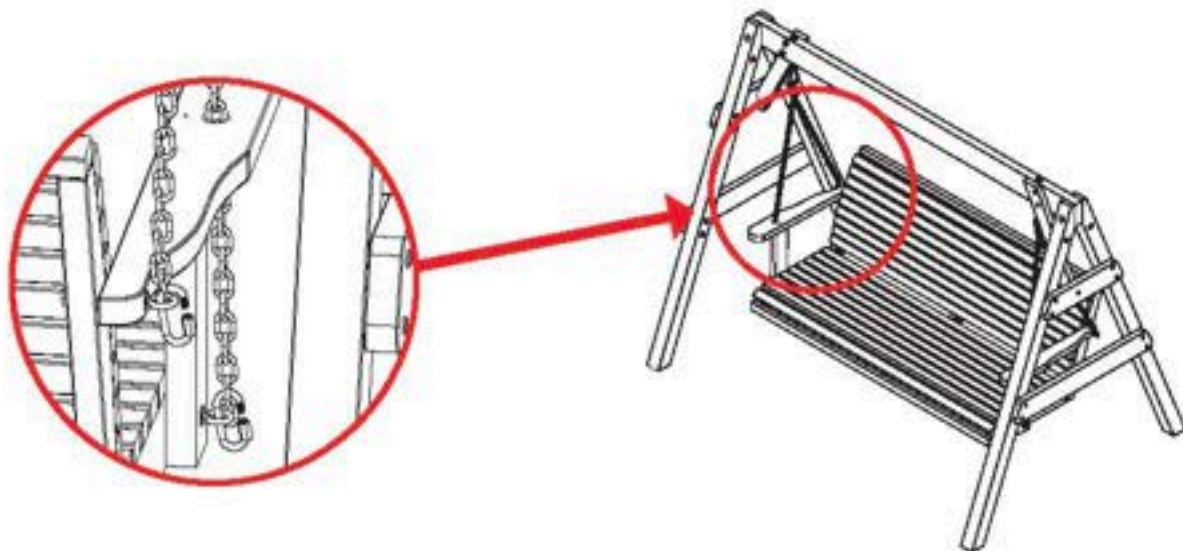
11



11	Long Chain		x2
12	Short Chain		x2

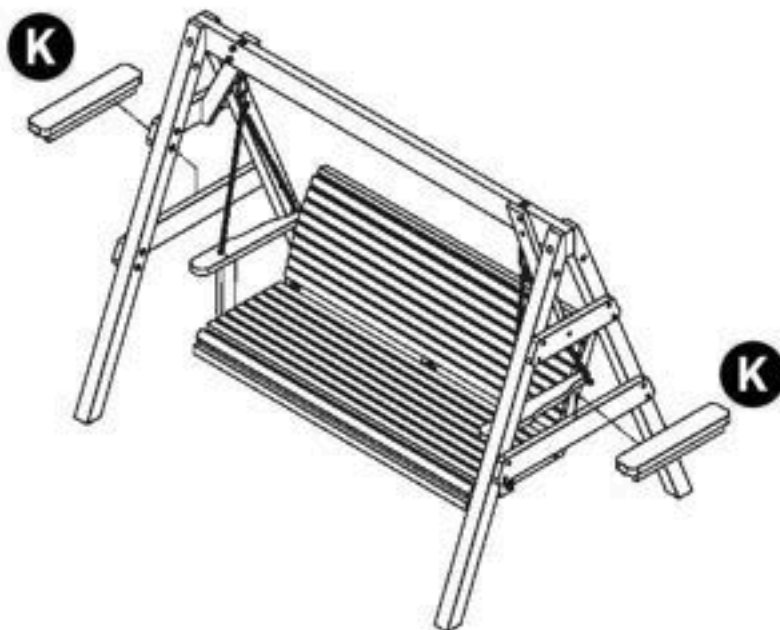
Place 1 short chain on the back of the karabiner and 1 long chain towards the front (repeat on other side).

12

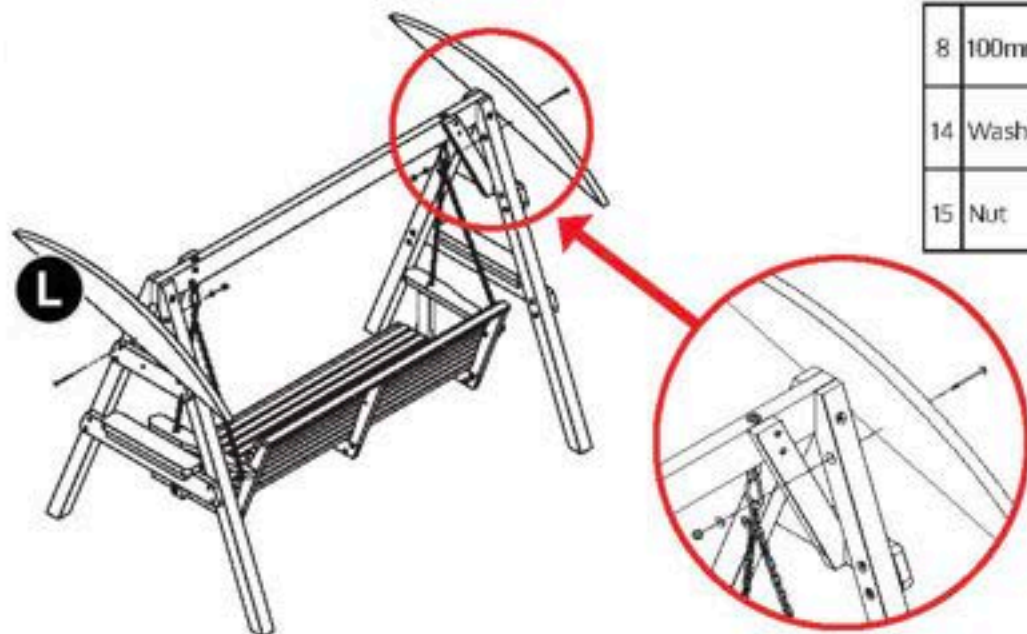





Ensure all karabiners are securely fastened.

13

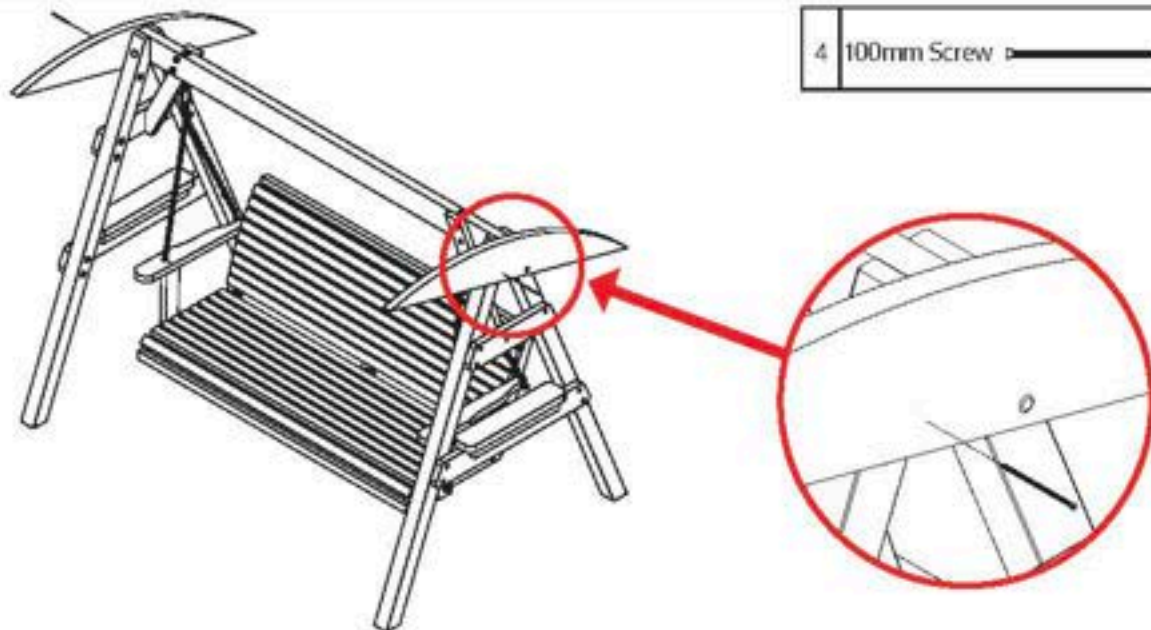


14



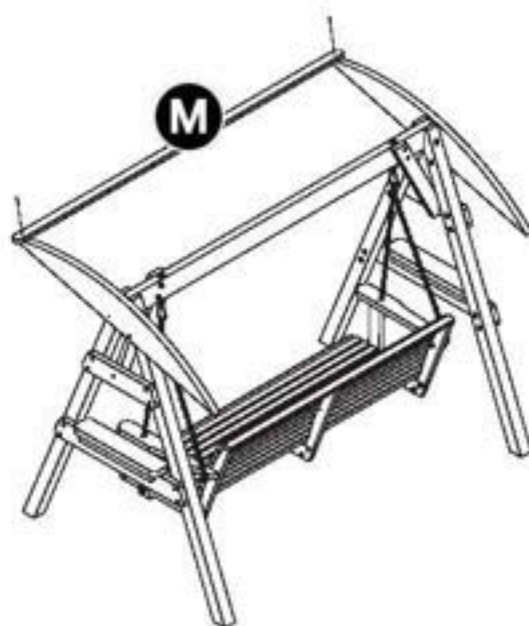
8	100mm Bolt		x2
14	Washer		x2
15	Nut		x2

15



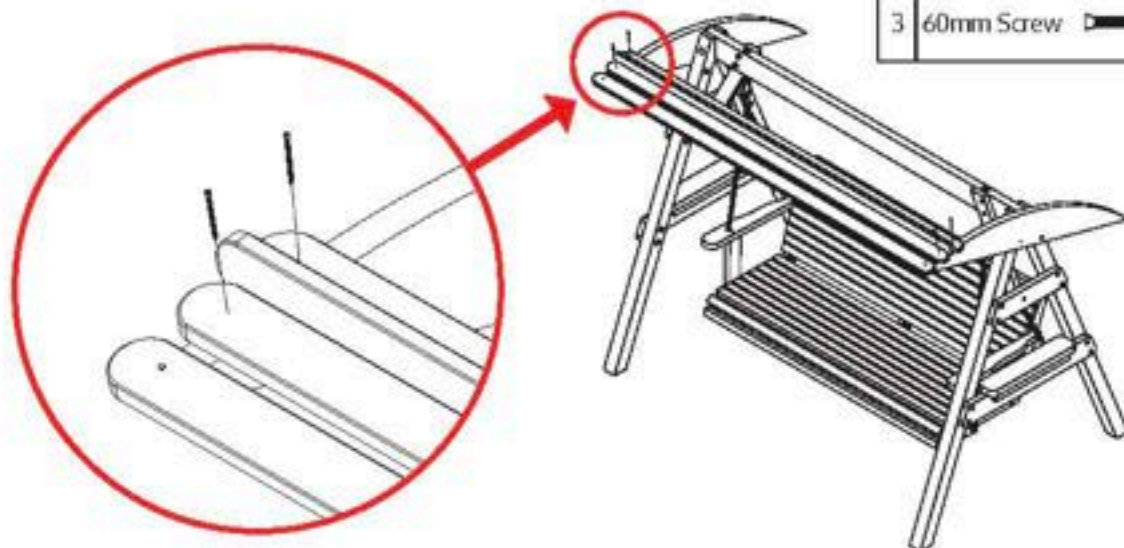
4	100mm Screw		x2
---	-------------	---	----

16



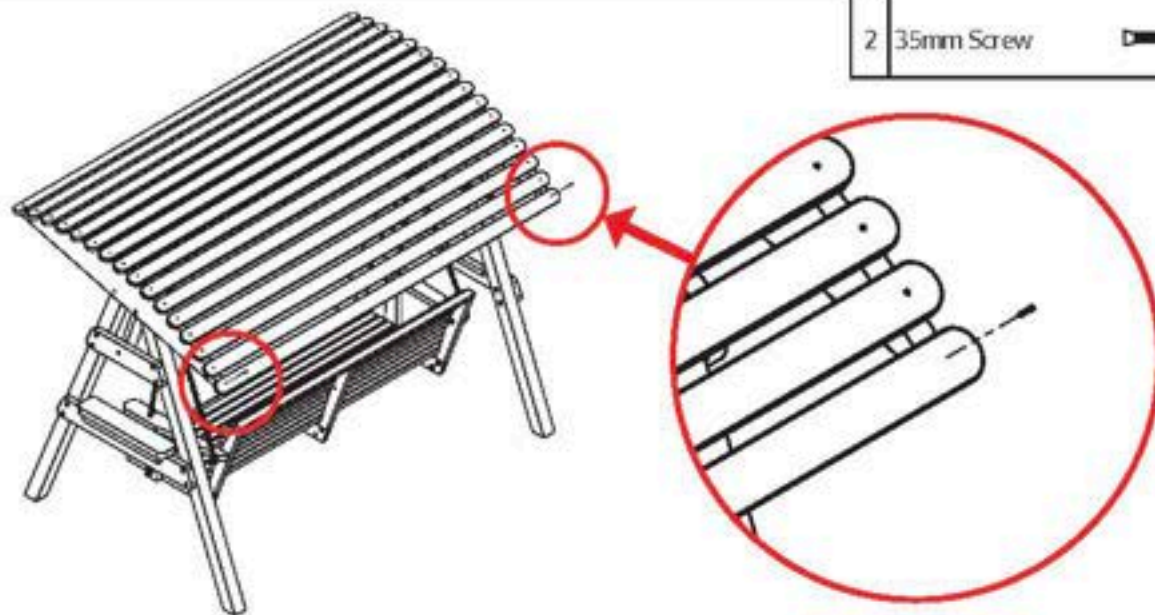
2	35mm Screw		x2
---	------------	---	----

17

3 60mm Screw  x28

Use spare canopy slat sideways to evenly space the middle 14 panels - 2 screws per panel. Repeat this until there is one panel left.

18


2 35mm Screw  x2

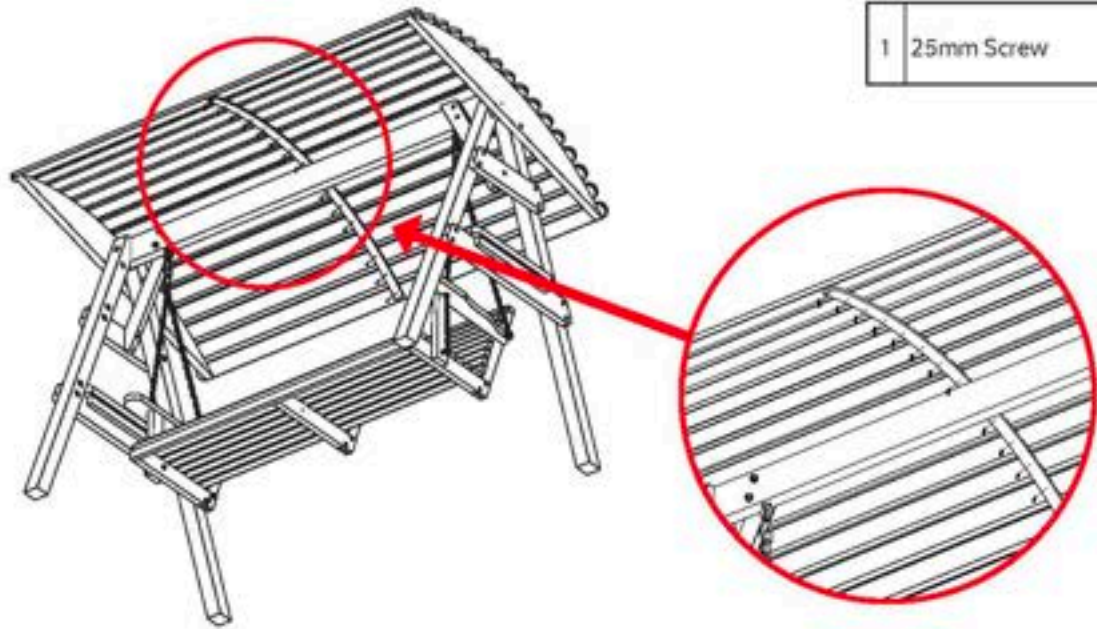
19



Gently bend the batten into place, along the underside of the canopy.

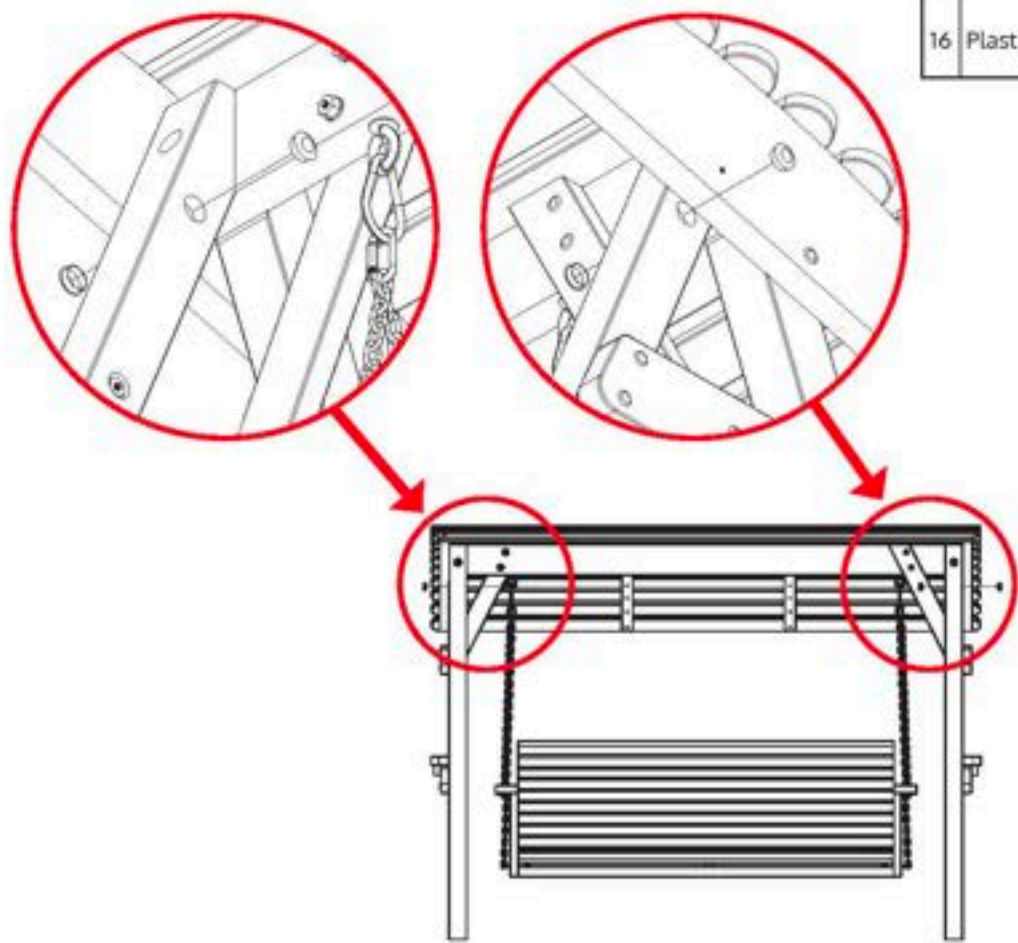
20

1 25mm Screw  x16



21

16 Plastic Cap  x4





Your Miami 2 Seater Swing is now complete.