

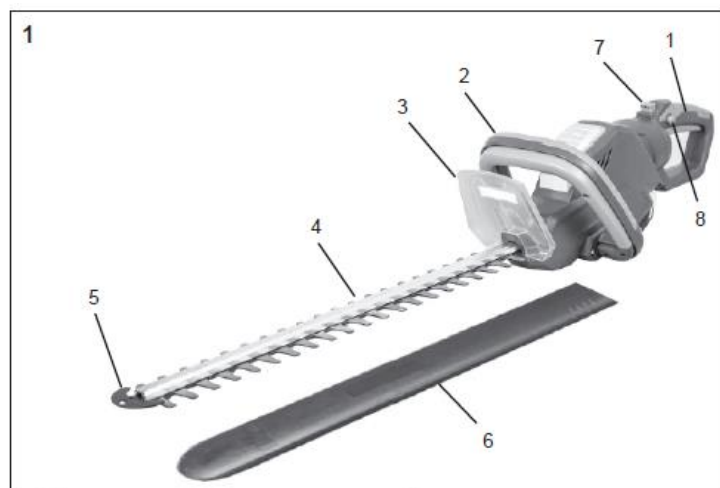


Technical Detail

Model	GT28001-4/ELR01-R3-540-18
Rated Voltage	36V D.C.
Cutting Thickness	18mm
Cutting Length	540mm
Battery type	Li-ion 36V/2.5 Ah/90 Wh (not included) Available separately under Coopers' item code no. 10683
Weight	3.2kg
Charger:	Not included Available under Coopers' item code no. 10682
Noise Pressure Level LpA (EN ISO 3744:1995)	86dB(A) K3.0 dB
Vibration (EN 60745-2-15)	<2.5m/s ² K 1.5 m/s ²

PARTS

1. Rear handle with ON/OFF switch
2. Wrap-around handle with ON/OFF switch
3. Hand guard
4. Blade safety rail
5. Impact protector
6. Protective blade cover
7. Turning handle lock
8. On-switch lock



SAFETY INSTRUCTIONS:

WHEN USING ELECTRICAL APPLIANCES, BASIC SAFETY PRECAUTIONS SHOULD ALWAYS BE FOLLOWED:

- READ ALL INSTRUCTIONS BEFORE USE.
- TO PROTECT AGAINST ELECTRIC SHOCK, DO NOT IMMERSE CORD, PLUG OR APPLIANCE, IN WATER OR ANY OTHER LIQUID.
- UNPLUG FROM OUTLET WHEN NOT IN USE AND BEFORE CLEANING.
- DO NOT OPERATE ANY APPLIANCE WITH A DAMAGED CORD OR PLUG OR AFTER THE APPLIANCE MALFUNCTIONS, OR HAS BEEN DAMAGED IN ANY MANNER. WE RECOMMEND THAT THE POWER CORD IS NOT KINKED OR STORED IN A TWISTED MANNER, AND THAT YOU REGULARLY CHECK ITS CONDITION.
- THE USE OF ANY ACCESSORY ATTACHMENTS NOT RECOMMENDED BY COOPERS OF STORTFORD MAY CAUSE INJURIES AND INVALIDATE ANY WARRANTY YOU MAY HAVE.
- DO NOT LET CORD HANG OVER THE EDGE OF A TABLE OR COUNTER, OR TOUCH HOT SURFACES.
- DO NOT PLACE ON OR NEAR HEAT SOURCES.
- **DO NOT** COVER THE ITEM IN ANY WAY WHEN IN USE AS THIS MAY CAUSE OVERHEATING.
- DO NOT USE THIS APPLIANCE FOR ANY OTHER USE THAN THE INTENDED USE IT IS DESIGNED FOR.
- BEFORE USE, CHECK THOROUGHLY FOR ANY DEFECTS AND DO NOT USE IF DEFECTS ARE FOUND. TAKE CARE NOT TO DROP THE APPLIANCE AS HEAVY IMPACTS MAY CAUSE INTERNAL DAMAGE.
- ALWAYS USE AN RCD ADAPTOR.

Dear Customer

These Operating Instructions are intended to help you get acquainted with the machine and use it in accordance with the regulations. The Operating Instructions contain important information on how to use the machine safely, correctly and economically. Observing this information will help increase the reliability and working life of the machine. The Operating Instructions must always be at hand when the machine is being used. They must be read and observed by every person dealing with the machine, whether operating, servicing or transporting it in addition to the Operating Instructions and applicable rules for prevention of accidents valid in the country of use and on site.

The specified vibration emission value was measured by a standardised test.

The specified vibration emission value can vary during the actual use of the electric tool, depending on the way the power tool is used.

- Note: Take breaks when using the hedge trimmer in order to avoid circulation problems of the hands caused by pulsations.
- Try to keep the stress due to vibration as low as possible. For example, ways to reduce vibration stress include wearing gloves when using the tool and limiting the work time.
- Always keep hands and feet away from the cutting tools, particularly when switching on the motor!
- A tingling feeling or numbness in the hands is a sign of excessive vibration. Limit the operating time, take sufficiently long work breaks, distribute the work between several people or wear anti-vibration gloves when using the tool for extended periods.
- A certain degree of noise from this device is unavoidable. Perform noise-intensive work at times when this is permitted and at times intended for this type of work. Where applicable, observe

quiet times and limit working time to the absolute minimum. You and other persons in the area where the trimmer is being used should wear suitable hearing protection.

- Noise emission information in accordance with the EC Machine Directive: the noise pressure level at the place of work can exceed 80 dB(A). The operator is required to wear noise protection (e.g. wearing of ear protectors).



Attention: Noise protection! Please observe the local regulations when operating your device.

Intended use

This hedge trimmer is only intended to be used to trim shrubs, bushes, ornamental plants and hedges. It is designed to cut branches with a diameter of no more than 18 mm. The hedge trimmer is not intended for commercial use. The user of the hedge trimmer must make sure that the protective equipment specified in the operation instructions and by the warning label on the trimmer is attached whenever the trimmer is in use. The hedge trimmer must be checked for electrical or mechanical damage before it is used or while it is being used.

Stop working immediately and contact a specialist workshop if you find any damage.

Improper use

Any use not identified in the section "Intended use" is an improper use.

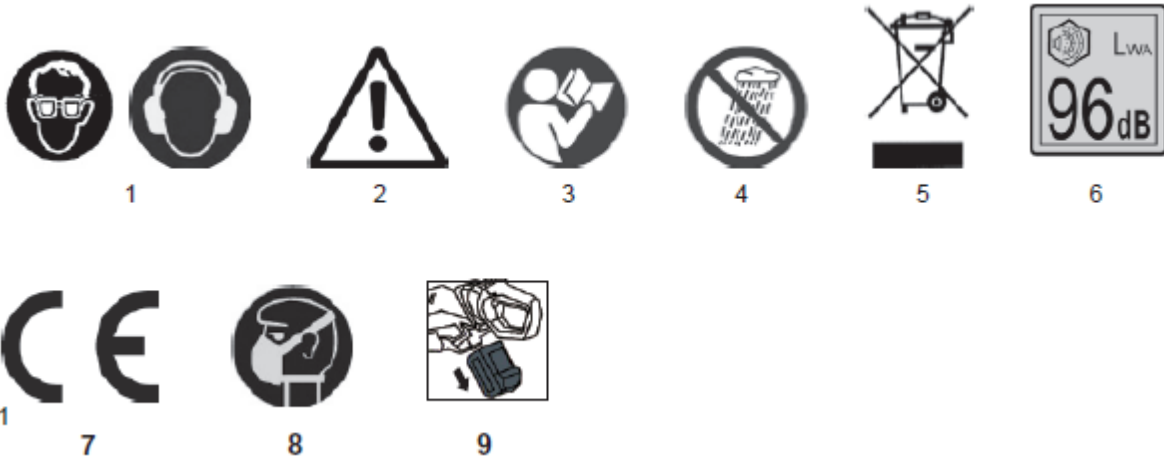
The user of the hedge trimmer is solely liable for any property damage or personal injury arising from improper use of the hedge trimmer.

Do not use with any other parts. Only use with original parts supplied.

Residual dangers

Residual risks always remain even if the hedge trimmer is used properly. The hedge trimmer's design can entail the following hazards:

- Contact can be made with the unprotected blade (resulting in cutting injuries). Always wear protective gloves.
- Reaching into or grabbing the hedge trimmer while it is in operation (resulting in cutting injuries).
- Unanticipated, sudden movement of the plant material being cut (resulting in cutting injuries).
- Ejection or catapulting of damaged cutting teeth.
- Ejection or catapulting of the plant material being cut.
- Hearing damage if the specified hearing protection is not worn.
- Inhalation of cut materials.

Explanation of the Warning Instructions on the Machine

1. Wear protection for eyes and ears!
2. Caution!
3. Read instructions for use!
4. This electric machine must not be exposed to rain.
5. Attention: Environmental Protection! This device may not be disposed of with general/household waste.
6. Guaranteed acoustic capacity level LWA 96 dB(A)
7. Complies with the relevant safety standards
8. Wear a dust mask
9. Always remove the battery before inspection, maintenance, cleaning and adjustment work!

Safety instructions

Attention! Read all instructions contained herein. Failure to observe the following instructions may result in electric shock, burns and/or severe injury. The term 'power tool' used in the following includes both mains-operated tools (with mains supply) and battery-operated tools (without mains supply).

KEEP THESE INSTRUCTIONS SAFE!

- 1) Working area:
 - a) Keep your working area clean and tidy. Untidy and poorly lit working areas may lead to accidents.
 - b) Do not operate the tool in potentially explosive environments containing combustible fluids, gases or dusts. Power tools generate sparks that may ignite dusts or fumes.
 - c) Keep children and other persons away when you are operating the power tool. Distractions may result in the operator losing control over the tool.
- 2) Electrical safety:
 - a) The mains plug of the power tool must fit into the indoors mains socket. The plug must not be modified in any way. Do not use adapter plugs/connectors in combination with tools with protective earthing. Unmodified plugs and fitting sockets reduce the risk of electric shock.
 - b) Avoid physical contact with earthed surfaces as pipes, heaters, ovens and refrigerators. There is an increased risk of electric shock if your body is earthed.

- c) Keep the tool out of the rain. The penetration of water into a power tool increases the risk of electric shock.
- d) Use with an RCD adaptor.
- e) Do not use the cable to carry or hang up the tool or to pull the plug out of the socket. Keep the cable away from heat, oil and sharp edges or moving parts of the tool. Damaged or tangled cables increase the risk of electric shock.
- f) When operating a power tool outdoors, use exclusively extension cables that are approved for outdoor-use. The use of an extension cable that is suitable for outdoor use reduces the risk of electric shock.

3) Personal safety:

- a) Always pay attention to what you do and apply reasonable care when working with a power tool. Do not use the tool when you are tired or under the influence of medication, drugs or alcohol. When working with power tools even a short moment of inattentiveness may result in severe injury.
- b) Wear personal protection equipment and always wear eye protection (safety goggles). Wearing personal protection equipment such as a dust mask, nonslip safety shoes, safety helmet, ear protectors, protective gloves (depending on the type and use of the tool) reduces the risk of injury.
- c) Avoid unintentional operation. Make sure that the switch is in 'OFF' position before pulling the plug from the mains socket. When carrying the tool with your finger on the on/off switch or connecting the tool to the mains supply with the switch in 'ON' position, this may result in accidents.
- d) Remove adjustment tools or wrenches and the like before you switch the tool on. A wrench or another tool that is inside or on a turning part of the tool may cause injury.
- e) Do not overestimate your abilities. Take care of a safe footing and keep your balance at all times. This will allow you to better control the tool in unexpected situations.
- f) Wear suitable clothes. Do not wear loose clothing or jewellery. Keep your hair, clothes and gloves clear of all moving parts. Loose clothing, jewellery or long hair may get caught in moving parts.
- g) If dust extraction/collection devices are provided make sure that they are connected and used properly. The use of these devices reduces hazards caused by dust.

4) Careful handling and use of power tools:

- a) Do not overtax the power tool. Use the power tool intended for your type of work in each case. The use of the suitable power tool within the stated range of performance makes working more effective and safe.
- b) Do not use a power tool with a damaged switch. A power tool that cannot be switched on or off any more is dangerous and must be repaired.
- c) Pull the mains plug out of the socket before you adjust a tool, change accessories or put the tool aside. This precaution avoids the unintentional start of the tool.
- d) Store power tools out of the reach of children. Do not allow persons to use the tool if they are not familiar with the tool or these instructions. Power tools are dangerous if used by inexperienced people.
- e) Thoroughly maintain your power tool. Check whether moving parts are working properly and are not jamming/sticking, and whether parts are broken or otherwise damaged in a way that affects the function of the tool. Have damaged parts repaired before using the tool. Many accidents are the result of poorly maintained power tools.
- f) Keep cutting tools sharp and clean. Thoroughly looked-after cutting tools with sharp cutting edges jam less often and are easier to guide.

- g) Use power tools, accessories, add-on tools, etc. in accordance with these instructions and in the way prescribed for the respective type of tool. You should also consider the working conditions and the work to be carried out. The use of power tools for purposes other than those intended for the respective tool may result in dangerous situations.
- 5) Appropriate handling and use of battery operated power tools:
- a) Make sure that the device has been switched off before inserting the battery. Inserting a battery into a switched-on power tool may lead to accidents!
 - b) Only use charging devices recommended by the manufacturer to charge the batteries. Charging units are usually designed for certain types of batteries; if used with other types there is a risk of fire!
 - c) Only use batteries designed for your power tool. The use of other batteries may lead to injury and risk of fire!
 - d) Keep unused batteries clear of paper clips, coins, keys, nails, screws or other small metal objects that may bridge the contacts. A short circuit between the battery contacts may lead to burns or fire!
 - e) Improper use may result in fluid leading out of the battery. Avoid any contact with battery fluid. Flush with water in case of contact. If battery fluid should get into your eyes seek immediate medical advice. Leaking battery fluid may lead to irritations of the skin or burns!
- 6) Service:
- a) Have the power tool serviced by qualified technical personnel only; repairs should be carried out using exclusively original spare parts. This will ensure the safe operation of the power tool.
- 7) Safety instructions for hedge trimmers:
- Keep all parts of your body away from the cutting blades. Do not try to remove cut-off matter with the tool running. Do not try to hold material to be cut off with your hand. Remove cut-off matter that is stuck between the blades only when the tool is switched off! When working with hedge trimmers even a short moment of inattentiveness may result in severe injury.
 - Carry the hedge trimmer by the handle with the cutting blades stationary. Always put on the protection cover when transporting or storing the hedge trimmer. Careful handling reduces the risk of injury by the cutting blades.
 - Only hold the hedge trimmer by the insulated handle surfaces when performing work where the tool could come into contact with concealed power lines. If in contact with an energised line, metallic device parts can cause an electric shock.

Additional safety instructions for hedge trimmers

- Before commencing hedge trimming, check the hedge for concealed objects, such as wire fences.
- Hold the hedge trimmer properly, e.g. with both hands if two handles are present.
- The hedge trimmer has been designed for cutting hedges and bushes. It is not intended for commercial use.
- Metal parts and accessories may become very hot after a period of prolonged use.
- Never expose the tool to rain or moisture.
- The hedge trimmer will become hot during operation. This is normal and is not an indication of a malfunction.
- Prepare yourself for work. Always ensure that the hedge trimmer has been properly assembled and prepared for use as detailed in these operating instructions.

- Start the hedge trimmer. Never switch the hedge trimmer on if the hand guard is missing.
- Always ensure that the handles and safety guard are in place. The hedge trimmer must not be used if any part is missing or has been modified.
- Only operate the hedge trimmer during daylight hours or with good artificial lighting.
- The blade must never be brought into close proximity of people or animals or pointed in their direction.
- Keep your hands away from the running blade.
- Attention: The blade will continue to run for a few seconds after the hedge trimmer has been switched off.
- Remove thick branches before commencing work.
- Do not run whilst working.
- Ensure that you have a stable foothold, especially when on slopes and when using a stepladder.
- When on slopes, always work at an angle, never up and down. Exercise extreme caution when changing direction on a slope.
- Never attempt to cut branches that are too thick.
- The hedge trimmer must not be used in rain or damp weather.
- Check the blade at regular intervals and replace if damaged.
- Store the hedge trimmer indoors and out of the reach of children.
- Children must not be permitted to use the hedge trimmer.
- Always wear sturdy work gloves when using the hedge trimmer.
- Never use the hedge trimmer in poor weather conditions, especially if there is a risk of a thunderstorm.
- This appliance is not intended for use by persons (including children) with reduced physical, sensory or mental capabilities, or lack of experience and knowledge, unless they have been given supervision or instruction concerning use of the appliance by a person responsible for their safety. Children should be supervised to ensure that they do not play with the appliance.

Battery (not included) (available separately under product code no. 10683)

1. Always remove the battery from the charger once charging is complete.
2. Remove the charged battery from the charger when it is not in use.
3. Never attempt to charge a damaged battery.
4. Never attempt to charge non-rechargeable batteries.
5. Improper use of lithium-ion and lithium-polymer cells and rechargeable batteries can lead to overheating, explosion or spontaneous ignition of the cells or battery, and in turn to severe injury.
6. Always ensure the correct polarity when inserting the battery.
7. Never short-circuit the positive and negative connection terminals of the battery (e.g. on a wire).
8. Never carry or store the battery together with necklaces, hairpins or other metal objects.
9. Never perforate, strike or step on the battery and safeguard the battery against all forms of mechanical damage.
10. Direct soldering to the battery is prohibited.
11. Protect the battery against water, salt water and moisture.

12. Never disassemble the battery or attempt to modify it in any way. The battery is fitted with a number of safety devices. Damage to any of these safety devices can lead to overheating, explosion or spontaneous ignition of the battery. The battery safety circuit must not be used as a circuit breaker.
13. Keep the battery away from naked flames, ovens and other sources of heat. Never expose the battery to direct sunlight or store or use it in a vehicle during sunny weather. High temperatures can damage the battery safety circuit and lead to overheating, explosion or spontaneous ignition of the battery. Use of the battery under such conditions can also impair battery performance and decrease the service life of the battery.
14. Never put the battery in a microwave oven, high pressure container or on an induction cooker.
15. If the battery is to remain unused for a period of time, it must be charged to approx. 30% - 50% and stored at room temperature (19°C to 25°C). In the event of a prolonged period of storage, the battery must be charged once per year in order to avoid complete discharge.
16. Permissible temperatures for charging the battery are between 0° and 40°C, and for discharging the battery are between 0° and 60°C.
17. The battery and charger will become hot during charging. This is normal and is not an indication of a malfunction.
18. Charging must be stopped if the battery fails to charge fully within the specified charging time.
Failure to stop charging can cause the battery to overheat, explode or spontaneously ignite. Battery charging must be performed at temperatures of 0°C to 40°C. Charging at any other temperatures can cause severe damage to the battery or decrease its service life.
19. Disused batteries must be isolated by winding adhesive tape or similar around the connection terminals.
20. Never dispose of the battery by burning or discarding it with standard household refuse. Always take depleted batteries to a local disposal or recycling centre.
21. Stop use of the battery immediately in the event of unusual odours during charging/discharging, overheating, colour changes, deformation or other abnormalities.
22. In the event that battery fluid comes into contact with the eyes due to a battery leak, never rub the eyes but rinse with plenty of water and seek medical attention immediately. Failure to seek medical attention can lead to eye injury.
23. The battery must be charged before first use. It will reach its full capacity only after several charge and discharge cycles.
24. Only charge the battery block in chargers that have been subject to separate inspection and have been certified as complying with EN 60335-2-29. Always read the operating instructions for the charger before charging the battery block to protect against electric shock and risk of injury/fire.



NOTE: Read the operating instructions carefully before use!

Inserting/removing the battery (fig 4. and 5)

Press the battery release buttons to remove the battery from the hedge trimmer.

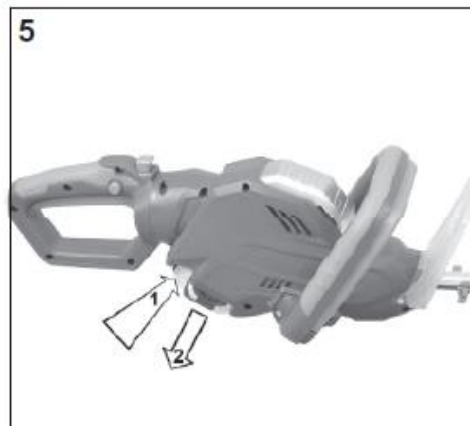
The charged battery can be inserted into the battery mounting on the hedge trimmer with a light press. The locking mechanism will “click” when the battery is in place.



Warning: Always remove the battery from the hedge trimmer before making adjustments (fitting the safety guard, adjusting the rear handle)



ATTENTION! Never use the hedge trimmer without the hand guard being in place.

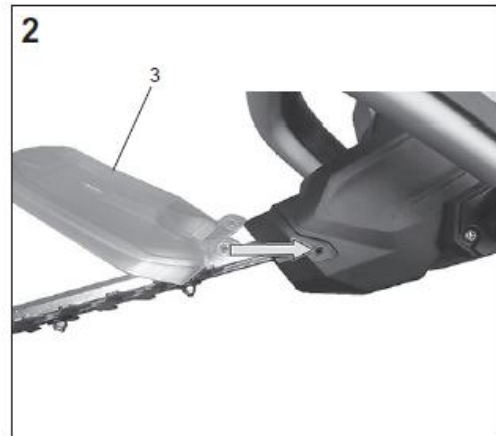


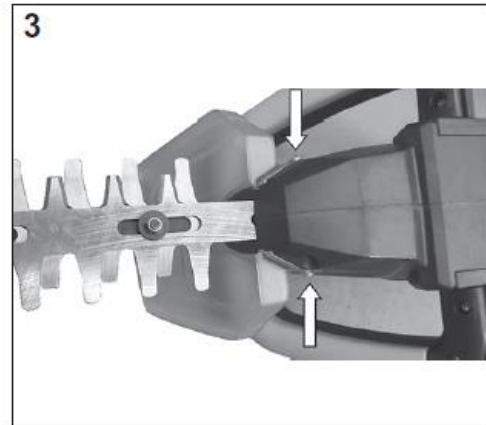
Fitting the hand guard (fig. 2 and 3)

Note: The hand guard may have been fitted to the hedge trimmer ex works.

Always remove the blade guard before fitting the hand guard.

Insert the hand guard into the mounting on the hedge trimmer casing and secure it using the 2 bolts (supplied).





Switching the hedge shears on/off (fig. 6)

Before switching on: remove the blade guard.

Insert the battery.

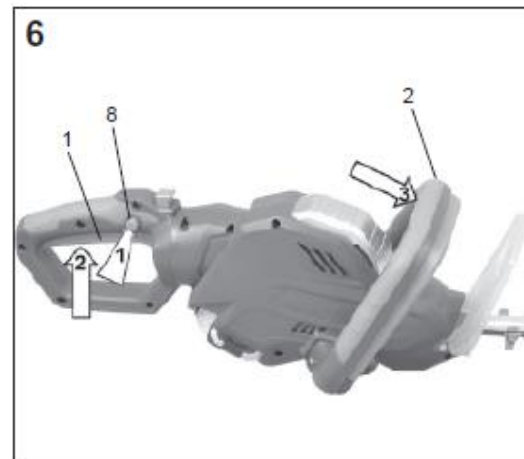
When switching the hedge shears on, stand safely. Hold the hedge trimmers with both hands on the respective handles.

Concurrently push both switches at the front (1) and rear (2) handles [the rear switch will be released by pushing the switch-on lock button (8)].

Attention: These battery operated hedge trimmers have double safety turning-on feature. They can only be started if both switches are pressed.

To turn the machine off, all you have to do is to release the switches. The hedge trimmers are turned off even if only one switch is released.

After turning off the machine and before taking further steps, make sure that the blade has stopped.



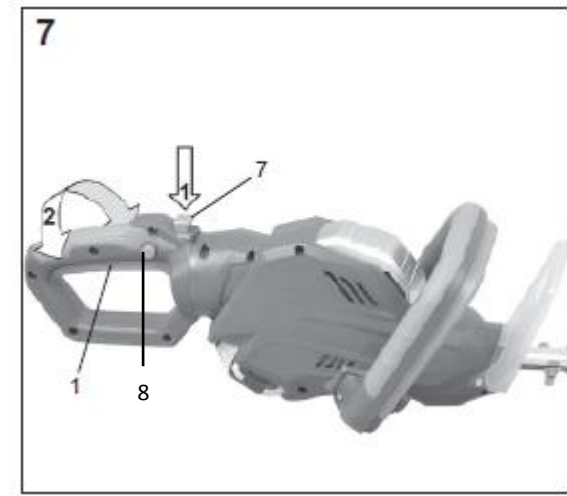
Never attempt to use the hedge trimmer if parts are damaged or missing. Always replace or repair parts first. Failure to do so can lead to severe injury.

Adjusting the turning handle (Fig. 7)

The hedge trimmers are equipped with a turning rear handle that can be set in 5 different position [right (90°), left (90°) and normal (0°)]. The purpose of this mechanism is that especially for cutting in vertical direction the hedge shears can be held in their most ergonomically favourable position to avoid fatigue.

To the position of the handle:

Release switch (1). Press the locking pin (8). The handle is now unlocked and can be turned to the desired position. In the desired end position, the pin locks back into place and securing the handle and avoiding an accidental change of the position. Please bear in mind that the locking pin (8) can only be pulled back when the switch (1) is not activated (held down). Make sure that the locking pin locks into place again after repositioning the turning handle. Only then the switch can be activated anew.



Holding the hedge trimmer when in use (fig. 8)

This equipment will enable you to cut or trim bushes and hedges easily and comfortably.

Important tips for hedge trimming

- Ensure that you have a stable foothold and hold the hedge trimmer with both hands. Stepladders must be secure and set up on firm ground and, when working at height, secured to a thick branch as an additional precaution.
- Keep people and animals out of the working area.



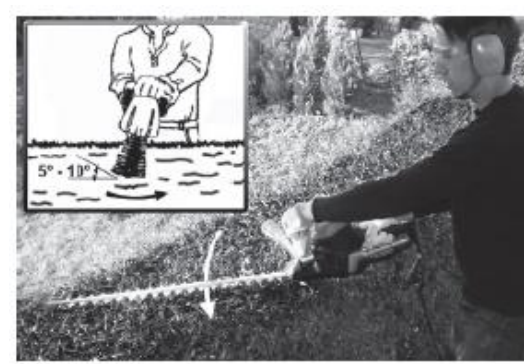
Blade guard

- Always remove the blade guard before using the hedge trimmer.
- Always re-fit the blade guard after use, during transport and for storage of the hedge trimmer.

1) Trimming of hedges

- Young shoots are best cut in a scythe movement.
- Older and stronger hedges are best cut in a sawing movement.
- Branches, which are too thick for the hedge trimmer, should be cut with a saw.
- Sides of hedges should be cut upwards in a taper.

2) In order to achieve an even height - Fix a guide line at the required height.



- Cut evenly over this guide line.

Take care to have a secure and safe standing position when working with your hedge shears in order to avoid slipping and injury. Always keep the shearing blades away from your body.

Maintenance (fig. 9 and 10)

Always disconnect the plug from the power socket before commencing any work on the machine.

Important: Always clean and oil the blades after prolonged use of the hedge trimmer. This will greatly improve the life of the equipment. Damaged cutting units must be properly repaired immediately. Clean the shearing blades with a dry cloth or – in case of heavier dirt – with a brush. Attention: Danger of injury! Oiling of the blades should ideally be carried out using an environmentally friendly lubricant (Fig. 9).

1) Sharpening of the blades:

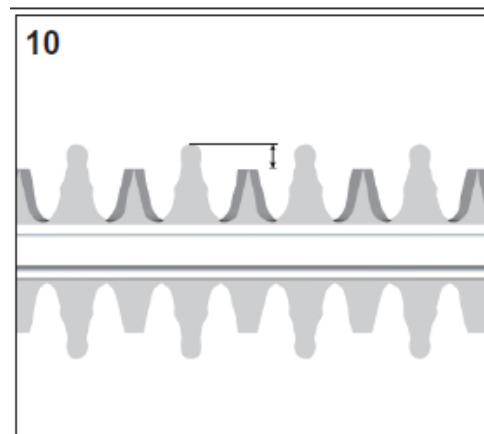
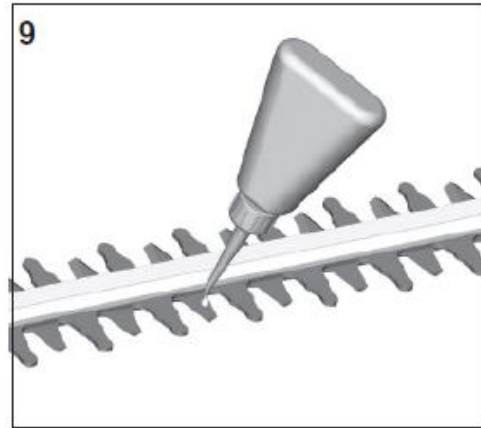
The blades generally do not need servicing and do not require sharpening if used correctly. In order to prevent injuries caused by the blades when not in use, the sharpened cutting blade should be covered by the blade cover. The blades cannot be sharpened by the user without opening the equipment and the safety mechanism. Sharpening of the blades can therefore only be carried out at a specialist workshop.

2) Changing the blades:

Only correct installation of the blades will guarantee problem-free operation and function of the above mentioned safety feature of the blades. Changing of the blades should therefore only be carried out at a specialist workshop.

3) Blade safety rail (Fig. 10):

The cutting blade set back from the blade housing reduces the risk of injuries due to unintentional body contact.



Storing the trimmer after use

The hedge shears must be stored such that there is no danger of injuries being caused by the cutting blades!

Repair service

Repairs to electric power tools should only be carried out by specialist electrical personnel.

PLUG WIRING (UK & IRELAND)

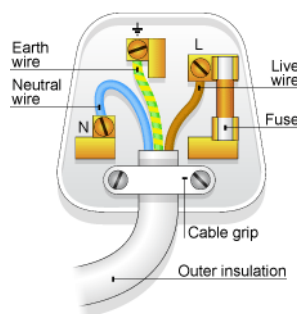
This appliance is fitted with a BS 1363 13-amp plug. If you have to replace the fuse, only those that are ASTA or BSI approved to BS1362 and with a rated current of 13-amps should be used. If there is a fuse cover fitted, this cover must be re-fitted after changing the fuse. If the fuse cover is lost or damaged the plug must not be used. Spare fuse holders and fuses are available from electrical outlets. If the socket outlets in your home or office are not suitable for this product's plug, the plug must be removed and disposed of safely. Attempts to insert the plug into the wrong socket is likely to cause electric hazard. A replacement plug should be wired according to the following instructions:

The cable

A mains electricity cable contains two or three inner wires. Each has a core of copper and an outer layer of flexible plastic. This product is double insulated; the wires in the cord set are colour coded in the following way:

BLUE	NEUTRAL
BROWN	LIVE
GREEN & YELLOW	EARTH

The diagram below shows the key features of a correctly wired three-pin mains plug.



Note:

Double insulated appliances do not need the green & yellow Earth wire. They may only have the Brown and Blue wires.

CARE AND CLEANING INSTRUCTIONS

- Always switch off and unplug before cleaning.
- Do NOT immerse in water. Risk of electric shock.
- Do NOT use abrasive cleaners or sharp utensils to clean this appliance.
- Wipe surfaces with a soft dry cloth.
- Allow to dry thoroughly before further use.
- Store the unit in a cool, dry place.

BATTERIES

- Keep batteries away from children and pets.
- Do not mix used and new batteries.
- Remove the batteries if left for long periods.
- Never dispose of batteries in a fire.
- Battery disposal, spent or expired batteries must be properly disposed of and recycled in compliance with local regulations. For detailed information, contact your local authority.
- Follow the battery manufacturer's safety, usage, and disposal instructions.

DISPOSAL

- Dispose of all packaging, paper, cartons and plastic, plastic bags in accordance with your local recycling regulations.
- At the end of the product's lifespan please dispose of it at an authorised household WEEE waste recycling centre.



Hedge Trimmer Battery Charger 10682 Instructions for Use

Please read and retain these instructions for future reference

v001: 14/11/16



Product Details:

Battery Charger	R3-360-1A-02 Normal Charger
Mains Voltage	100-240V/50-60Hz
Charging voltage	36V
Charging current	0.65A
Input power	30W
Protection class	II
Charging time	Approx. 3 – 5 hours
Weight	0.350 kg

The Hedge Trimmer Battery Charger is for use in conjunction with:

36v hedge trimmer – Item Code 10681

Hedge Trimmer Battery – Item Code 10683



Read and understand the operating instructions before using the appliance. Familiarise yourself with the control elements and how to use the appliance properly. Abide by all the safety measures stated in the service manual. Act responsibly toward third parties.

The operator is responsible for accidents or risks to third parties.

Safety Instructions



WARNING

Head Office, 11 Bridge Street,
Bishop's Stortford CM23 2JU
Tel: 0844 482 4400*
Fax: 01279 756595
www.coopersofstortford.co.uk

Coopers
OF STORTFORD

*Calls cost 7 pence per minute plus your telephone company's network access charge.

Hedge Trimmer Battery Charger 10682 Instructions for Use

Please read and retain these instructions for future reference

v001: 14/11/16

- Read all safety warnings and all instructions. Failure to follow the warnings and instructions may result in electric shock, fire and/or serious injury. Save all warnings and instructions for future reference.
- For adult use only.
- Children may not play with the machine.
- Cleaning and user maintenance may not be provided by children without supervision.

Specified Conditions of Use

Chargers are exclusively suitable to charge the replaceable battery:

- R3-360-AH-U-02/ Hedge Trimmer Battery – Item Code 10683



WARNING!

Do not charge any other battery other than the battery provided or 10683 Hedge Trimmer Battery. Single-use batteries must not be charged with the charger.

Do not use this product in any other way as stated for normal use. Not observing general regulations in force and instructions from this manual does not make the manufacturer liable for damages.

Improper use

All uses of the device which are not stated in the section 'Proper use' are considered improper use.

Residual risks

Even if the tool is used properly, there is always a residual risk that cannot be excluded.

Charging station – User Instructions

No metal parts may enter the shaft to slide the battery (risk of short circuit).

Never use the charger in moist or wet conditions. Suitable for indoor areas only.

Make sure the system voltage corresponds to the charger type plate details. There is a risk of electric shock.

Cable connections to be separated by pulling the plug only. Pulling the cable could damage both the cable and plug. As a result, electric safety would no longer be guaranteed.

Never use the charger when the cable, plug or the machine is damaged by external influences. Repairs should only be carried out by specialist electrical personnel.

Make sure the cooling function is not limited by covering the cooling slots. Do not operate the appliance near heat sources or on a flammable surface.

Hedge Trimmer Battery Charger 10682 Instructions for Use

Please read and retain these instructions for future reference








v001: 14/11/16

Never open the charger. Contact a specialised workshop in case of any defect.

Only charge the rechargeable battery block with the charger provided by the manufacturer. There can be malfunction or fire if different chargers are used.

The outer battery surface must be clean and dry before the battery starts being charged.

Explanation of symbols

SYMBOL	DESCRIPTION
	Defective accumulators should be recycled!
	Confirms the conformity of the electric tool with the Directives of the European Community.
	WARNING SYMBOL Indicates danger, safety notes or causes for particular caution. This symbol may occur in combination with other symbols or pictograms.
	If you do not adhere to the instructions and safety measures described in the Operating Instructions severe injuries may occur. Read the Operating Instructions before you start and operate this device.
	The charging device is only intended for indoor use.
	Double-insulated
	This device may not be disposed of with general/household waste. Dispose of only at a designated collection point.

SAFETY INSTRUCTIONS:

- WHEN USING ELECTRICAL APPLIANCES, BASIC SAFETY PRECAUTIONS SHOULD ALWAYS BE FOLLOWED:
- READ ALL INSTRUCTIONS BEFORE USE.
- TO PROTECT AGAINST ELECTRIC SHOCK, DO NOT IMMERSE CORD, PLUG OR APPLIANCE, IN WATER OR ANY OTHER LIQUID.
- UNPLUG FROM OUTLET WHEN NOT IN USE AND BEFORE CLEANING.
- DO NOT OPERATE ANY APPLIANCE WITH A DAMAGED CORD OR PLUG OR AFTER THE APPLIANCE MALFUNCTIONS, OR HAS BEEN DAMAGED IN ANY MANNER. WE RECOMMEND THAT THE POWER CORD IS NOT KINKED OR STORED IN A TWISTED MANNER, AND THAT YOU REGULARLY CHECK ITS CONDITION.
- THE USE OF ANY ACCESSORY ATTACHMENTS NOT RECOMMENDED BY COOPERS OF STORTFORD MAY CAUSE INJURIES AND INVALIDATE ANY WARRANTY YOU MAY HAVE.

Hedge Trimmer Battery Charger 10682 Instructions for Use

Please read and retain these instructions for future reference

v001: 14/11/16

- DO NOT LET CORD HANG OVER THE EDGE OF A TABLE OR COUNTER, OR TOUCH HOT SURFACES.
- DO NOT PLACE ON OR NEAR HEAT SOURCES.
- DO NOT COVER THE ITEM IN ANY WAY WHEN IN USE AS THIS MAY CAUSE OVERHEATING.
- DO NOT USE THIS APPLIANCE FOR ANY OTHER USE THAN THE INTENDED USE IT IS DESIGNED FOR.
- BEFORE USE, CHECK THOROUGHLY FOR ANY DEFECTS AND DO NOT USE IF DEFECTS ARE FOUND. TAKE CARE NOT TO DROP THE APPLIANCE AS HEAVY IMPACTS MAY CAUSE INTERNAL DAMAGE.
- IN THE EVENT OF INJURY, SEEK IMMEDIATE MEDICAL AID.

WARNING

- CHECK THE APPLIANCE AND POWER CABLE CAREFULLY FOR DAMAGE BEFORE EACH USE.
- KEEP THE APPLIANCE AWAY FROM CHILDREN.
- BEFORE CONNECTING THE APPLIANCE, CHECK IF THE VOLTAGE INDICATED ON THE BOTTOM OF THE APPLIANCE IS IN ACCORDANCE WITH THE MAINS VOLTAGE IN YOUR HOME.
- THIS APPLIANCE CAN BE USED BY CHILDREN AGED FROM 8 YEARS AND ABOVE AND PERSONS WITH REDUCED PHYSICAL, SENSORY OR MENTAL CAPABILITIES OR LACK OF EXPERIENCE AND KNOWLEDGE IF THEY HAVE BEEN GIVEN SUPERVISION OR INSTRUCTION CONCERNING USE OF THE APPLIANCE IN A SAFE WAY AND UNDERSTAND THE HAZARDS INVOLVED. CHILDREN SHALL NOT PLAY WITH THE APPLIANCE. CLEANING AND USER MAINTENANCE SHALL NOT BE MADE BY CHILDREN WITHOUT SUPERVISION.
- **SOME PARTS OF THIS PRODUCT CAN BECOME VERY HOT AND CAUSE BURNS. PARTICULAR ATTENTION HAS TO BE GIVEN WHERE CHILDREN AND VULNERABLE PEOPLE ARE PRESENT.**
- CHILDREN OF LESS THAN 3 YEARS SHOULD BE KEPT AWAY UNLESS CONTINUOUSLY SUPERVISED.
- DO NOT USE IF THE POWER CORD OR PLUG IS DAMAGED. TO BE REPAIRED BY A QUALIFIED ELECTRICIAN OR TO BE REPLACED BY THE MANUFACTURER, SERVICE AGENT OR SIMILARLY QUALIFIED PERSON, IN ORDER TO AVOID A HAZARD.

PLUG WIRING (UK & IRELAND)

This appliance is fitted with a BS 1363 13-amp plug. If you have to replace the fuse, only those that are ASTA or BSI approved to BS1362 and with a rated current of 13-amperes should be used. If there is a fuse cover fitted, this cover must be re-fitted after changing the fuse. If the fuse cover is lost or damaged the plug must not be used. Spare fuse holders and fuses are available from electrical outlets. If the socket outlets in your home or office are not suitable for this product's plug, the plug must be removed and disposed of safely. Attempts to insert the plug into the wrong socket is likely to cause electric hazard. A replacement plug should be wired according to the following instructions:

The cable

A mains electricity cable contains two or three inner wires. Each has a core of copper and an outer layer of flexible plastic. This product is double insulated; the wires in the cord set are colour coded in the following way:

BLUE
BROWN

NEUTRAL
LIVE

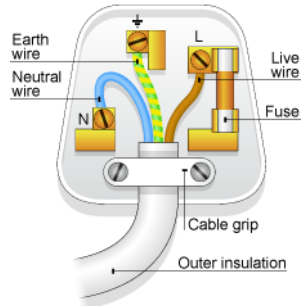
Hedge Trimmer Battery Charger 10682 Instructions for Use

Please read and retain these instructions for future reference

v001: 14/11/16

GREEN & YELLOW EARTH

The diagram below shows the key features of a correctly wired three-pin mains plug.



Note:

Double insulated appliances do not need the green & yellow Earth wire. They may only have the Brown and Blue wires.

CARE AND CLEANING INSTRUCTIONS

- Always switch off and unplug before cleaning.
- Do NOT immerse in water. Risk of electric shock.
- Do NOT use abrasive cleaners or sharp utensils to clean this appliance.
- Wipe surfaces with a soft dry cloth.
- Allow to dry thoroughly before further use.
- Store the unit in a cool, dry place.

DISPOSAL

- Dispose of all packaging, paper, cartons and plastic, plastic bags in accordance with your local recycling regulations.
- At the end of the product's lifespan please dispose of it at an authorised household WEEE waste recycling centre.



Head Office, 11 Bridge Street,
Bishop's Stortford CM23 2JU
Tel: 0844 482 4400*
Fax: 01279 756595
www.coopersofstortford.co.uk

Coopers
OF STORTFORD

*Calls cost 7 pence per minute plus your telephone company's network access charge.

Product Details:

Battery	R3-360-AH-U-02 (Lithium ion)
Battery voltage/operation voltage	36V
Battery capacity	2.5 Ah
Battery power	100 Wh
Weight	0.685 kg

The Hedge Trimmer Battery is for use in conjunction with

36v hedge trimmer – Item Code 10681

Hedge Trimmer Battery Charger – Item Code 10682



Read and understand the operating instructions before using the appliance. Familiarise yourself with the control elements and how to use the appliance properly. Abide by all the safety measures stated in the service manual. Act responsibly toward third parties.

The operator is responsible for accidents or risks to third parties.

Safety Instructions



WARNING

- Read all safety warnings and all instructions. Failure to follow the warnings and instructions may result in electric shock, fire and/or serious injury. Save all warnings and instructions for future reference.
- For adult use only.
- Children may not play with the machine.
- Cleaning and user maintenance may not be provided by children without supervision.

Battery

Vapours may leak out in case of unauthorised use or when using a damaged rechargeable battery. Get fresh air and seek medical advice if experiencing difficulties. Vapours may irritate the respiratory system.



Risk of Fire! Risk of Explosion!

- Never use damaged, defective or deformed battery. Never open or damage the battery or let it fall on the ground.






- Never charge the battery in an environment with acids and easily flammable materials.
- Protect the battery from heat and fire.
- Battery to be used at ambient temperatures between 10°C and +40°C only.
- Never put the battery on heaters and do not expose it to strong sunlight for a long time.
- Let the battery cool down after use and/or after charging.
- Short circuit - do not bridge the battery contacts with metal parts.
- The battery must be packaged (plastic bag, box) or battery contacts must be sealed up for battery disposal, transport or storage.

Battery – User Instructions

Rechargeable batteries are supplied partially charged and must therefore be fully charged before being used for the first time.

- Charge the battery when the appliance is running slowly or stops.
- A li-ion battery may be charged at any time without any shortening its life. Interrupting the charging process will not damage the battery.
- A li-ion battery is protected by the Electronic Cell Protection against deep discharge.
- A significantly shorter operating time of a charged battery means the battery life is over and the battery must be replaced.
- Remove the batteries if left for long periods. Only use original spare batteries.

Explanation of symbols

SYMBOL	DESCRIPTION
 Li-Ion	Rechargeable battery contains lithium! Do not dispose of in rubbish bin! - Discharge the rechargeable battery by operating the tool at idle until the motor stops. - Take the rechargeable battery out of the tool.
 MAX 40°C	Do not expose batteries to temperatures above 40°C.
	Confirms the conformity of the electric tool with the Directives of the European Community.
	WARNING SYMBOL Indicates danger, safety notes or causes for particular caution. This symbol may occur in combination with other symbols or pictograms.
	If you do not adhere to the instructions and safety measures described in the Operating Instructions severe injuries may occur. Read the Operating Instructions before you start and operate this device.