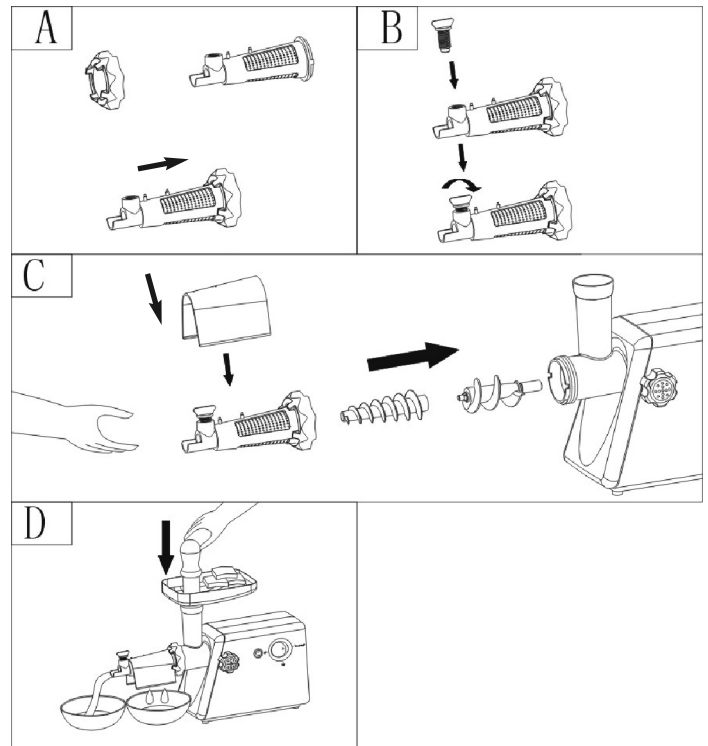
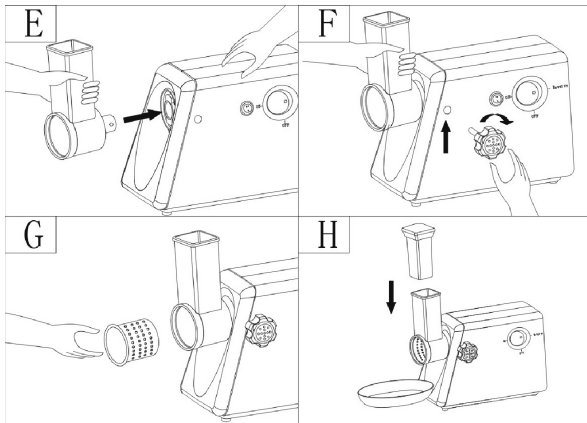


TOMATO JUICER

- Pull the tomato attachment through the fixing ring (fig. A).
- Fix the adjustable screw to the front of tomato attachment (fig. B).
- Fix to the grinder as in (fig. C).
- Place containers under the tomato attachment (fig. D) to collect juice and residue. Attach the hopper plate. Cut the tomatoes into quarters, turn the machine on and press down gently with the food pusher.
- The adjustable screw will make the juice thicker or thinner.

Grater and Cutter Attachment

- Place the vegetable cutting head on to the machine (fig. E) using the locking knob. (Fig F)
- Choose the required cutting plate (fine grater, medium grater or slicer) and insert into the vegetable cutting head. (fig G)
- Put the vegetable or cheese etc into the cutter head, turn the machine on and press down gently with the vegetable pusher.



CLEANING

- Make sure that the motor has stopped completely.
- Disconnect the plug from the power outlet.
- Remove any trapped food, etc. Wash each part in warm soapy water. Do not clean any part in a dishwasher.
- Only use washing up liquid or mild non-abrasive cleaning solutions.
- Do not immerse the motor housing in water; surface wipe with a damp cloth only

PACKAGING DISPOSAL:

- Dispose of the packaging at your local recycling centre.
- Dispose of paper and carton separately from plastic bags at your local recycling centre.
- Dispose of the item at the end of its lifespan at your local authorised household waste recycling centre.