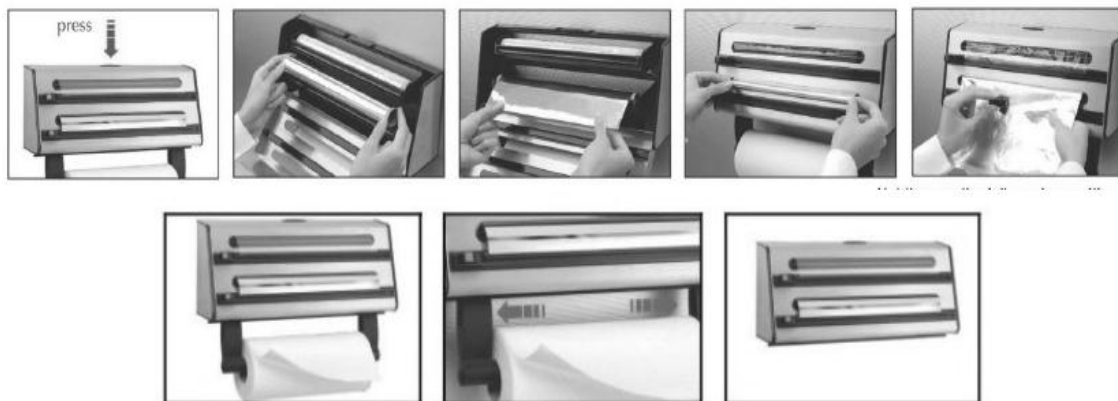
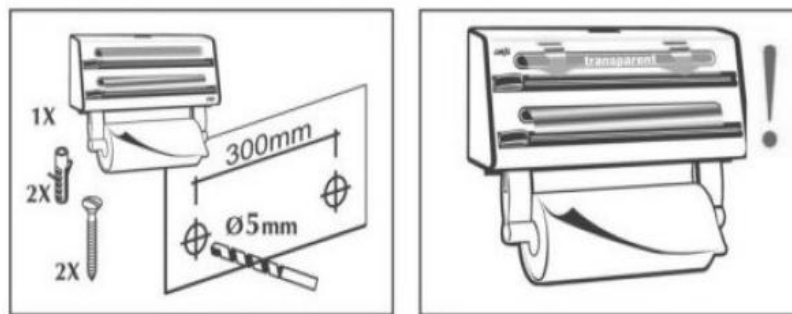


Please read and retain for future reference

Assembly & Use:

- Affix the dispenser to the kitchen wall using the wall mountings included.
- Press the button at the top of the unit to release the front hatch.
- Insert cling film into the top compartment of the dispenser and tin foil into the second compartment.
- This dispenser fits roll up to 30 cm width (300mm).
- Carefully feed the film and foil ends into the cutters on the front hatch.
- Close the dispenser hatch.
- Pull you film or foil to the required length and slide the lever from left to right to cut.
- Kitchen towel can be conveniently stored using the bottom holder (shown below).



Maintenance:

- Wash with mild detergent and dry thoroughly before use.

Disposal:

- Dispose of all paper, cartons and plastic in accordance with your local recycling regulations. At the end of the product's lifespan please dispose of it at an authorised household waste recycling centre.

PLEASE SAVE THESE INSTRUCTIONS FOR FUTURE REFERENCE.

