



FOR OUTDOOR GARDEN USE

Power Details:

Battery Voltage: DC 3.6V Lithium - Ion

Power supply for Battery charger:

- **Input: 100-240V a.c., 50-60Hz, 8W**
- **Output: 6VDC,400mA**
- **IPX0**
- **Connect to indoor mains socket only**
- **No Load Speed 1000rpm**
- **Cutting Length 110mm-Cutting Width 80mm**
- **Battery Capacity 1.5Ah- Charging Time 4 hours**
- **Net Weight 0.6kg (no swivel handle) 1kg (with swivel handle)**

Accessories: 1pc 110mm hedge trimmer blade.
1pc 80mm grass shear.
1pc 3.6V battery.
1pc wheel assembly
1pc battery charger.

Head Office, 11 Bridge Street,
Bishop's Stortford CM23 2JU
Tel: 0844 482 4400*
Fax: 01279 756 595
www.coopersofstortford.co.uk

Coopers
OF STORTFORD

Please read this instruction manual thoroughly before starting and ensure you are familiar with the operation of your new hedge and grass trimmer.

SAFETY INSTRUCTIONS:

WHEN USING ELECTRICAL APPLIANCES, BASIC SAFETY PRECAUTIONS SHOULD ALWAYS BE FOLLOWED:

- READ ALL INSTRUCTIONS BEFORE USE.
- TO PROTECT AGAINST ELECTRIC SHOCK, DO NOT IMMERSE CORD, PLUG OR APPLIANCE IN WATER OR ANY OTHER LIQUID.
- UNPLUG FROM OUTLET WHEN NOT IN USE AND BEFORE CLEANING.
- DO NOT OPERATE ANY APPLIANCE WITH A DAMAGED CORD OR PLUG OR AFTER THE APPLIANCE MALFUNCTIONS, OR HAS BEEN DAMAGED IN ANY MANNER. WE RECOMMEND THAT THE POWER CORD IS NOT KINKED OR STORED IN A TWISTED MANNER, AND THAT YOU REGULARLY CHECK ITS CONDITION.
- THE USE OF ANY ACCESSORY ATTACHMENTS NOT RECOMMENDED BY COOPERS OF STORTFORD MAY CAUSE INJURIES AND INVALIDATE ANY WARRANTY YOU MAY HAVE.
- DO NOT PLACE ON OR NEAR HEAT SOURCES.
- USE ON A LEVEL, STABLE SURFACE.
- **DO NOT** COVER THE ITEM IN ANY WAY WHEN IN USE AS THIS MAY CAUSE OVERHEATING.
- DO NOT USE THIS APPLIANCE FOR ANY OTHER USE THAN THE INTENDED USE IT IS DESIGNED FOR.
- BEFORE USE, CHECK THOROUGHLY FOR ANY DEFECTS AND DO NOT USE IF DEFECTS ARE FOUND. TAKE CARE NOT TO DROP THE APPLIANCE AS HEAVY IMPACTS MAY CAUSE INTERNAL DAMAGE.

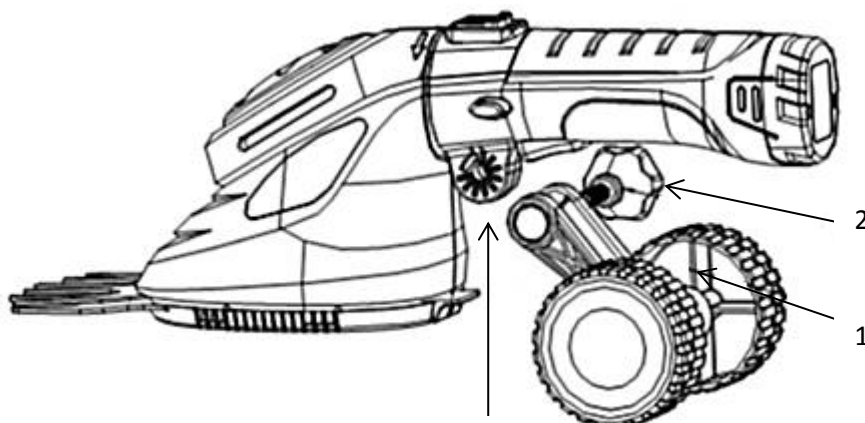
Contents

Power Details:.....	1
SAFETY INSTRUCTIONS:	2
ASSEMBLY:	3
FITTING/ REMOVING THE TELESCOPIC SWIVEL HANDLE:.....	4
OPERATING YOUR TOOL:	4
CUTTING WITHOUT SWIVEL HANDLE:	4
CUTTING WITH HANDLE:	5
SWIVEL HEAD FUNCTION:.....	5
ASSEMBLY INSTRUCTIONS:	6
CHANGING THE BLADES:.....	6
MAINTENANCE:.....	7
BEFORE FIRST USE:.....	7
WARNING.....	8
BATTERIES:	8
DISPOSAL.....	9
DECLARATION OF CONFORMITY.....	9

ASSEMBLY:

FITTING/ REMOVING THE WHEELS:

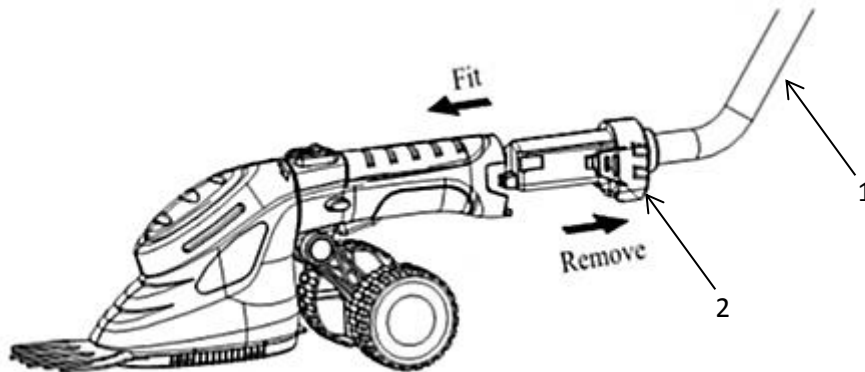
- Insert wheel frame (1) into handle shell, tighten frame knob (2).
- Remove the wheel by loosening frame knob (2) and take wheel out of frame.
- Do not turn the device on when you are fitting or removing parts.



Handle Shell

FITTING/ REMOVING THE TELESCOPIC SWIVEL HANDLE:

- Guide the swivel handle 1 at the desired angle into the holder of the grass trimmer until the lock engages.
- The starting lock out and ON button on the tool do not function when the swivel hand is mounted.
- Press the release button 2 and pull to remove the swivel handle (see image below).

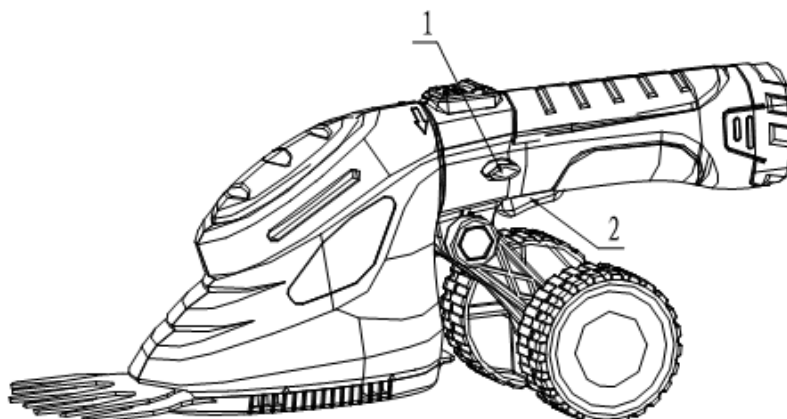


OPERATING YOUR TOOL:

- Never remove or link the switching devices.
- The starting lockout prevents your tools from being switched on accidentally.

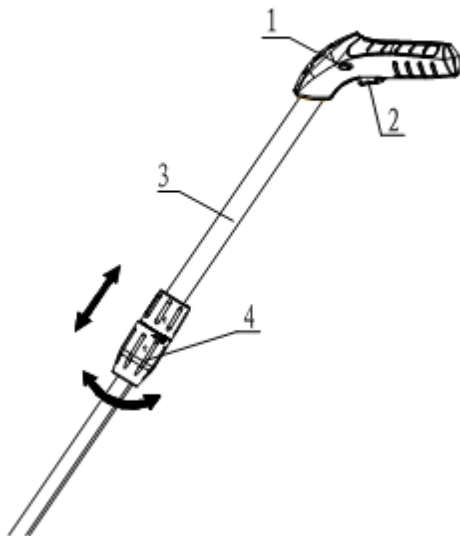
CUTTING WITHOUT SWIVEL HANDLE:

- Push lock off button (1) forward and press switch (2).
- Release the lock off button (1) again. (see image below)



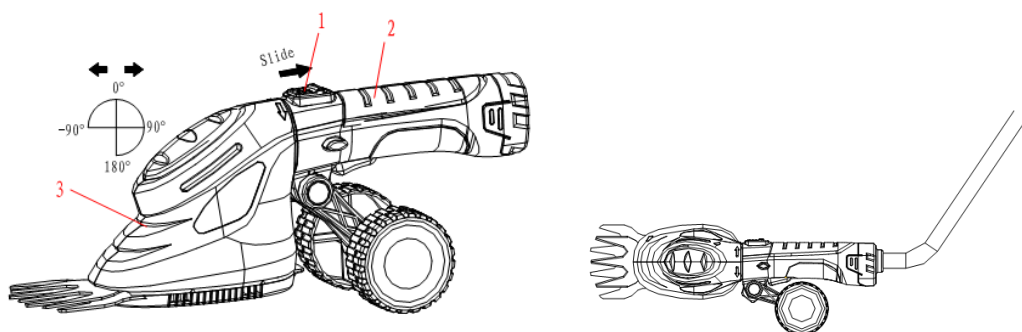
CUTTING WITH HANDLE:

- The lock off button (1) prevents your tools from being switched on unintentionally.
- DO NOT TURN on the switch when you adjust the swivel handle. This can cause serious injury.
- Attach the swivel handle.
- Hold the tube (3) with one hand, and then loosen the adjusting bolt (4).
- Push the lock-off button (1) forward and press switch (2) (see image below).



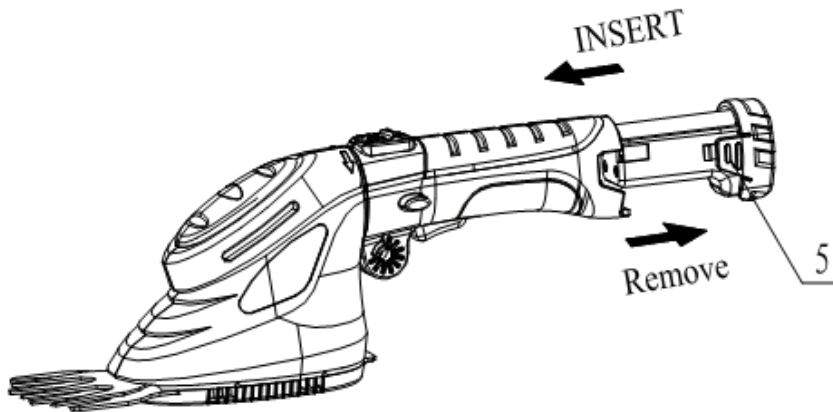
SWIVEL HEAD FUNCTION:

- Hold the handle (2) tightly. Slide the lock button (1) up and then turn the cutter head (3) to the desired position. Release the lock button (1) and check whether the cutter head is locked in place.
- The cutter head can be locked in five positions.
- Swivel 90 degrees for trimming grass (see image below).



ASSEMBLY INSTRUCTIONS:

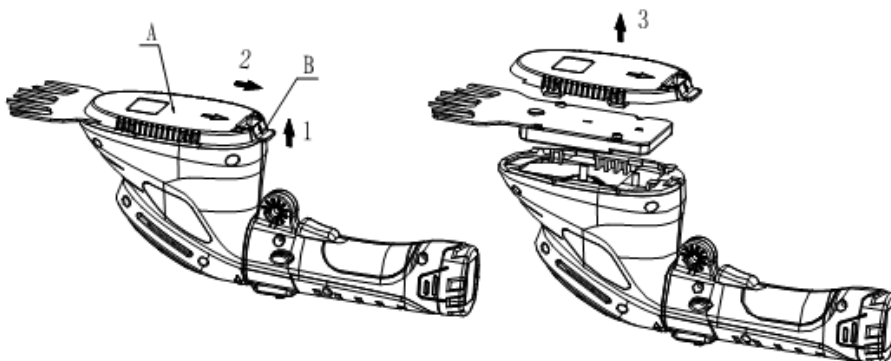
- Remove the battery pack before adjusting or changing the moveable blade or cleaning.
- Insert/ remove the battery pack.

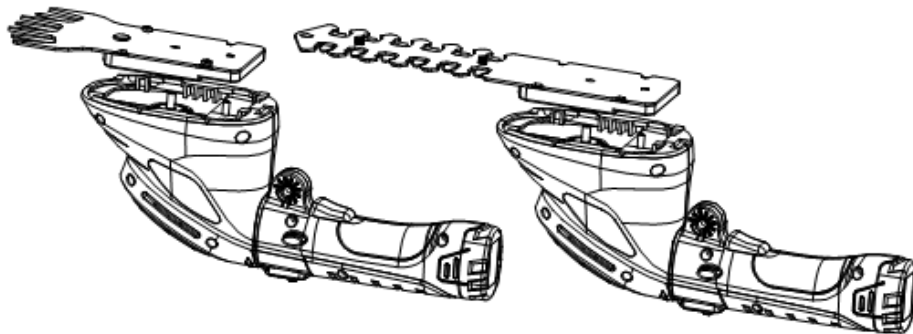


- **Always release the On/Off switch before insertion or removal of the battery pack.**
- Press spring buttons 5 on both side of the carriage to release the battery cartridge.
- The moving blade will move back if the moving blade is not in the fully open position when inserting the battery pack.

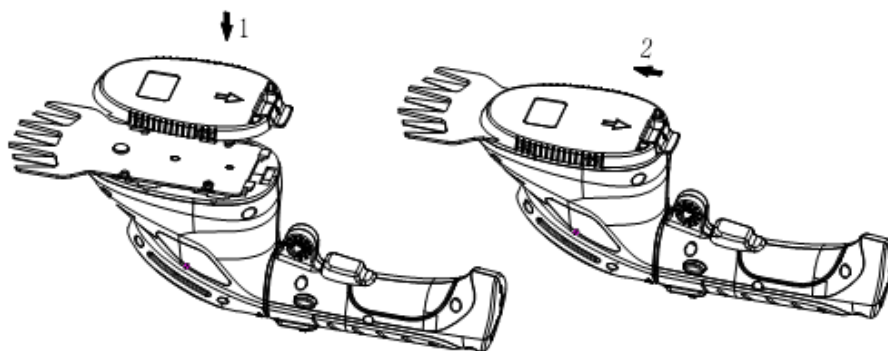
CHANGING THE BLADES:

- Do not attempt to operate the tool whilst changing the blades.
- To change the blade, remove the blade cover (A)(see image below).
- Hold the machine in one hand as shown in the image. Lever the retainer (B) upwards with your thumb and forefinger of the other hand.
- Hold the blade cover firmly and pull it backwards.
- Remove the blade cover upwards.
- Take off the blade and replace with other blade.





- **Do not operate the switch before the blade cover is installed.**
- Insert the blade cover by aligning the two lines marked in the image below.
- Push the blade cover forwards until the retainer fits in a suitable position.



MAINTENANCE:

- Do not rinse the machine with water.
- The cutter should be stored in a safe, dry place when not in use.
- Check that the blade is in a good state of repair before each use.
- The blade should be cleaned and lubricated after every use of the cutter.
- Always unplug the appliance before cleaning and remove all accessories.

BEFORE FIRST USE:

- ENSURE THE BATTERY IS FULLY CHARGED BEFORE FIRST USE.
- IF THE BLADE BECOMES JAMMED WHILST CUTTING, IMMEDIATELY TURN THE UNIT OFF AND CAREFULLY RELEASE THE BLOCKAGE.
- ENSURE THAT BATTERY TERMINALS CANNOT BE SHORT-CIRCUITED BY OTHER METAL PARTS SUCH AS SCREWS, NAILS, ETC.
- USE ONLY THE CHARGER AND BATTERY PACK PROVIDED BY THE MANUFACTURER.

WARNING

- CHECK THE APPLIANCE AND POWER CABLE CAREFULLY FOR DAMAGE BEFORE EACH USE.
- KEEP THE APPLIANCE AWAY FROM CHILDREN.
- BEFORE CONNECTING THE APPLIANCE, CHECK IF THE VOLTAGE INDICATED ON THE BOTTOM OF THE APPLIANCE IS IN ACCORDANCE WITH THE MAINS VOLTAGE IN YOUR HOME.
- THIS APPLIANCE IS NOT INTENDED FOR USE BY ANYONE WITH REDUCED PHYSICAL, SENSORY OR MENTAL CAPABILITIES, OR LACK OF EXPERIENCE OR KNOWLEDGE, UNLESS THEY HAVE BEEN GIVEN SUPERVISION OR INSTRUCTION CONCERNING USE OF THE APPLIANCE BY A PERSON RESPONSIBLE FOR THEIR SAFETY.
- THIS UNIT IS FOR DOMESTIC USE ONLY.
- **SOME PARTS OF THIS PRODUCT CAN BECOME VERY HOT AND CAUSE BURNS. PARTICULAR ATTENTION HAS TO BE GIVEN WHERE VULNERABLE PEOPLE ARE PRESENT.**
- DO NOT USE IF THE POWER CORD OR PLUG IS DAMAGED. IT MUST BE REPAIRED BY A QUALIFIED ELECTRICIAN OR TO BE REPLACED BY THE MANUFACTURER, SERVICE AGENT OR SIMILARLY QUALIFIED PERSON, IN ORDER TO AVOID A HAZARD.

CARE AND CLEANING INSTRUCTIONS:

- Always switch off and unplug before cleaning.
- Do NOT immerse in water. Risk of electric shock.
- Do NOT use abrasive cleaners or sharp utensils to clean this appliance.
- Wipe surfaces with a soft dry cloth.
- Allow to dry thoroughly before further use.
- Store the unit in a cool, dry place.

BATTERIES:

- Keep the battery pack away from children and pets.
- Do not mix used and new batteries.
- Remove the battery pack if left for long periods.
- Only use the battery pack detailed in the Technical Specification.
- Only recharge the battery pack using the battery charger provided.
- Never dispose of batteries in a fire.
- Battery disposal, spent or expired batteries must be properly disposed of and recycled in compliance with local regulations. For detailed information, contact your local authority.
- Follow the battery manufacturer's safety, usage, and disposal instructions.

DISPOSAL

- Dispose of all packaging, paper, cartons and plastic, plastic bags in accordance with your local recycling regulations.
- At the end of the product's lifespan please dispose of it at an authorised household WEEE waste recycling centre.

TECHNICAL - NOISE LEVELS:

Tested as grass shear without pole: $L_{WA}=81,10 \text{ dB(A)}$ $L_{pA}=75,47 \text{ dB(A)}$	Tested as grass shear with pole: $L_{WA}=80,54 \text{ dB(A)}$ $L_{pA}=67,10 \text{ dB(A)}$
Noise level in accordance with the Noise Directive: $L_{WA}= 88 \text{ dB(A)}$	Standard Deviation: $K=3 \text{ dB}$

DECLARATION OF CONFORMITY

Coopers of Stortford that the Hedge and Grass Trimmer 10273, (Model No.NOE-17ET-3.6)

Conforms to the following European Directives and standards

- Machinery Directive 2006/42/EC
- Low Voltage Directive 2014/35/EU
- EMC Directive 2014/30/EU
- Noise Directive 2000/14/EC & 2004/88/EC
- RoHS Directive 2011/65/EU

The Technical file in accordance with 2006/42/EC is available from:

Coopers of Stortford, 11 Bridge Street, Bishop's Stortford, Hertfordshire, CM23 2JU.

