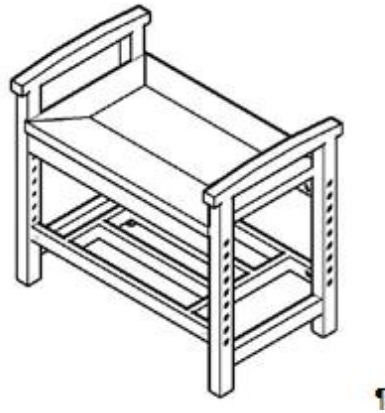


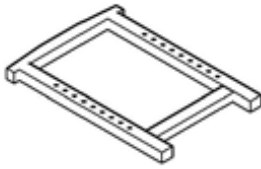
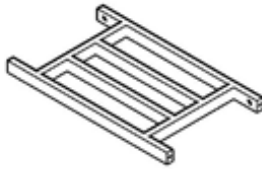
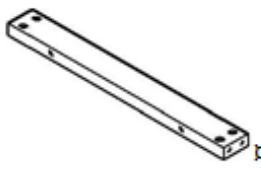
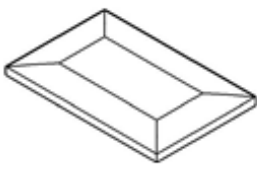




TAPESTRY SHOE BENCH 10368 Instructions for Use

Please read and retain these instructions for future reference

v001: 13/07/16



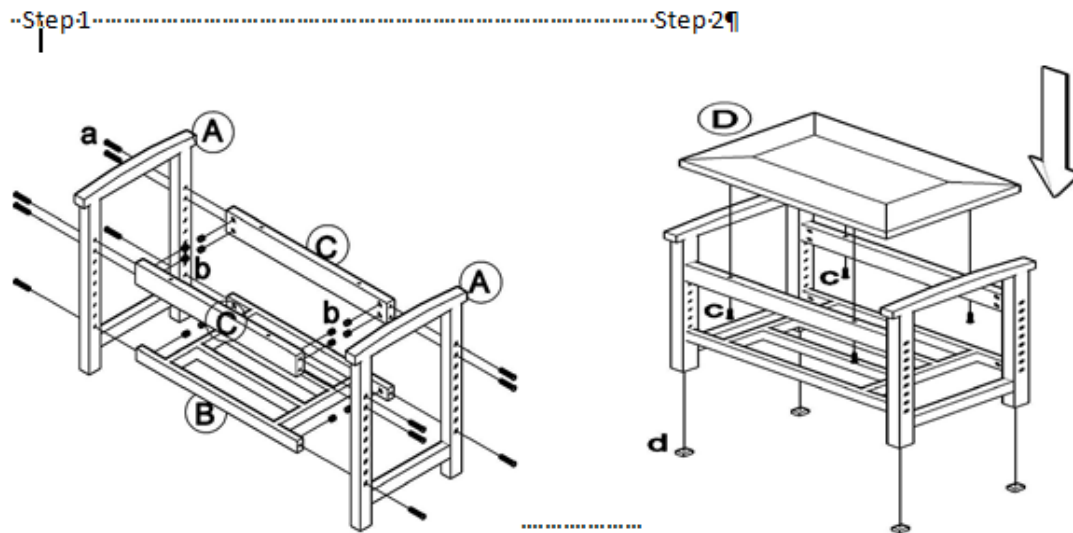
Parts:

| | | | |
|---|---|--|---|
|  |  |  |  |
| A-X-2 | B-X-1 | C-X-2 | D-X-1 |
|  |  |  |  |
| 6mmDiax50mmL | 9mmDiax-10mmL | 3.5mmdiax40mmL | |
| a-x-12 | b-x-12 | c-x-4 | d-x-4 |

TAPESTRY SHOE BENCH 10368 Instructions for Use

Please read and retain these instructions for future reference

v001: 13/07/16



WARNING:

Adult Assembly Required.

Do not place directly in front of or near sources of heat

Periodically check that all fixings are secure and tighten if necessary.

Weight limit: 100 kgs

CLEANING INSTRUCTIONS:

Clean with a dry cloth or duster.

DISPOSAL:

- Dispose of all packaging, paper, cartons and plastic, plastic bags in accordance with your local recycling regulations.
- At the end of the product's lifespan please dispose of it at an authorised household waste recycling centre.