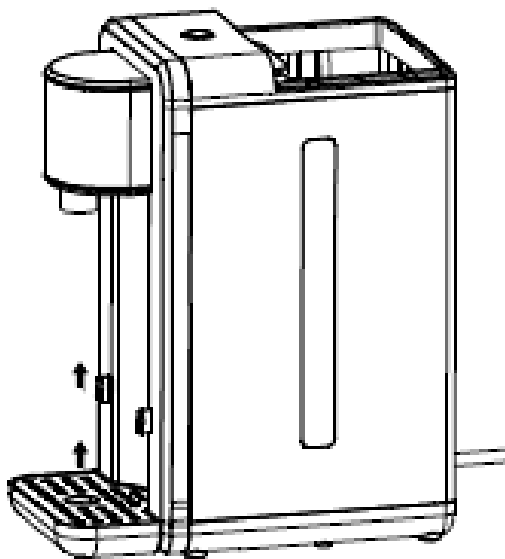


2.5L Black Instant Water Boiler 11102 Instructions for Use

Please read and retain these instructions for future reference

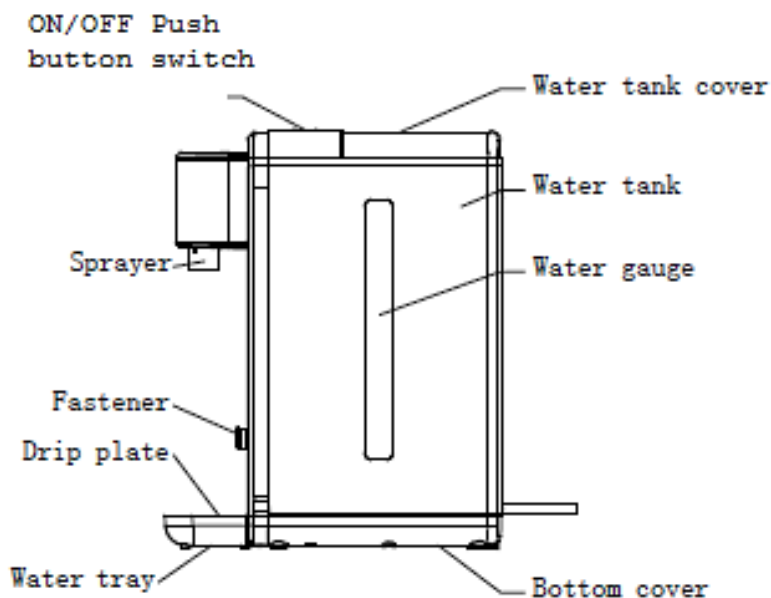
v001: 06/03/18



Power Details: 220-240V A.C.
2200-2600W
50/60Hz

Please read this instruction manual thoroughly before starting and ensure you are familiar with the operation of your new Instant Water Boiler.

Parts



2.5L Black Instant Water Boiler 11102 Instructions for Use

Please read and retain these instructions for future reference

v001: 06/03/18

Contents

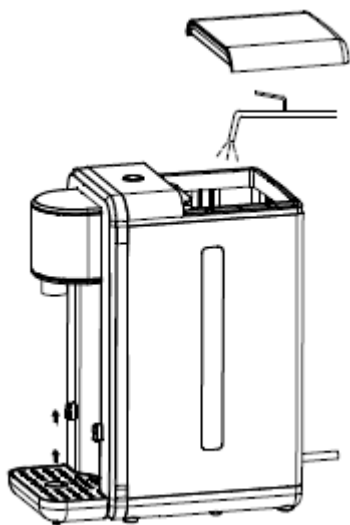
Power Details:.....	1
Parts.....	1
1.Fill with water	2
2.Dispense water	3
Caution	3
Remarks	3
3.Water disposal from the water tray.....	3
4. Cleaning and Maintenance	4
Troubleshooting	4
WARNINGS AND SAFETY INSTRUCTIONS:	5
PLUG WIRING (UK & IRELAND).....	6
The cable	6
DISPOSAL	6

How to Use:

Before using the appliance for the first time, please clean the water tank. Always unplug from the plug socket and allow to cool down before cleaning. Wipe the surface of the water tank with a damp cloth and polish with a soft dry cloth. Fill water tank with clean water to rinse. Repeat these steps several times, then refill with clean water for operation.

We recommend placing this water boiler on a heat resistant mat.

1. Fill with water:



Open the lid and fill the water tank with the desired amount of water, and then close the lid.

Note: The water level must be less than the Max level.

It is recommended to use filtered water.

2.5L Black Instant Water Boiler 11102 Instructions for Use

Please read and retain these instructions for future reference

v001: 06/03/18

2. Dispense water:

Make sure the plug is connected to the proper wall outlet, and fill water tank with water. Place your cup on the removable water tray. Make sure the cup is aligned with the spout. Press the button once and the blue light turns on. After about 5-8s, hot water is dispensed. If you press the button twice, the green light turns on and continuous hot water is dispensed. When you have obtained your desired amount of water, press the button again and the appliance stops working at once.

If there is not enough water in the water tank, the blue light and the green light will flash alternately.

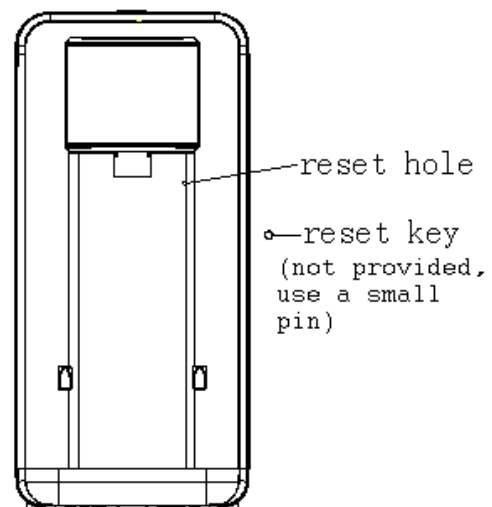
To obtain hot water again, repeat the above procedure.

Caution:

- In the event of the ON/OFF switch malfunctioning and preventing water flow from stopping, stop using this immediately.
- Switch off from the mains plug socket and unplug immediately.

Remarks:

- Do not touch the boiled water and steam to avoid risk of scalding.
- The appliance has a manual thermostat to reset the heating function. If the unit has no power, has stopped working or does not dispense boiling water, you can reset the thermostat by pressing the reset button.



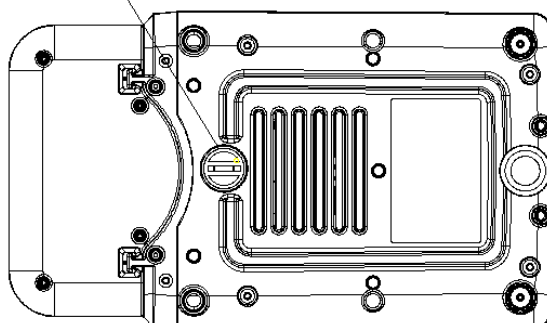
3. Water disposal from the water tray

When the water tray is full, stabilize the appliance with one hand and grasp the water tray. Use the other hand to lift up the water tray slightly to remove it. Empty the water tray and insert it into the original place with proper force.

- After emptying and cleaning the appliance, turn the appliance upside down to open the drainage stopper in order to clear the drip tray from waste water. Tighten the drainage stopper after opening it. Ensure this is tight to avoid leakage.

Note: If water is leaking from the bottom the drainage stopper needs to be tightened.

drainage stopper



4. Cleaning and Maintenance

1. Always switch off and unplug your water dispenser and allow it to cool completely before cleaning.
2. Do not immerse the appliance into any liquid.
3. Scale cleaning tips: after 3 hours cumulative use of the water boiler, the green light will flash as a descaling reminder. Please use a toxic free descaler or detergent such as citric acid, to add citric acid into water at 1:100 proportions, and always operate the appliance about three times to remove any scaling, or repeat until water flow is steady.

Alternatively you can use a descaling fluid such as Mrs Cooper's Best Appliance Descaler (Item code 9958). Follow instructions on the bottle for water boilers, mix 1 part descaling liquid to 5 parts water and pour the descaling liquid into the water tank. Operate the appliance until the descaling liquid flows out of the spout (catch the liquid in a container) and repeat at least 3 times to remove the scale or repeat until the water flow is steady.

4. After descaling, please pour out all the boiled water in the water tank and add clean water to operate the appliance twice before use.
5. Do not use any chemical, metal, wood or abrasive detergent to clean the appliance housing, always use a damp cloth.

Always handle the appliance gently, do not place it near the edge of the table and the counter, to avoid it falling accidentally.

Troubleshooting

Blue and the green light flash alternately.	There is not enough water in the water tank. Fill up water tank to below maximum level.
Unit has no power Unit stopped working Unit does not dispense boiling water	Reset the thermostat by pressing the reset button.
Water is leaking from the bottom.	The drainage stopper needs to be tightened.

2.5L Black Instant Water Boiler 11102 Instructions for Use

Please read and retain these instructions for future reference

v001: 06/03/18

Green light flashing.	After 3 hours cumulative use of the water boiler, the green light will flash as a descaling reminder.
Water does not stop flowing when the ON/OFF switch is switched OFF.	Caution! Stop using this immediately. Switch off from the mains plug socket and unplug immediately.

WARNINGS AND SAFETY INSTRUCTIONS:

WHEN USING ELECTRICAL APPLIANCES, BASIC SAFETY PRECAUTIONS SHOULD ALWAYS BE FOLLOWED AND READ ALL INSTRUCTIONS BEFORE USE:

- FOR DOMESTIC INDOOR USE ONLY.
- DO NOT USE OUTDOORS OR FOR COMMERCIAL USE.
- BEFORE USE, CHECK THOROUGHLY FOR ANY DEFECTS AND DO NOT USE IF DEFECTS ARE FOUND. TAKE CARE NOT TO DROP THE APPLIANCE AS HEAVY IMPACTS MAY CAUSE INTERNAL DAMAGE.
- BEFORE CONNECTING THE APPLIANCE, CHECK IF THE VOLTAGE INDICATED ON THE BOTTOM OF THE APPLIANCE IS IN ACCORDANCE WITH THE MAINS VOLTAGE IN YOUR HOME.
- CHECK THE APPLIANCE AND POWER CABLE CAREFULLY FOR DAMAGE BEFORE EACH USE.
- THIS APPLIANCE CAN BE USED BY CHILDREN AGED FROM 8 YEARS AND ABOVE AND PERSONS WITH REDUCED PHYSICAL, SENSORY OR MENTAL CAPABILITIES OR LACK OF EXPERIENCE AND KNOWLEDGE IF THEY HAVE BEEN GIVEN SUPERVISION OR INSTRUCTION CONCERNING USE OF THE APPLIANCE IN A SAFE WAY AND UNDERSTAND THE HAZARDS INVOLVED. CHILDREN SHALL NOT PLAY WITH THE APPLIANCE. CLEANING AND USER MAINTENANCE SHALL NOT BE MADE BY CHILDREN WITHOUT SUPERVISION.
- CHILDREN OF LESS THAN 3 YEARS SHOULD BE KEPT AWAY UNLESS CONTINUOUSLY SUPERVISED.
- **SOME PARTS OF THIS PRODUCT CAN BECOME VERY HOT AND CAUSE BURNS. PARTICULAR ATTENTION HAS TO BE GIVEN WHERE CHILDREN AND VULNERABLE PEOPLE ARE PRESENT.**
- THE USE OF ANY ACCESSORY ATTACHMENTS NOT RECOMMENDED BY COOPERS OF STORTFORD MAY CAUSE INJURIES AND INVALIDATE ANY WARRANTY YOU MAY HAVE.
- DO NOT LET THE POWER CABLE HANG OVER THE EDGE OF A TABLE OR COUNTER, OR TOUCH HOT SURFACES.
- DO NOT PLACE ON OR NEAR HEAT SOURCES.
- USE ON A LEVEL, STABLE SURFACE.
- DO NOT COVER THE ITEM IN ANY WAY WHEN IN USE AS THIS MAY CAUSE OVERHEATING.
- DO NOT USE THIS APPLIANCE FOR ANY OTHER USE THAN THE INTENDED USE IT IS DESIGNED FOR.
- ENSURE THERE IS SUFFICIENT DISTANCE BETWEEN THIS APPLIANCE AND OTHER ITEMS ON THE WORK SURFACE OR WORK STATION, OR SUFFICIENT DISTANCE BETWEEN THE APPLIANCE AND THE CONFINES OF THE AREA IN WHICH IT IS SITUATED. WE RECOMMEND A MINIMUM CLEARANCE AROUND ALL FACES OF AT LEAST 10CM.
- ALLOW THE ITEM TO COOL THOROUGHLY BEFORE PUTTING ON OR TAKING OFF PARTS. – FOR OVENS / HEATERS / WATER BOILERS / ANY ITEM WITH HEATING ELEMENTS.

2.5L Black Instant Water Boiler 11102 Instructions for Use

Please read and retain these instructions for future reference

v001: 06/03/18

- TO PROTECT AGAINST ELECTRIC SHOCK, DO NOT IMMERSE POWER CABLE, PLUG OR APPLIANCE, IN WATER OR ANY OTHER LIQUID.
- UNPLUG FROM OUTLET WHEN NOT IN USE AND BEFORE CLEANING.
- DO NOT OPERATE ANY APPLIANCE WITH A DAMAGED POWER CABLE OR PLUG OR AFTER THE APPLIANCE MALFUNCTIONS, OR HAS BEEN DAMAGED IN ANY MANNER. WE RECOMMEND THAT THE POWER CABLE IS NOT KINKED OR STORED IN A TWISTED MANNER, AND THAT YOU REGULARLY CHECK ITS CONDITION.
- ANY REPAIRS MUST BE CONDUCTED BY A QUALIFIED ELECTRICIAN OR ELECTRICAL SERVICE AGENT.
- CAUTION! IN THE EVENT OF THE ON/OFF SWITCH MALFUNCTIONING AND SPOUT WATER FLOW DOES NOT STOP, **STOP USING THIS IMMEDIATELY**. SWITCH OFF FROM THE MAINS PLUG SOCKET AND UNPLUG IMMEDIATELY.

PLUG WIRING (UK & IRELAND)

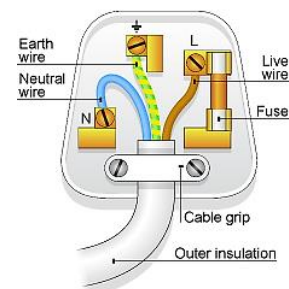
This appliance is fitted with a BS 1363 13-amp plug. If you have to replace the fuse, only those that are ASTA or BSI approved to BS1362 and with a rated current of 13-amps should be used. If there is a fuse cover fitted, this cover must be re-fitted after changing the fuse. If the fuse cover is lost or damaged the plug must not be used. Spare fuse holders and fuses are available from electrical outlets. If the socket outlets in your home or office are not suitable for this product's plug, the plug must be removed and disposed of safely. Attempts to insert the plug into the wrong socket is likely to cause electric hazard. A replacement plug should be wired according to the following instructions:

The cable

A mains electricity cable contains two or three inner wires. Each has a core of copper and an outer layer of flexible plastic. This product is earthed; the wires in the plug are colour coded in the following way:

BLUE	NEUTRAL
BROWN	LIVE
GREEN & YELLOW	EARTH

The diagram shows the key features of a correctly wired three-pin mains plug.



DISPOSAL

- Dispose of all packaging, paper, cartons, plastic and plastic bags in accordance with your local recycling regulations.
- At the end of the product's lifespan please dispose of it at an authorised household WEEE waste recycling centre.

