

Shower Seat with Arms 10470

Instructions for Use

Please read and retain these instructions for future reference

v005:17/04/20



Technical Details:

Max loading:150 kg

1. Basic Parameters and size



2. Parts

Unit name	Quantity	Picture
① backrest	1PC	

*Calls cost 7 pence per minute plus your telephone company's network access charge

Head Office, 11 Bridge Street,
Bishop's Stortford CM23 2JU
Tel: 0844 482 4400*
Fax: 01279 756 595
www.coopersofstortford.co.uk









Coopers
OF STORTFORD

Shower Seat with Arms 10470

Instructions for Use

Please read and retain these instructions for future reference

v005:17/04/20

<p>② backrest tube</p>	<p>2PCS</p>	
<p>③ armrest tube</p>	<p>2PCS</p>	
<p>④ seat carriage</p>	<p>2pcs</p>	
<p>⑤ seat board</p>	<p>1pc</p>	
<p>⑥ U-shaped tube</p>	<p>1pc</p>	
<p>⑦ M6*57 screw+M6 washer Use to assemble seat carriage (4) and U-shaped tube (6))</p>	<p>3pcs</p>	
<p>⑧ M6*30 screw + M6 washer Use for screwing backrest tubes (2) into backrest (1).</p>	<p>4pcs</p>	
<p>⑨ M6*35 stainless screw+M6 washer Use to hold front of seat in place.</p>	<p>2pcs</p>	

Please ensure you use the correct screws for the correct parts.

Do not fully tighten screws initially. Once all parts are in place, go round each screw and tighten up.

*Calls cost 7 pence per minute plus your telephone company's network access charge

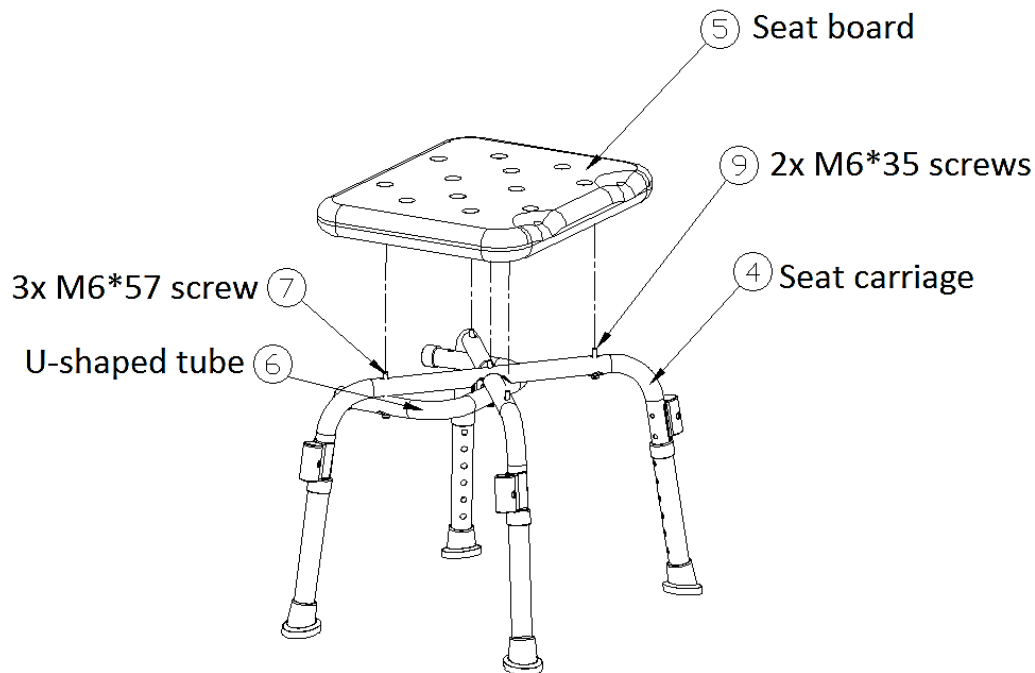
Head Office, 11 Bridge Street,
Bishop's Stortford CM23 2JU
Tel: 0844 482 4400*
Fax: 01279 756 595
www.coopersofstortford.co.uk

Coopers
OF STORTFORD

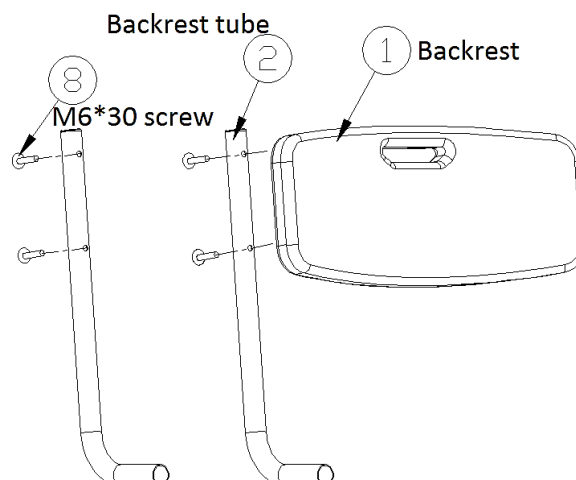
2. Assembly Introductions

Step 1. Assemble the seat carriage , put the seat board on the frame

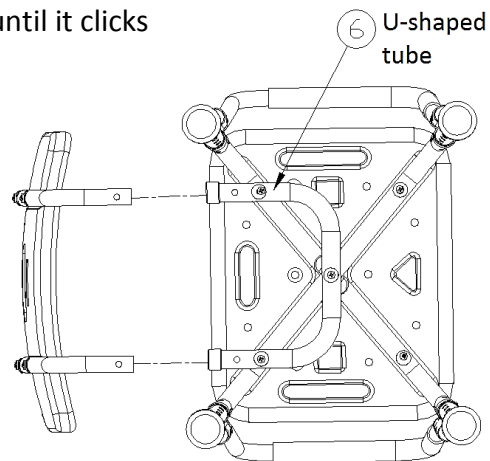
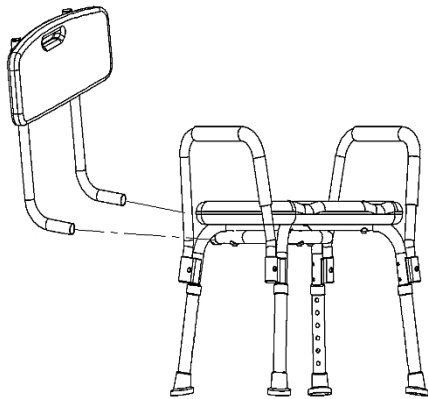
- a) Assemble the 2 seat carriages (4).
- b) Secure the U-shaped tube (6).
- c) Add the seat board.



Step 2: Assemble the backrest board onto the 2 Backrest tubes (2) and secure with the 4x M6&30 screws (8).

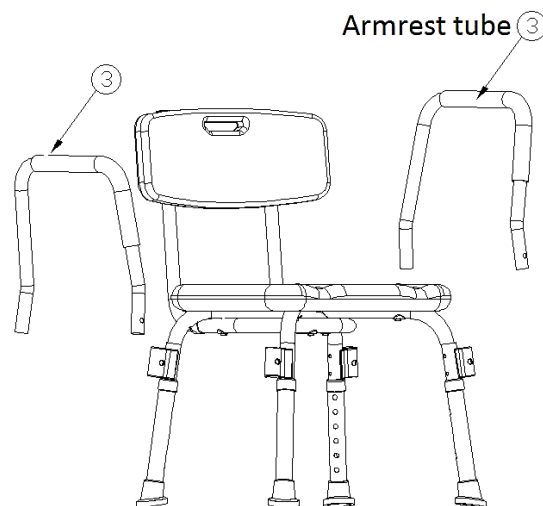


Step 3: Insert the backrest to the U shape tube until it clicks into position.



Step 4: Insert the armrests to the seat carriage until it clicks into position

Tighten all screws.



INSTRUCTIONS:

Before getting into the shower, ensure the Shower Seat is securely positioned and will not slip.

CLEANING INSTRUCTIONS:

- Wipe surfaces with a damp cloth.
- Allow to dry fully before next use.

SAFETY INFORMATION:


- Keep away from children. Children could slip or injure themselves playing on the Shower Seat.
- Where possible ensure that another person is nearby to help assist with standing and sitting if required.
- Check before use that the seat is positioned securely in the shower.
- Use non-slip mats where possible to reduce the risks of slips and falls.
- Use only for intended use.

DISPOSAL

- Coopers of Stortford use recyclable or recycled packaging where possible.
- Please dispose of all packaging, paper, cartons, packaging in accordance with your local recycling regulations.
- Plastics, polybags – Contains the following recyclable plastic.



-

Code & Symbol	 HDPE
Type of Plastic	High-Density Polyethylene
Commonly used for	Milk bottles, cleaning product bottles, yoghurt pots, butter tubs and other food containers
Notes	Commonly recycled and collected from household recycling bins. Check with your local authority

- At the end of the product's lifespan please check with your local council authorised household waste recycling centre for disposal.