

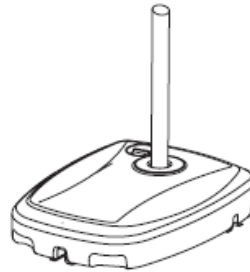
Base for Cantilever Umbrella 10550 Instructions for Use

Please read and retain these instructions for future reference

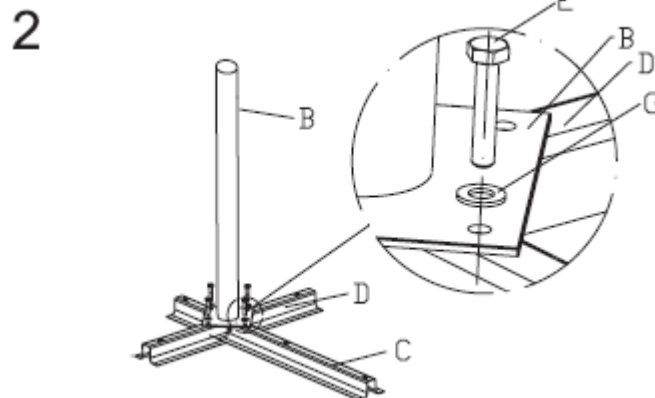
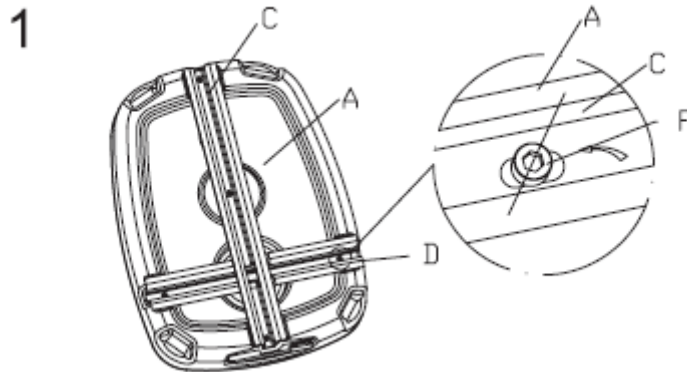
v001: 15/11/16



(Umbrella not included)



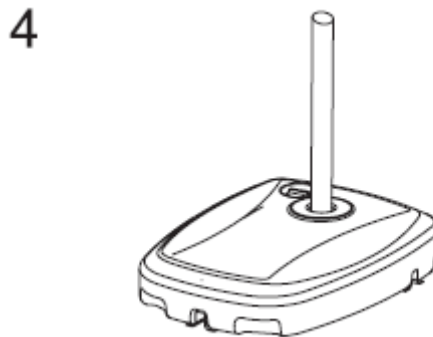
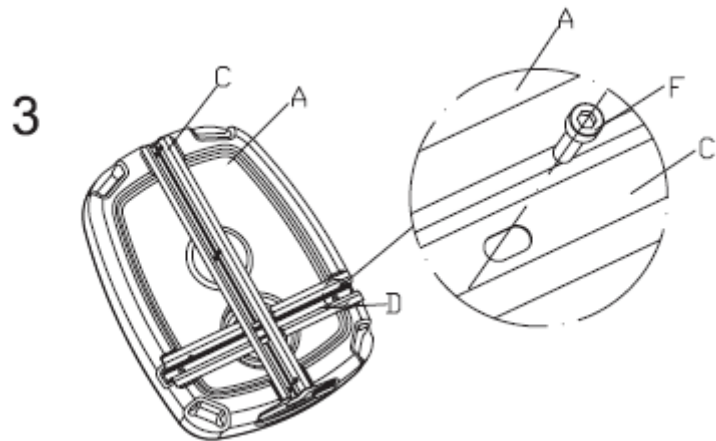
	PARTS LIST	QTY
A		1
B		1
C		1
D		1
E		4
F		5
G		4
H		1
I		1



Base for Cantilever Umbrella 10550 Instructions for Use

Please read and retain these instructions for future reference

v001: 15/11/16



ASSEMBLY:

- Assemble as shown in the photos above.
- Fill with water or sand for stability.
- Ensure the rear plastic screw on plug is tight to prevent leakage.

DISPOSAL:

- Dispose of all packaging, paper, cartons and plastic, plastic bags in accordance with your local recycling regulations.
- At the end of the product's lifespan please dispose of it at an authorised household waste recycling centre.