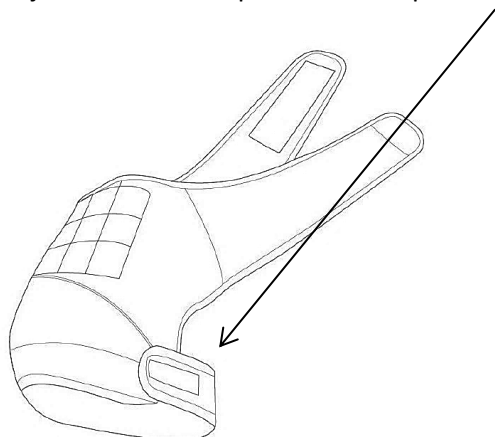


USER INSTRUCTIONS :

The Magnetic Shoulder Strap can help ease discomfort in the shoulder by holding the shoulder with firm targeted compression to alleviate inflammation and swelling. The polychloroprene fabric can improve circulation retaining your body's heat to keep the shoulder warm. The magnetic shoulder strap support is embedded with 18x800 gauss magnets. It can be worn on either shoulder and is easily adjustable with hook and loop system. Fits most sizes and can be worn under or over clothes.

Adjust hook and loop on small strap under arm.

Adjust hook and loop strap across chest and back.



WARNINGS / CAUTIONS:

- This is not a medical device.
- Do not wear with a pacemaker or a medical patch or when pregnant.
- If accidentally swallowed magnets can cause serious injuries requiring immediate medical intervention. Keep away from children

CLEANING INSTRUCTIONS:

- Spot clean, hang to dry.

DISPOSAL:

- Dispose of all packaging, paper, cartons and plastic, plastic bags in accordance with your local recycling regulations.
- At the end of the product's lifespan please dispose of it at an authorised household waste recycling centre.