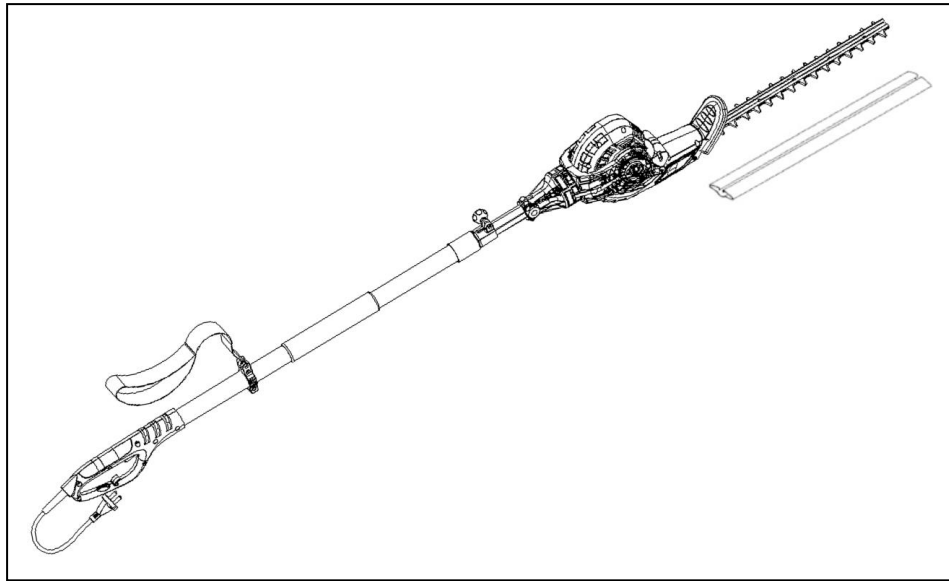


Electric Pole Hedge Trimmer 10597 Instructions for Use

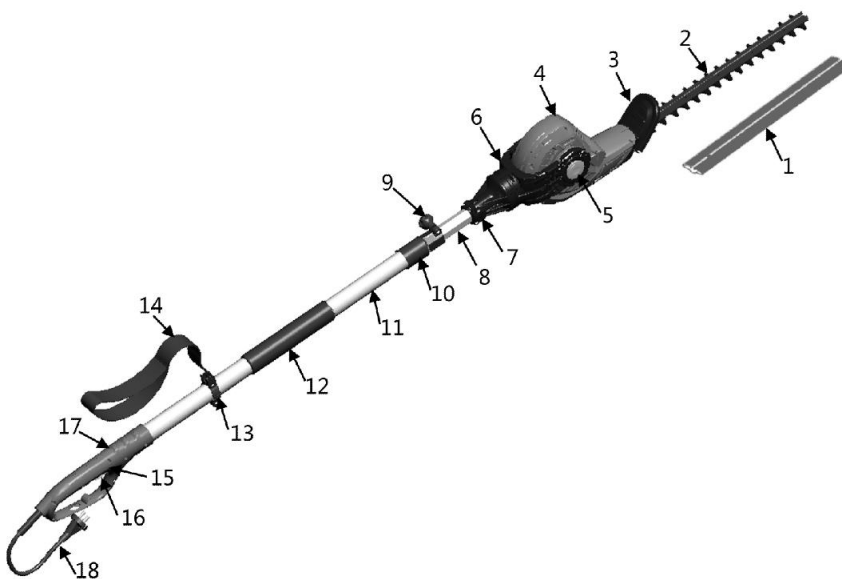
Please read and retain these instructions for future reference

v001: 01/11/16



Voltage/Frequency	230V-240V a.c./ 50Hz	
Input Power	450W	
Tooth gap of cutter blade	16mm	
Strokes	1,600/min	
Noise emission value LWA	100 dB(A)	
Hand / arm vibration a vhw	< 2.5 m /s ²	
Total Length	1.9m-2.5m (M1E-8ET-410)	
Length of cutter blade	M1E-8ET-460	460mm
Weight	M1E-8ET-460	4.5Kg

Product Identification:



CONTENTS:

1. Protect Cover
2. Cutter Blade
3. Protect Bar
4. Power Head
5. Adjust Button
6. Link Handle
7. Locking Knob
8. Former Pole
9. Locking Knob
10. Collet
11. Under Pole
12. Grip Area
13. Grip Area
14. Buckle
15. Switch Lockout
16. Trigger
17. Handle
18. Plug



Please read these operating instructions carefully and observe the notes given. Use these operating instructions to familiarise yourself with the pole hedge trimmer, its proper use and the notes on safety.



For safety reasons, children under the age of 16 and people not familiar with these operating instructions must not use this pole hedge trimmer. Persons with reduced physical or mental abilities may use the pole hedge trimmer only if they are supervised or instructed by a responsible person.

Please keep these operating instructions in a safe place.

Contents

1. WHERE TO USE YOUR ELECTRIC POLE HEDGE TRIMMER	2
2. SAFETY INSTRUCTIONS.....	2
3. Component Assembly	8
4. Operation	9
5. Maintenance	11
6. Storage	11

1. WHERE TO USE YOUR ELECTRIC POLE HEDGE TRIMMER

Correct Use:

This Electric Hedge Trimmer is intended for the cutting of hedges, shrubs and grass coverings in private domestic gardens and allotments.

Adherence to these operating instructions is a precondition for the correct use of the pole hedge trimmer. Please note



WARNING! Risk of injury!

The pole hedge trimmer must not be used for cutting lawns /lawn edges or for chopping up material for composting purposes.

2. SAFETY INSTRUCTIONS



If not used properly this product can be dangerous.

The warnings and safety instructions must be followed to ensure reasonable safety and efficiency in using this product.

The operator is responsible for following the warnings and instructions in this manual and on the product. Never use the product unless the guards provided by the manufacturer are in the correct position.

Explanation of Symbols on your product.



WARNING !



Read the user instructions carefully to make sure you understand all the controls and what they do.



Remove plug from the mains immediately if the cable is damaged or cut.



Do not expose to rain.

Do not leave the product outdoors while it is raining.



The use of eye protection is recommended.

General Power Tool Safety Warnings



WARNING! Read all safety warnings and all instructions.

Failure to follow the warnings and instructions may result in electric shock, fire and /or serious injury

Save all warnings and instructions for future reference.

The term “power tool” in the warnings refers to your mains operated (corded) power tool or battery operated (cordless) power tool.

1) Work area safety

a) Keep work area clean and well lit. Cluttered or dark areas invite accidents.

b) Do not operate power tools in explosive atmospheres, such as in the presence of flammable liquids, gases or dust. Power tools create sparks which may ignite the dust or fumes.

c) Keep children and bystanders away while operating a power tool. Distractions can cause you to lose control.

2) Electrical safety

a) Power tool plugs must match the outlet. Never modify the plug in any way. Do not use any adaptor plugs with earthed (grounded) power tools. Unmodified plugs and matching outlets will reduce risk of electric shock.

b) Avoid body contact with earthed or grounded surfaces, such as pipes, radiators, ranges and refrigerators. There is an increased risk of electric shock if your body is earthed or grounded.

c) Do not expose power tools to rain or wet conditions. Water entering a power tool will increase the risk electric shock.

d) Do not abuse the cord. Never use the cord for carrying, pulling or unplugging the power tool. Keep the cord away from heat, oil, sharp edges or moving parts. Damaged or entangled cords increase the risk of electric shock.

e) When operating a power tool outdoors, use an extension cord suitable for outdoor use. Use of a cord suitable for outdoor use reduces the risk of electric shock.

f) If operating a power tool in a damp location is unavoidable, use a residual current device (RCD) protected supply. Use of an RCD reduces the risk of electric shock.

3) Personal safety

a) Stay alert, watch what you are doing and use common sense when operating a power tool. Do not use a power tool while you are tired or under the influence of drugs, alcohol or medication. A moment of inattention while operating power tools may result in serious personal injury.

b) Use personal protective equipment. Always wear eye protection. Protective equipment such as dust mask, non-skid safety shoes, hard hat, or hearing protection used for appropriate conditions will reduce personal injuries.

c) Prevent unintentional starting. Ensure the switch is in the off-position before connecting to power source and /or battery pack, picking up or carrying the tool. Carrying power tools with your finger on the switch or power tools that have the switch on invites accidents.

d) Remove any adjusting key or wrench before turning the power tool on. A wrench or a key left attached to a rotating part of the power tools may result in personal injury.

e) Do not overreach. Keep proper footing and balance at all times. This enables better control of the power tool in unexpected situations.

f) Dress properly. Do not wear loose clothing or jewellery. Keep your hair, clothing and gloves away from moving parts. Loose clothes, jewellery or long hair can be caught in moving parts.

g) If devices are provided for the connection of dust extraction and collection facilities, ensure these are connected and properly used. Use of dust collection can reduce dust-related hazards.

4) Power tool use and care

a) Do not force the power tool. Use the correct power tool for your application. The correct power tool will do the job better and safer at the rate for which it was designed.

b) Do not use the power tool if the switch does not turn it on and off. Any power tool that cannot be controlled with the switch is dangerous and must be repaired.

c) Disconnect the plug from the power source and /or the battery pack from the power tool before making any adjustments, changing accessories, or storing power tools. Such preventive safety measures reduce the risk of starting the power tool accidentally.

d) Store idle power tools out of the reach of children and do not allow anyone unfamiliar with the power tool or these instructions to operate the power tool. Power tools are dangerous in the hands of untrained users.

e) Maintain power tools. Check for misalignment or binding of moving parts, breakage of parts and any other condition that may affect the power tool's operation. If damaged, have the power tool repaired before use. Many accidents are caused by poorly maintained power tools.

f) Keep cutting tools sharp and clean. Properly maintained cutting tools with sharp cutting edges are less likely to bind and are easier to control.

g) Use the power tool, accessories and tool bits etc. in accordance with these instructions, taking into account the working conditions and the work to be performed. Use of the power tool for operations different from those intended could result in a hazardous situation.

5. Service

Have your power tool serviced by a qualified repair person using only identical replacement parts. This will ensure that the safety of the power tool is maintained.

Pole hedge trimmer safety warnings:

- Keep all parts of the body away from the cutter blade. Do not remove cut material or hold material to be cut when blades are moving. Make sure the switch is off when clearing jammed material. A moment of inattention while operating the hedge trimmer may result in serious personal injury.
- Carry the pole hedge trimmer by the handle with the cutter blade stopped. When transporting or storing the pole hedge trimmer always fit the cutting device cover. Proper handling of the pole hedge trimmer will reduce possible personal injury from the cutter blades.
- Hold the power tool by insulated gripping surfaces only, because the cutter blade may contact hidden wiring or its own cord. Cutter blades contacting a “live” wire may make exposed metal parts of the power tool “live” and could give the operator an electric shock.
- Keep cable away from the cutting area. During operation the cable may be hidden in shrubs and can be accidentally cut by the blade.

Additional Safety Recommendations

Work area safety

Only use the product in the manner and for the functions described in these instructions. The operator or user is responsible for accidents or hazards occurring to other people or their property.

Electrical safety

The British Standards Institute recommend the use of a Residual Current Device (R.C.D.) with a tripping current of not more than 30mA. Check your R.C.D. every time you use it.

Before use, examine cable for damage, replace it if there are signs of damage or ageing.

Do not use the product if the electric cables are damaged or worn.

Immediately disconnect from the mains electricity supply if the cable is cut, or the insulation is damaged. Do not touch the electric cable until the electrical supply has been disconnected.

Your electric cable must be untangled, tangled cables can overheat and reduce the efficiency of your product.

Always switch off at the mains before disconnecting any plug, cable connector or extension cable.

Electric Pole Hedge Trimmer 10597 Instructions for Use

Please read and retain these instructions for future reference

v001: 01/11/16

Switch off, remove plug from mains and examine electric supply cable for damage or ageing before winding cable for storage. Do not repair a damaged cable, replace it with a new one.

Always wind cable carefully, avoiding kinking.

Use only on AC mains supply voltage shown on the product rating label.

Cables

Use only permitted extension cables as per HD 516. Ask your electrical specialist.

Personal safety

- Always wear suitable clothing, gloves, and stout shoes.
- Thoroughly inspect the area where the product is to be used and remove all wires and other foreign objects.
- All adjustments (turning the blade unit, inclining the blade head) have to be made with the sheath/protect cover in place, and the Hedge Trimmer must not rest on the blade in the process.
- Before using the machine and after any impact, check for signs of wear or damage and repair as necessary.
- Before using the pole hedge trimmer, always make sure that the hand guard provided is fitted.
- Never attempt to use an incomplete product or one with an unauthorised modification.

Power tool use and care

- Know how to stop the product quickly in an emergency.
- Never hold the product by the guard/protect cover.
- Do not use the Hedge Trimmer if the protection equipment (hand protection, 2-hand safety switch, protection cover, quick blade-stop) is damaged.
- Do not use ladders whilst operating the product.

Remove the plug from the mains:

- Before leaving the product unattended for any period;
- Before clearing a blockage;
- Before checking, cleaning or working on the appliance;
- If you hit an object. Do not use your product until you are sure that the entire product is in a safe operating condition;
- If the product starts to vibrate abnormally. Check immediately. Excessive vibration can cause injury.
- Before passing to another person.

Maintenance and storage



RISK OF INJURY !

Do not touch blades.

When finishing or interrupting work, push up protection cover.

Keep all nuts, bolts and screws secure to be sure the pole hedge trimmer is in safe working condition.

3. Component Assembly

1. Loosen and remove the locking knob from the link handle (see Figure 1);

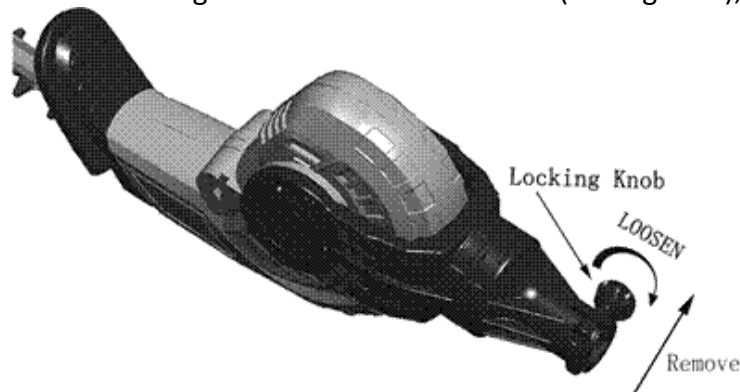


Figure 1

2. Insert the rear handle into the front part in direction A (see Figure 2). Make sure that the slot 1 (slot 1 on former pole) is in place 2 (hole 2 in link handle).

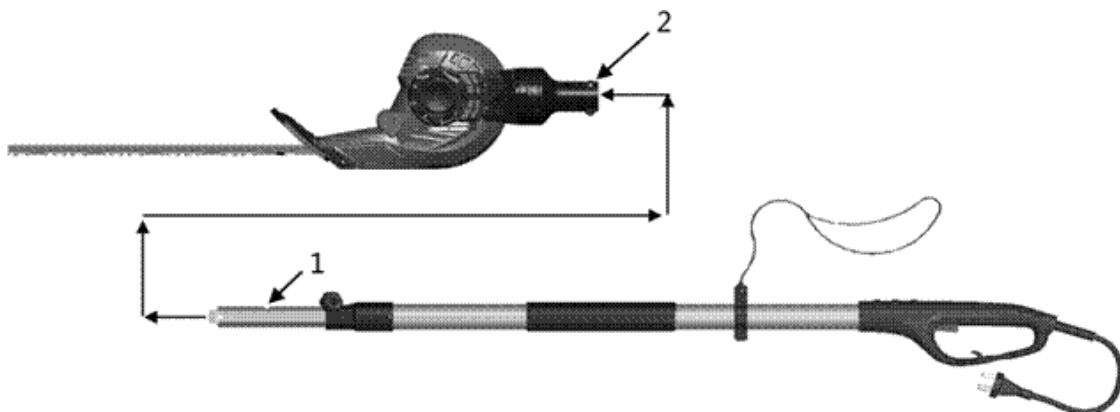


Figure 2

1. Insert the locking knob into the screw hole (see Figure 3), then tighten locking knob screw firmly. Make sure that connection is tight.

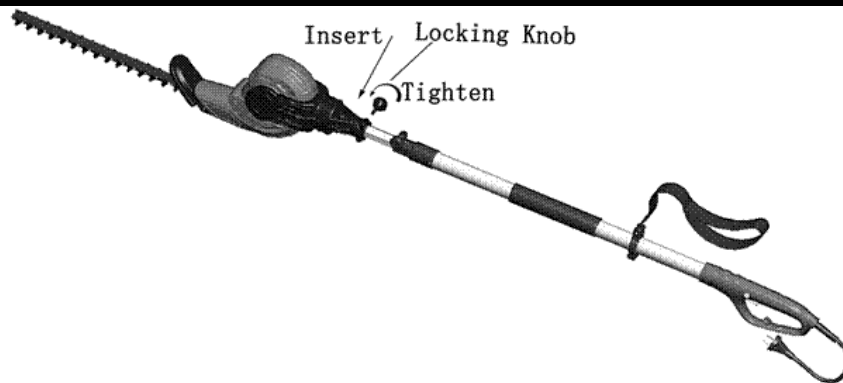


Figure 3

4. Operation

Adjusting Power Head Angle:

1. The angle of power head can be set to 8 different working positions.
2. Push the Adjust button (there is a "PUSH" on it) with one hand and turn round the power head to suitable position.

The Adjust button can lock the handle automatically (see Figure 4),

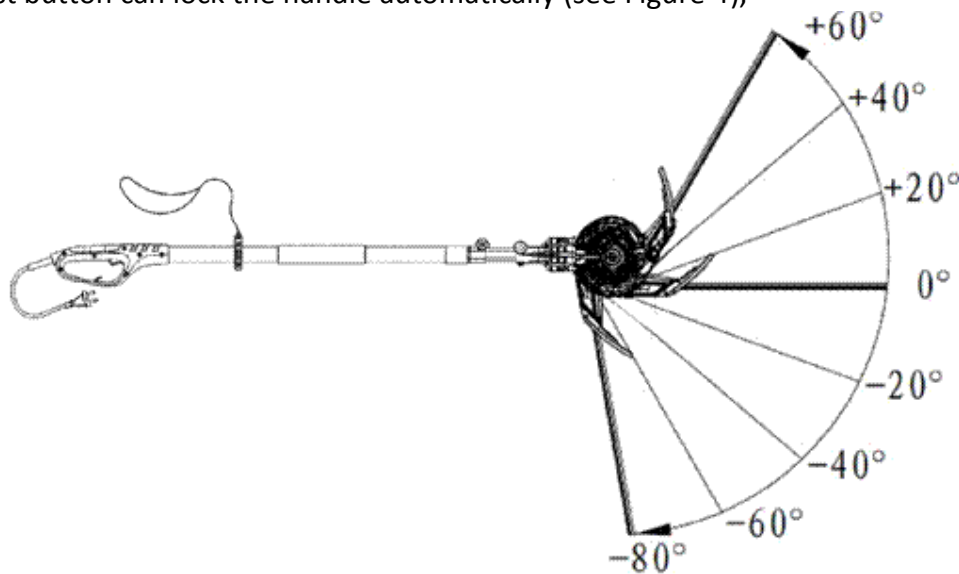


Figure 4

Adjusting Pole Length

The Pole Trimmer has a telescopic pole assembly that will extend from 1.85 metres (fully retracted) to 2.45 metres (fully extended). The collet with a locking knob is used to hold the pole in position at any extended length.

1. To extend the pole, loosen the locking knob (see Figure 5). Pole will slide freely.
2. Pull former pole section out to desired length of extension. Note: Only extend pole to minimum length required to reach limb that is being cut.
3. To lock pole in position, tighten locking knob (see Figure 5).

Electric Pole Hedge Trimmer 10597 Instructions for Use

Please read and retain these instructions for future reference

v001: 01/11/16

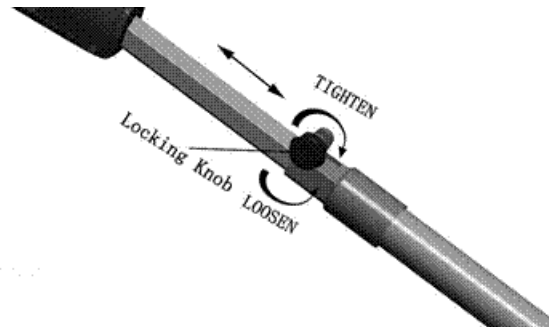


Figure 5

Starting the Pole Hedge Trimmer:

1. Remove the protective cover from blade (See Figure 6) .
2. Adjust the power head and the pole length to suitable position.
3. Connect power cord to power supply.
4. Use both hands to grip. Use designated grip areas and strap when operating pole saw. (See Figure 7) Use firm grip. Thumbs and fingers must wrap around pole saw handle and pole.
5. Make sure your footing is firm. Keep feet apart. Divide your weight evenly on both feet.

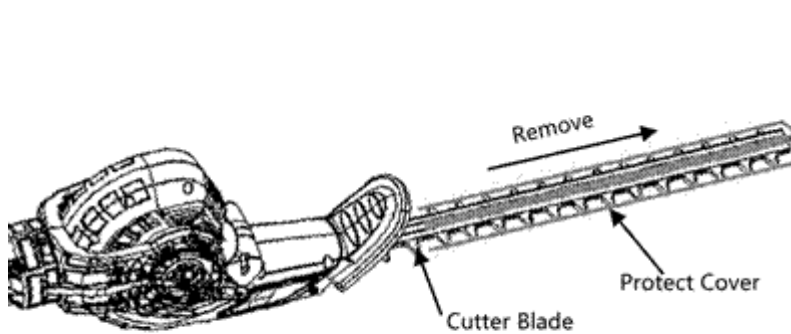


Figure 6

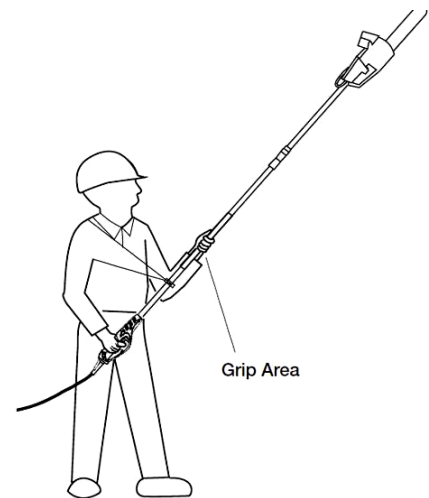


Figure 7

6. When ready to make a cut, press in trigger lockout and squeeze trigger (See Figure 8). This will turn pole trimmer on. Releasing trigger will turn pole trimmer off. Make sure trimmer is running before starting a cut.

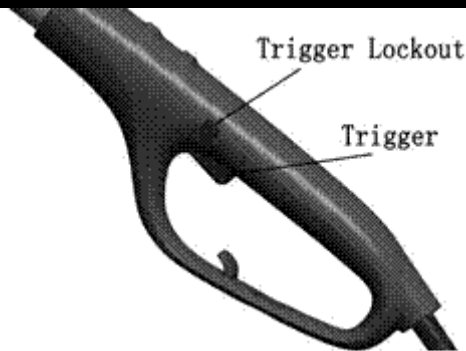


Figure 8

7. When starting a cut, place moving trimmer against branch. Hold pole trimmer firmly in place .
8. Remove pole trimmer from a cut with running at full speed. Stop pole saw by releasing trigger. Make sure the trimmer has stopped before setting pole trimmer down.

5. Maintenance

Cleaning the Hedge Trimmer:



DANGER ! Risk of physical injury / electric shock!

Always unplug the power plug and slide the protective cover over the cutter blade before carrying out maintenance work.

Do not clean the pole hedge trimmer under running water (especially high pressure).

1. Clean the pole hedge trimmer with a damp cloth.
2. Lubricate the cutter blade with a low viscosity oil. Avoid contact with the plastic parts.

6. Storage

The pole hedge trimmer must be stored out of the reach of children.

1. Disconnect the power plug.
2. Clean the pole hedge trimmer (see 5. Maintenance) and slide the protective cover over the cutter blade.
3. Store the pole hedge trimmer in a dry, frost free place.

WARNING

WHEN USING ELECTRICAL APPLIANCES, BASIC SAFETY PRECAUTIONS SHOULD ALWAYS BE FOLLOWED:

- READ ALL INSTRUCTIONS BEFORE USE.
- FOR ADULT USE ONLY.
- KEEP THE APPLIANCE AWAY FROM CHILDREN.
- CHECK THE APPLIANCE AND POWER CABLE CAREFULLY FOR DAMAGE BEFORE EACH USE.
- BEFORE CONNECTING THE APPLIANCE, CHECK IF THE VOLTAGE INDICATED ON THE BOTTOM OF THE APPLIANCE IS IN ACCORDANCE WITH THE MAINS VOLTAGE IN YOUR HOME.

Electric Pole Hedge Trimmer 10597 Instructions for Use

Please read and retain these instructions for future reference

v001: 01/11/16

- TO PROTECT AGAINST ELECTRIC SHOCK, DO NOT IMMERSE CORD, PLUG OR APPLIANCE IN WATER OR ANY OTHER LIQUID.
- UNPLUG FROM OUTLET WHEN NOT IN USE AND BEFORE CLEANING.
- THE USE OF ANY ACCESSORY ATTACHMENTS NOT RECOMMENDED BY COOPERS OF STORTFORD MAY CAUSE INJURIES AND INVALIDATE ANY WARRANTY YOU MAY HAVE.
- **DO NOT** COVER THE ITEM IN ANY WAY WHEN IN USE AS THIS MAY CAUSE OVERHEATING.
- DO NOT OPERATE ANY APPLIANCE WITH A DAMAGED CORD OR PLUG OR AFTER THE APPLIANCE MALFUNCTIONS, OR HAS BEEN DAMAGED IN ANY MANNER. WE RECOMMEND THAT THE POWER CORD IS NOT KINKED OR STORED IN A TWISTED MANNER, AND THAT YOU REGULARLY CHECK ITS CONDITION.
- TO BE REPAIRED BY A QUALIFIED ELECTRICIAN OR TO BE REPLACED BY THE MANUFACTURER, SERVICE AGENT OR SIMILARLY QUALIFIED PERSON, IN ORDER TO AVOID A HAZARD.

PLUG WIRING (UK & IRELAND)

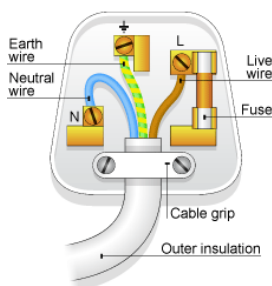
This appliance is fitted with a BS 1363 13-amp plug. If you have to replace the fuse, only those that are ASTA or BSI approved to BS1362 and with a rated current of 13-amperes should be used. If there is a fuse cover fitted, this cover must be re-fitted after changing the fuse. If the fuse cover is lost or damaged the plug must not be used. Spare fuse holders and fuses are available from electrical outlets. If the socket outlets in your home or office are not suitable for this product's plug, the plug must be removed and disposed of safely. Attempts to insert the plug into the wrong socket is likely to cause electric hazard. A replacement plug should be wired according to the following instructions:

The cable

A mains electricity cable contains two or three inner wires. Each has a core of copper and an outer layer of flexible plastic. This product is double insulated; the wires in the cord set are colour coded in the following way:

BLUE	NEUTRAL
BROWN	LIVE
GREEN & YELLOW	EARTH

The diagram below shows the key features of a correctly wired three-pin mains plug.



Disposal

- Dispose of all packaging, paper, cartons and plastic, plastic bags in accordance with your local recycling regulations.
- At the end of the product's lifespan please dispose of it at an authorised household WEEE waste recycling centre.

