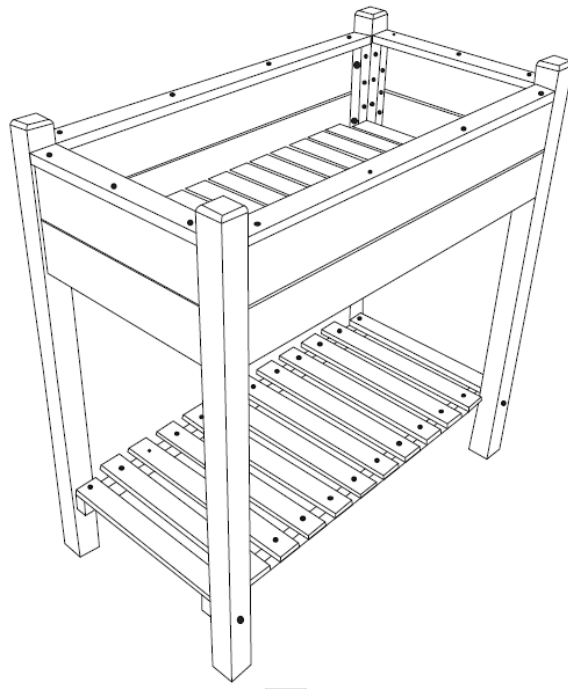


Wooden Raised Planter 10606





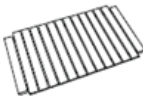
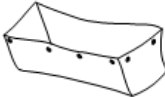




Instructions for Use

Please read and retain these instructions for future reference

v001: 18/10/16



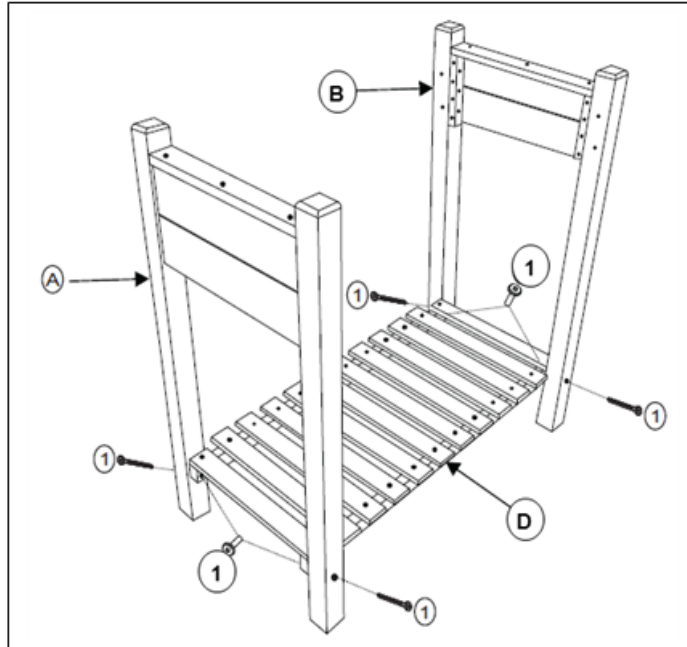
Parts List:

- | | | | | | |
|----|---|----------------------|----|--|---------------|
| A. |  | Left panel x1 | 1. |  | Bolt x4 |
| B. |  | Right panel x1 | 2. |  | Wood Screw x8 |
| C. |  | Bottom of planter x1 | 3. |  | Liner x1 |
| D. |  | Rack panel x1 | 4. |  | Allen key x2 |
| E. |  | Front panel x1 | | | |
| F. |  | Back panel x1 | | | |

Assembly Instructions:

Step 1

Attach the rack panel (D) to the left panel (A) and the right panel (B), using Bolts (1).



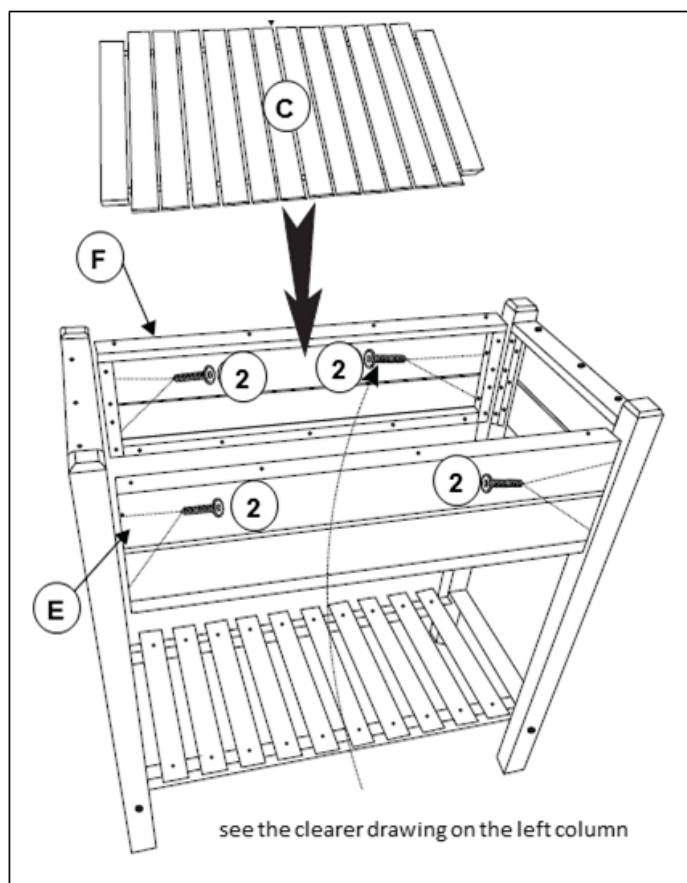
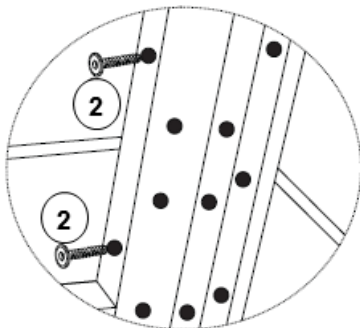
Step 2

Attach the front panel (E) and the back panel (F), using Wood screw (2).

Put the bottom of planter (C) inside.

Ensure all bolts & screws are tightened before placing the raised planter in an upright position.

Put the planter liner (3) inside.



CLEANING INSTRUCTIONS:

- **Wipe over with a soft brush.**

DISPOSAL:

- **Dispose of all packaging, paper, cartons and plastic, plastic bags in accordance with your local recycling regulations.**
- **At the end of the product's lifespan please dispose of it at an authorised household waste recycling centre.**