

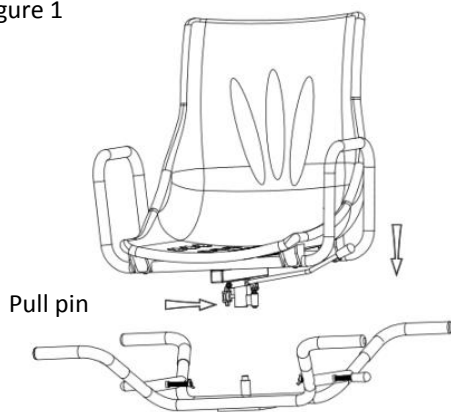


## TECHNICAL SPECIFICATION:

Max loading: 100Kg

## INSTALLATION INSTRUCTIONS:

Figure 1



Insert seat on frame following direction as shown in Figure 1, fix seat and frame on the edge of the bath tub. Pull pin must be put in position hole to lock seat in position.

The seat can be swivelled in directions of the arrows as shown in Figure 4. Release pull pin (Figure 2), then lift up the adjustment handle, to swivel.

Figure 2

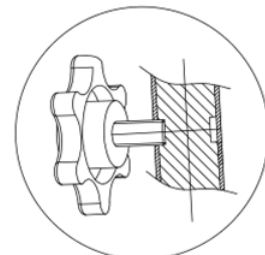
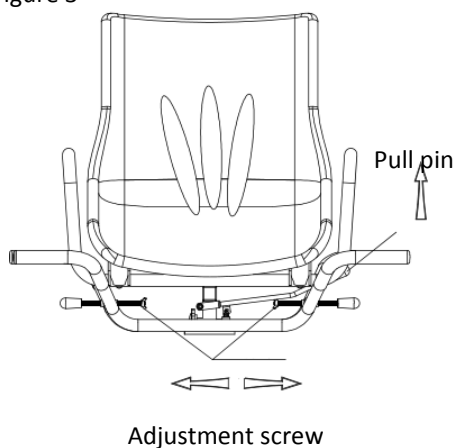


Figure 3



Adjust the adjustment screw as shown in the arrow direction and fix it on the bath tub before use.

Figure 4



## WARNINGS / CAUTIONS:

- Before use, check the tightness of the screw and the stability of the frame. The weight of the user should not exceed the rated weight of 100kg.
- Check anti-slip rubber sleeve regularly. Please replace if worn.
- Ensure that the bath chair is only used when dry to reduce the risk of slipping.
- This is not a toy, ensure that children are supervised at all times.

## CLEANING INSTRUCTIONS:

- Regularly clean by wiping with a dry or slightly damp cloth. Regularly disinfect bath chair.
- Store in a dry and ventilated environment.

## DISPOSAL:

- Dispose of all packaging, paper, cartons and plastic, plastic bags in accordance with your local recycling regulations.
- At the end of the product's lifespan please dispose of it at an authorised household waste recycling centre.

