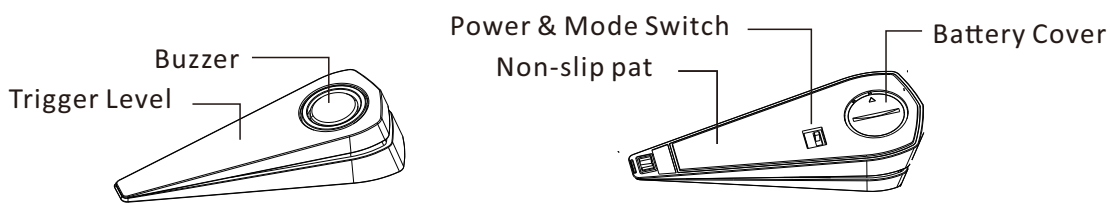
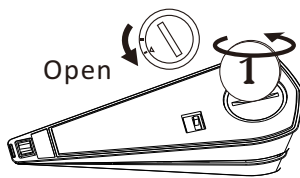


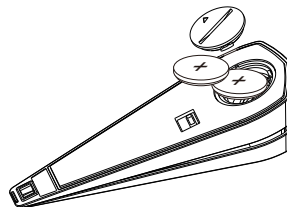
Parts & Function



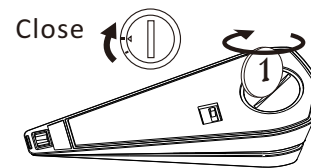
Battery Installation



Open the battery cover using a coin

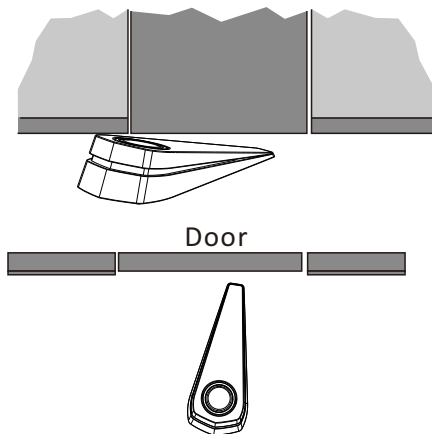


Insert 2 CR2032 batteries (included)

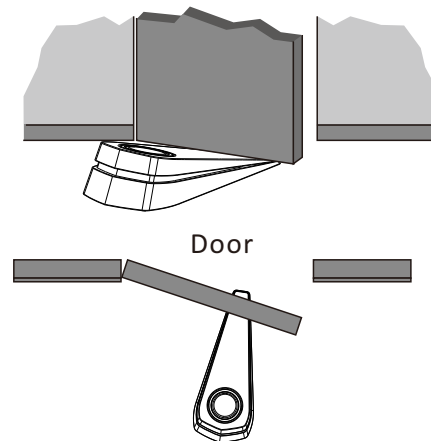


Close the battery cover

Operation



Put the door stop behind the door.



When the door opens, the alarm will be triggered

MODE

• Level hold mode (Mode 1):

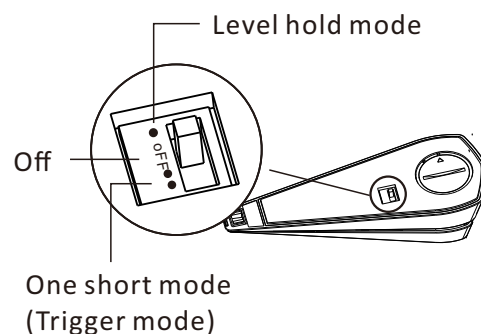
The alarm sounds only when the door opens and contacts the door stopper alarm top surface. The alarm will stop once the door is moved away and there is no contact with the door stopper alarm.

OFF Mode:

Power off.

• • One short mode (Mode 2):

The alarm is triggered when the door contacts the door stopper alarm top surface. The alarm can only be stopped by switching off the unit.



BATTERIES

- Keep batteries away from children and pets.
- Do not mix used and new batteries.
- Remove the batteries if left for long periods.
- Never dispose of batteries in a fire.
- Battery disposal, spent or expired batteries must be properly disposed of and recycled in compliance with local regulations. For detailed information, contact your local authority.
- Follow the battery manufacturer's safety, usage, and disposal instructions.

DISPOSAL

- Dispose of all packaging, paper, cartons and plastic, plastic bags in accordance with your local recycling regulations.
- At the end of the product's lifespan please dispose of it at an authorised household waste recycling centre.

