

This product is only suitable for well insulated spaces or occasional use.



### Technical Data:

Model	Item No.	Voltage	Frequency	Output (W)	Protection Class
OPA-60	10818	AC 230V	50/60Hz	600W	I

**Accessories:** Standing feet with wheels, screws

Please read this instruction manual thoroughly before starting and ensure you are familiar with the operation of your new oil panel heater

### LIST OF MAIN PARTS



- 1. Housing
- 2. Operation board
- 3. Thermostat
- 4. On/Off switch
- 5. Wheel

Fig.1

### OPERATION: The product with only one power level

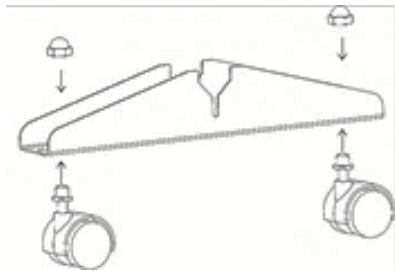
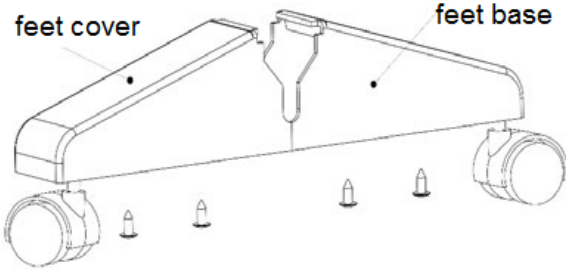
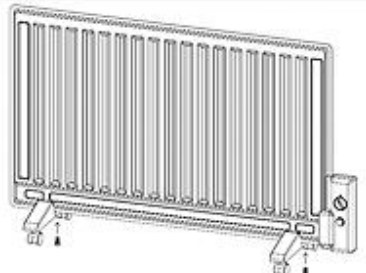
- On/Off switch function:**  
 Connect the plug to the mains socket and switch ON. Press the On/Off switch to the down position, then the power is switched on, the product is on stand-by. To switch off the power, press the On/Off switch to the up status.
- Thermostat control:**  
 After switching on the power, turn the thermostat clockwise until you hear a click and set to the "MAX" position or desired temperature, to let the room temperature arrive at your requirement. The thermostat will switch the heater on and off automatically, to maintain the room temperature at an almost constant level.  
 Turning the thermostat to the OFF position, you will hear a click as it switches OFF. Ensure the thermostat is turned fully to the OFF position and switch the power switch OFF when not in use.

### ASSEMBLY:

#### Free Standing installation

Take the unit from packing. Please check all the needed accessories are included, which are:

Part	Quantity
Feet base	2
Feet cover	4
Wheels	4
Feet base and feet cover fixing screws M4x8	8
Feet and body fixing screws M6x10	2

	
<p>1. Assemble the wheels to the feet base.</p>	<p>2. Assemble the feet cover to the base with M4*8 screws.</p>
	

3. Assemble the feet to the heating body with M6\*10 screws.

**WARNINGS:**

When using electrical appliances, basic safety precautions should always be followed:

- READ ALL INSTRUCTIONS BEFORE USE.
- TO PROTECT AGAINST ELECTRIC SHOCK, DO NOT IMMERSE CORD OR PLUG IN WATER OR ANY OTHER LIQUID.
- UNPLUG FROM OUTLET WHEN NOT IN USE AND BEFORE CLEANING. ALLOW THE ITEM TO COOL THOROUGHLY BEFORE PUTTING ON OR TAKING OFF PARTS.
- DO NOT OPERATE AN APPLIANCE WITH A DAMAGED CORD OR PLUG OR AFTER THE APPLIANCE MALFUNCTIONS, OR HAS BEEN DAMAGED IN ANY MANNER. WE RECOMMEND THAT THE POWER CORD IS NOT KINKED OR STORED IN A TWISTED MANNER, AND THAT YOU REGULARLY CHECK ITS CONDITION.
- THE USE OF ACCESSORY ATTACHMENTS NOT RECOMMENDED BY COOPERS OF STORTFORD MAY CAUSE INJURIES AND INVALIDATE ANY WARRANTY YOU MAY HAVE.
- DO NOT USE OUTDOORS.
- DO NOT PLACE ON OR NEAR HEAT SOURCES, AND USE THE OIL PANEL HEATER ON A LEVEL, STABLE SURFACE.
- NEVER COVER THE ITEM IN ANY WAY WHEN IN USE, APART FROM THE CONTENTS INCLUDED WITH THIS PRODUCT.
- DO NOT PLACE UNDER OR NEAR FLAMMABLE MATERIALS SUCH AS CURTAINS, DRAPERIES, SHELVES, LOOSE WALL PAPER ETC.
- DO NOT USE THIS APPLIANCE FOR ANY OTHER USE THAN THE INTENDED USE IT IS DESIGNED FOR.
- BEFORE USE, CHECK THOROUGHLY FOR ANY DEFECTS AND DO NOT USE IF DEFECTS ARE FOUND. TAKE CARE NOT TO DROP THE APPLIANCE AS HEAVY IMPACTS MAY CAUSE INTERNAL DAMAGE.
- CHECK THE APPLIANCE AND POWER CABLE CAREFULLY FOR DAMAGE BEFORE EACH USE.
- BEFORE CONNECTING THE APPLIANCE, CHECK IF THE VOLTAGE INDICATED ON THE BOTTOM OF THE APPLIANCE IS IN ACCORDANCE WITH THE MAIN VOLTAGE IN YOUR HOME.
- THIS APPLIANCE CAN BE USED BY CHILDREN AGED FROM 8 YEARS AND ABOVE AND PERSONS WITH REDUCED PHYSICAL, SENSORY OR MENTAL CAPABILITIES OR LACK OF EXPERIENCE AND KNOWLEDGE IF THEY HAVE BEEN GIVEN SUPERVISION OR INSTRUCTION CONCERNING USE OF THE APPLIANCE IN A SAFE WAY AND UNDERSTAND THE HAZARDS INVOLVED. CHILDREN SHALL NOT PLAY WITH THE APPLIANCE. CLEANING AND USER MAINTENANCE SHALL NOT BE MADE BY CHILDREN WITHOUT SUPERVISION.
- **SOME PARTS OF THIS PRODUCT CAN BECOME VERY HOT AND CAUSE BURNS. PARTICULAR ATTENTION HAS TO BE GIVEN WHERE CHILDREN AND VULNERABLE PEOPLE ARE PRESENT.**
- CHILDREN OF LESS THAN 3 YEARS SHOULD BE KEPT AWAY UNLESS CONTINUOUSLY SUPERVISED.
- DO NOT PLACE THIS ITEM IMMEDIATELY BELOW A SOCKET-OUTLET.
- KEEP ITEM AT LEAST 1M AWAY FROM COMBUSTIBLE MATERIAL SUCH AS FURNITURE, CUSHIONS, BEDDING, PAPER, CLOTHES, CURTAINS ETC.
- DO NOT USE IF THE POWER CORD OR PLUG IS DAMAGED. TO BE REPAIRED BY A QUALIFIED ELECTRICIAN OR TO BE REPLACED BY THE MANUFACTURER, SERVICE AGENT OR SIMILARLY QUALIFIED PERSON, IN ORDER TO AVOID A HAZARD.

**Heating Technical Data:**

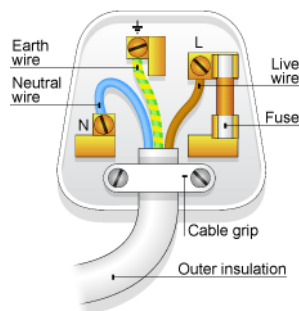
Model:	OPA-60
<b>Heat output</b>	
Nominal heat output P <sub>nom</sub>	0.6 KW
Minimum heat output (indicative) P <sub>min</sub>	0.6 KW
Maximum continuous heat output P <sub>max,c</sub>	0.6 KW
<b>Auxiliary electricity consumption</b>	
At nominal heat output e <sub>lmax</sub>	N/A
At minimum heat output e <sub>lmin</sub>	N/A
In standby mode e <sub>lSB</sub>	N/A
<b>Type of heat input, for electric storage local space heaters only</b>	
Manual heat charge control, with integrated thermostat	No
Manual heat charge control with room and/or outdoor temperature feedback	No
Electronic heat charge control with room and/or outdoor temperature feedback	No
Fan assisted heat output	No
<b>Type of heat output/room temperature control</b>	
single stage heat output and no room temperature control	No
Two or more manual stages, no room temperature control	No
with mechanic thermostat room temperature control	Yes
with electronic room temperature control	No
electronic room temperature control plus day timer	No
electronic room temperature control plus week timer	No
<b>Other control options (multiple selections possible)</b>	
room temperature control, with presence detection	No
room temperature control, with open window detection	No
with distance control option	No
with adaptive start control	No
with working time limitation	No
with black bulb sensor	No
Contact details	COOPERS OF STORTFORD  11 BRIDGE STREET, BISHOP STORTFORD HERTFORDSHIRE, CM23 2JU, UK

**PLUG WIRING (UK & IRELAND)**

This appliance is fitted with a BS 1363 13-amp plug. If you have to replace the fuse, only those that are ASTA or BSI approved to BS1362 and with a rated current of 13-amps should be used. If there is a fuse cover fitted, this cover must be re-fitted after changing the fuse. If the fuse cover is lost or damaged the plug must not be used. Spare fuse holders and fuses are available from electrical outlets. If the socket outlets in your home or office are not suitable for the plug of this product, the plug must be removed and disposed of safely as insertion of the plug into a socket is likely to cause electric hazard. A replacement plug should be wired according to the following instructions:

**The cable**

A mains electricity cable contains two or three inner wires. Each has a core of copper and an outer layer of flexible plastic. This product is earthed; the wires in the cord set are colour coded in the following way:



BLUE	NEUTRAL
BROWN	LIVE
GREEN & YELLOW	EARTH

The diagram below shows the key features of a correctly wired three-pin mains plug.

**CARE AND CLEANING INSTRUCTIONS**

- Always switch off and unplug before cleaning.
- Do NOT immerse in water. Risk of electric shock.
- Do NOT use abrasive cleaners or sharp utensils to clean the oven.
- Wipe surfaces and heating elements with a soft dry cloth.
- Allow to dry thoroughly before further use.
- Store the unit in a cool, dry place.

**DISPOSAL:**

- Dispose of all packaging, paper, cartons and plastic, plastic bags in accordance with your local recycling regulations.
- At the end of the product's lifespan please dispose of it at an authorised household WEEE waste recycling centre.

