

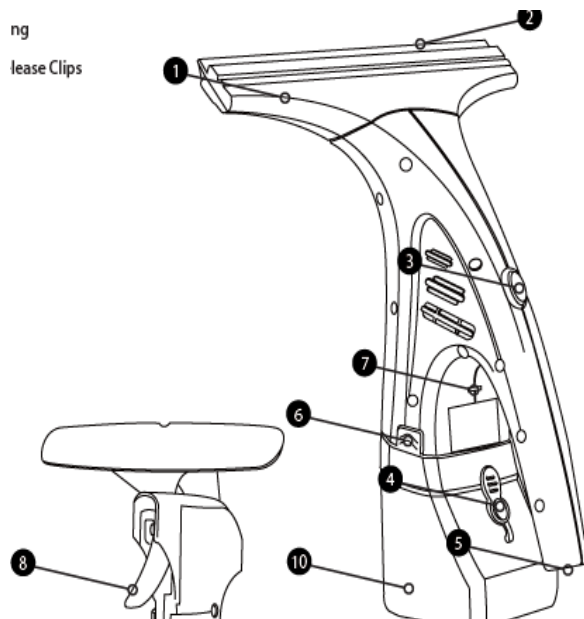


**Power details:** Voltage details: 220 – 240v  
Frequency details: 50/60HZ  
Wattage details: 12W  
Battery type: Li-Ion 1300mA

Accessories: Spray bottle with microfibre

Use: This item can be safely used by one hand.

Spray bottle with microfibre scrubber cloth



ng  
lease Clips

**Specification:**

1. Squeegee Attachment
2. Replaceable Rubber Blade
3. ON/OFF Button
4. Water Collection Tank Bung
5. Charge Port
6. Water Collection Tank Release Clips
7. Indicator Light
8. Spray Bottle with Tube
9. Cloth Pad
10. Water Collection Tank



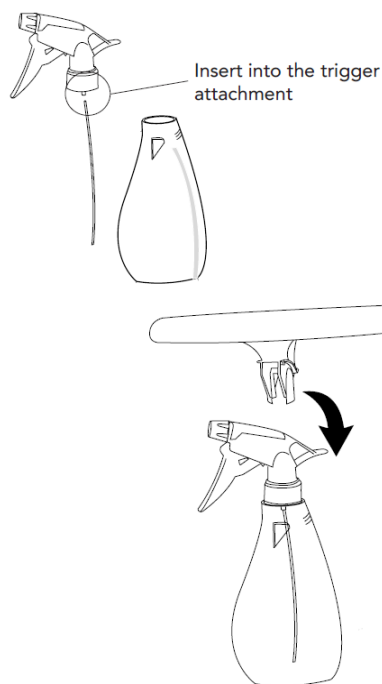
## User Instructions:

### Charging:

Caution: Before charging, ensure the Window Vacuum is dry and free of water.

- Insert the Charger Cable into a suitable outlet then into the Charge Port (5).
- The Indicator Light (7) will flash red to indicate that the Window Vacuum is charging.
- Once charged, the Indicator Light will stop flashing and become constant. The window Vacuum is now ready to use (the Indicator Light will remain red during use).

**IMPORTANT:** Ensure you charge the Window Vacuum after every use to obtain maximum results each time.



### Bottle assembly:

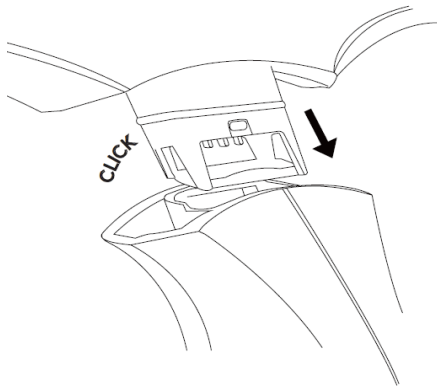
- Before use the Spray Bottle (8) will require some assembly.
- Locate the small plastic tube and insert into the Spray Bottle's lid (as shown) before reassembling.
- Fill the Spray Bottle with your desired cleaning fluid and replace the top securely. Clip on the appropriate Cloth Pad (9) depending on the task at hand.

**WARNING!** DO NOT use foaming solutions in the Spray Bottle as this will cause damage to the motor of the Water Vacuum.

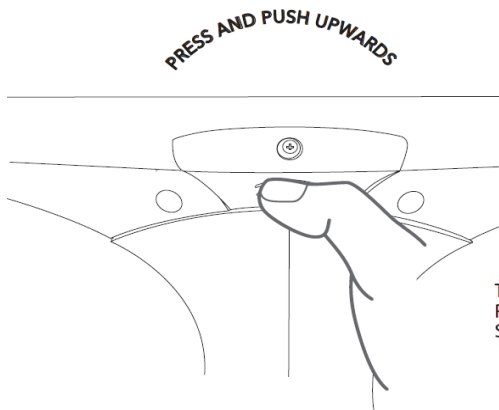
### Attachment assembly:

Take the Squeegee Attachment (1) and insert into the top of the base of the Window Vacuum until it clicks into place.

**NOTE:** Ensure that the attachment is correctly in place. If unsure, remove and insert as shown.



To remove the Squeegee Attachment, press the Release Clip and push upwards, then pull the Squeegee Attachment away from the main unit.



### **Operation:**

#### **Using the spray bottle:**

Spray the area to be cleaned with the prepared solution in the Spray Bottle and wipe to loosen the debris and dirt.

**IMPORTANT:** Do not over-saturate the area as this could cause spills.

#### **Using the window Vacuum:**

Once the area is sprayed sufficiently, take the Window Vacuum and switch on using the ON/OFF button (3).

Starting from the top of the surface, slowly drag the Window Vacuum downwards in vertical direction.

For best results, always keep the Window Vacuum upright during use to help maximise the collection of water and avoid spills.

When the battery is low, the Indicator Light will start to flash and the Window Vacuum will require charging.

For efficiency, we advise that the Water Collection Tank (10) be emptied as often as possible to collect the optimum amount of water.

When emptying the Water Collection Tank, power off the Window Vacuum and press the Water Tank Release Clips (6) to empty the collected water.

**WARNING!** Never operate the Window Vacuum without the Water Collection Tank in place as this may damage the product.

#### **Changing the Rubber blade:**

When changing the Replaceable Rubber Blade (2), simply pull the Blade from either side to remove. To replace with new Rubber Blade, align the eyelet up with the thicker rounded edge of the Rubber Blade.

#### **WARNINGS AND SAFETY INSTRUCTIONS:**

WHEN USING ELECTRICAL APPLIANCES, BASIC SAFETY PRECAUTIONS SHOULD ALWAYS BE FOLLOWED:

- READ ALL INSTRUCTIONS BEFORE USE.
- FOR DOMESTIC INDOOR USE ONLY.
- DO NOT USE OUTDOORS OR FOR COMMERCIAL USE.
- ONLY USE WITH THE MAINS ADAPTOR/CHARGER SUPPLIED.
- **DO NOT** USE ANY OTHER MAINS ADAPTOR/CHARGER AS THIS MAY CAUSE DAMAGE AND INVALIDATES ANY WARRANTY YOU MAY HAVE.
- BEFORE USE, CHECK THOROUGHLY FOR ANY DEFECTS AND DO NOT USE IF DEFECTS ARE FOUND. TAKE CARE NOT TO DROP THE APPLIANCE AS HEAVY IMPACTS MAY CAUSE INTERNAL DAMAGE.
- BEFORE CONNECTING THE APPLIANCE, CHECK IF THE VOLTAGE INDICATED ON THE BOTTOM OF THE APPLIANCE IS IN ACCORDANCE WITH THE MAINS VOLTAGE IN YOUR HOME.
- CHECK THE APPLIANCE AND POWER CABLE CAREFULLY FOR DAMAGE BEFORE EACH USE.
- THIS APPLIANCE CAN BE USED BY CHILDREN AGED FROM 8 YEARS AND ABOVE, AND PERSONS WITH REDUCED PHYSICAL, SENSORY OR MENTAL CAPABILITIES OR LACK OF EXPERIENCE AND KNOWLEDGE IF THEY HAVE BEEN GIVEN SUPERVISION OR INSTRUCTION CONCERNING USE OF THE APPLIANCE IN A SAFE WAY AND UNDERSTAND THE HAZARDS INVOLVED. CHILDREN SHALL NOT PLAY WITH THE APPLIANCE. CLEANING AND USER MAINTENANCE SHALL NOT BE MADE BY CHILDREN WITHOUT SUPERVISION.
- CHILDREN OF LESS THAN 3 YEARS SHOULD BE KEPT AWAY UNLESS CONTINUOUSLY SUPERVISED.
- THE USE OF ANY ACCESSORY OR ATTACHMENTS NOT RECOMMENDED BY COOPERS OF STORTFORD MAY CAUSE INJURIES AND INVALIDATE ANY WARRANTY YOU MAY HAVE.
- DO NOT LET THE POWER CABLE HANG OVER THE EDGE OF A TABLE OR COUNTER, OR TOUCH HOT SURFACES.
- DO NOT PLACE ON OR NEAR HEAT SOURCES.
- USE ON A LEVEL, STABLE SURFACE.
- DO NOT COVER THE ITEM IN ANY WAY WHEN IN USE AS THIS MAY CAUSE OVERHEATING.
- DO NOT USE THIS APPLIANCE FOR ANY OTHER USE THAN THE INTENDED USE IT IS DESIGNED FOR.
- ENSURE THERE IS SUFFICIENT DISTANCE BETWEEN THIS APPLIANCE AND OTHER ITEMS ON THE WORK SURFACE OR WORKSTATION, OR SUFFICIENT DISTANCE BETWEEN THE APPLIANCE

AND THE CONFINES OF THE AREA IN WHICH IT IS SITUATED. WE RECOMMEND A MINIMUM CLEARANCE AROUND ALL FACES OF AT LEAST 10CM.

- KEEP ITEM AT LEAST 1M AWAY FROM COMBUSTIBLE MATERIAL SUCH AS FURNITURE, CUSHIONS, BEDDING, PAPER, CLOTHES, CURTAINS ETC.
- TO PROTECT AGAINST ELECTRIC SHOCK, DO NOT IMMERSE POWER CABLE, MAINS ADAPTOR OR APPLIANCE, IN WATER OR ANY OTHER LIQUID.
- UNPLUG FROM OUTLET WHEN NOT IN USE AND BEFORE CLEANING.
- DO NOT OPERATE ANY APPLIANCE WITH A DAMAGED POWER CABLE OR MAINS ADAPTOR OR AFTER THE APPLIANCE MALFUNCTIONS OR HAS BEEN DAMAGED IN ANY MANNER. WE RECOMMEND THAT THE POWER CABLE IS NOT KINKED OR STORED IN A TWISTED MANNER, AND THAT YOU REGULARLY CHECK ITS CONDITION.
- DO NOT LEAVE UNATTENDED.
- ALWAYS SWITCH OFF AFTER COOKING OR IF YOU HAVE TO LEAVE THE ROOM.
- THE USE OF OVEN GLOVES IS RECOMMENDED WHEN HANDLING HOT FOOD OR HOT APPLIANCES.
- ALLOW TO COOL BEFORE CARRYING OR PLACING IN STORAGE.
- ANY REPAIRS MUST BE CONDUCTED BY A QUALIFIED ELECTRICIAN OR ELECTRICAL SERVICE AGENT.

#### **PLUG WIRING (UK & IRELAND)**

This appliance is supplied with a mains adaptor with BS1363 plug pins.

**DO NOT** use if the socket outlets in your home or office are not suitable for this product's mains adaptor plug pins. Attempts to insert the mains adaptor into the wrong socket is likely to cause electric hazard or damage.

**DO NOT** use with any other mains adaptor than the one that is supplied with this product.

#### **CARE AND CLEANING INSTRUCTIONS**

- Turn off the Window Vacuum
- Release the Squeegee Attachment (1) using the Release Button.
- Clean the Squeegee Attachment under warm running water.
- **WARNING!** The Squeegee Attachment is NOT dishwasher safe.
- Remove the Water Collection Tank (10) by pressing the Release Clips (6) and rinse out, taking care not to misplace the rubber seal from the Water Collection Tank.
- Wash the micro -fibre Cloth Pad (9) in a washing machine but **DO NOT** use fabric softer.
- **CAUTION:** Always allow the Window Vacuum to dry before commencing charging.
- Always switch off and unplug before cleaning.
- Do NOT immerse in water. Risk of electric shock.
- Do NOT use abrasive cleaners or sharp utensils to clean this appliance.
- Wipe surfaces with a soft dry cloth.
- Allow to dry thoroughly before further use.
- Store the appliance in a cool, dry place.

#### **Troubleshooting:**

**WINDOW VACUUM DOES NOT POWER ON**– Ensure the battery is fully charged.

**WINDOW VACUUM LEAKS** – Always ensure you hold the Window Vacuum upright when in use. Ensure the rubber seal is in place after emptying the Water Collection Tank.

**POOR VACUUM PERFORMANCE**- Ensure the Squeegee Attachment has been cleaned after each use.

Empty the Water Collection Tank. Recharge the battery.

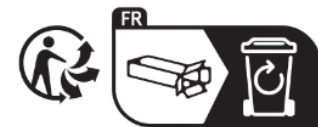
SPRAY BOTTLE IS NOT WORKING- Ensure the tube has been attached to the Spray Bottle. Check for blockages on the Spray Bottle nozzle or tube. Ensure there is sufficient water in the Spray Bottle.

**BATTERIES**

- Keep batteries away from children and pets.
- Do not mix used and new batteries.
- Install batteries in accordance with its polarity symbols.
- Remove the batteries if left for long periods.
- Never dispose of batteries in a fire.
- Battery disposal, spent or expired batteries must be properly disposed of and recycled in compliance with local regulations. For detailed information, contact your local authority.
- Follow the battery manufacturer’s safety, usage, and disposal instruction.

**DISPOSAL**

- Coopers of Stortford use recyclable or recycled packaging where possible.
- Please dispose of all packaging, paper, cartons in accordance with your local authority recycling regulations.
- At the end of the product’s lifespan please check with your local council authorised household waste recycling centre for disposal.
- Plastics, polybags – this is made from the following recyclable plastic.



Points de collecte sur [www.quefairedemesdechets.fr](http://www.quefairedemesdechets.fr)  
Privilégiez la réparation ou le don de votre appareil !

|                 |                                      |
|-----------------|--------------------------------------|
| Code & Symbol   | <br>OTHER                            |
| Type of Plastic | Please Specify (includes ABS, Nylon) |

- At the end of the product’s lifespan please check with your local council authorised household waste recycling centre for disposal.

Distributed by / Verteilt durch / Distribué par.

UK:

The Enterprise Department Ltd.

11 Bridge Street, Bishops Stortford

Herts, UK, CM23 2JU

Tel: 0330 331 0300

NI/EU:

D.S.B. LD, 160 Bd. de Fourmies, 59100 Roubaix, France

Tel: (+44) 1279 701269

DE/FR/CZ/SK:

hergestellt für 3Pagen

Sankt-Joeris-Strasse 16-28

53477 Alsdorf

Tel: +49(0)2404/980-204

