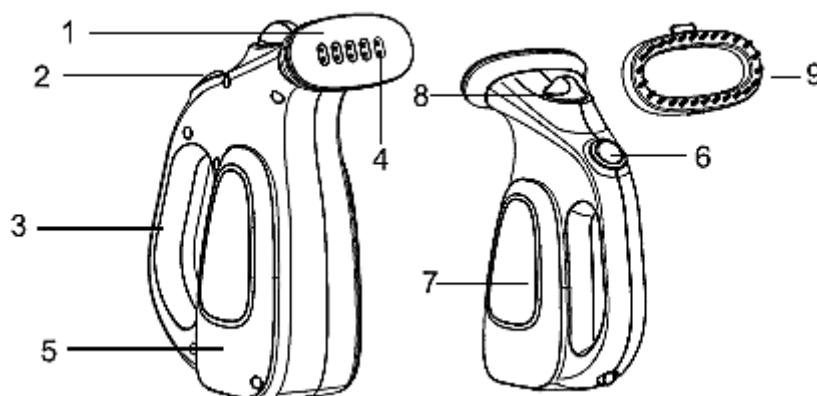
**Technical details**

Voltage:	220-240 a.c.
	50/60hz
Wattage:	600W
Capacity:	120ml

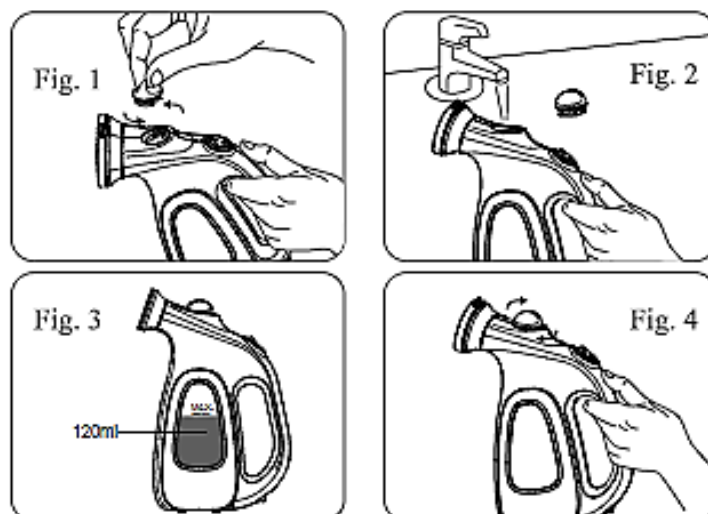
Parts:

1. Nozzle plate
2. Power Indicator light
3. Handle
4. Steam nozzle
5. Housing
6. On/off switch
7. Reservoir window
8. Silicone sealing cap
9. Brush attachment

**Operating Instructions:**

Check the voltage (220-240V) matches your power supply.

1. Unscrew the sealing cap of the reservoir anticlockwise until it can be taken out (Fig. 1).
2. Fill water into the reservoir (Fig. 2).
3. Only fill up with regular water to the desired steaming level and do not exceed MAX line or 120ml(Fig. 3)
4. Screw the sealing cap to the unit clockwise until it is tight. (Fig.4)



Steaming Garment (refer to STEAMING TIPS section)

Caution:

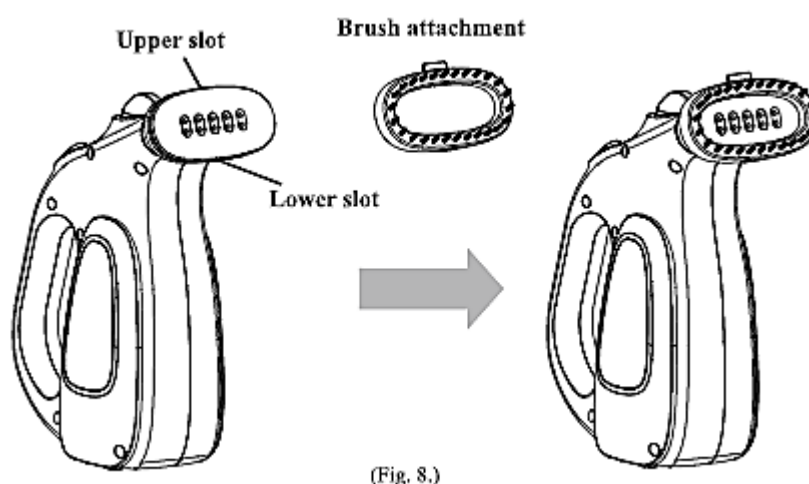
1. Check the voltage at home is matched with the unit at 220-240V.
2. Refill water after the steamer has cooled down for at least 5 minutes.
3. Please make sure the reservoir is drained after finishing steaming every time and then storing it.

Note:

1. Only refill with water, do not add chemicals or detergent to the reservoir.
2. Always ensure that the steam nozzle is pointed at the garment not at a person or a pet.
3. The maximum water level of the reservoir is 120ml.

Brush attachment:

The unit comes with a practical accessory –Brush Attachment to remove dust from suits and overcoats while steaming. Observe the following steps to install the accessory to the steam nozzle.



1. Make sure the unit is turned off and no steam is emitted from the steam nozzle.
2. Line up the fabric brush into upper & lower slots of the steam nozzle plate as shown in (Fig. 8.)
3. Check whether the brush attachment is properly installed before starting.

Caution

Do not install the brush attachment on the nozzle plate while steam is emitting.

Steaming Tips

Make sure the reservoir has been filled already and that the accessory is properly installed before starting to use the steamer.

1. Fill water into the reservoir and then wait for 50s to spray steam.
2. Hang the clothes on a hanger.
3. Direct the steam nozzle towards the garment from the top to bottom part.
4. Repeat the vertical steaming motion back and forth to smooth out wrinkles.
5. **IMPORTANT:** Pull the tails of the clothes slightly tight with your free hand to make the steaming effective.



Caution:

Operate the steamer only in an up or down vertical motion. Never tilt the steamer in a horizontal position or place upside down as this may result in hot water spilling out.

Storage:

- Unplug the power cord.
- Allow the unit to cool completely.
- Empty the reservoir.
- Store the unit in a cool and dry location and away from children's access.

Troubleshooting:

Problem	Possible Cause	Solution
Unit fails to heat up.	<ul style="list-style-type: none"> • Unit is not plugged in • Power switch is not activated. 	<ul style="list-style-type: none"> • Plug into wall outlet with proper voltage. • Switch on to heat up. If it does not work contact Customer Services.
Power light is on, but fails to steam.	<ul style="list-style-type: none"> • The reservoir is empty. • The unit is broken. 	<ul style="list-style-type: none"> • Refill water (refer to Operating Instructions) • Contact Customer Services.
Excessive gurgling of steam nozzle.	<ul style="list-style-type: none"> • Condensation in the nozzle. 	<ul style="list-style-type: none"> • Some gurgling is a natural effect of the steam process.

Important:

- The unit is designed for household use only.

- To maintain its performance, descale the garment steamer. If used regularly every day it is recommended to descale the appliance every 2 weeks.
- Please use a toxic free descaler or detergent such as citric acid, to add citric acid into water at 1:100 proportions, and always operate the appliance about x3 times to remove any scaling, or repeat until water flow is steady.
- After descaling, please pour out all the boiled water in the water tank and add clean water to operate the appliance twice before use.

Important Safeguards:

1. Please check your electricity supply and make sure it is 220-240V before using the garment steamer.
2. Please follow these instructions carefully while using this unit. Other uses not recommended may cause burns or electric shock.
3. This unit is not a toy. Close supervision is required when using the unit near children, pets and plants.
4. Steam produced by the unit is hot. Care must be taken to avoid burns or other injuries. Never point steam nozzle at people or pets.
5. To avoid electrical shock, do not immerse unit, plug or cord in water, or spray with liquids.
6. Do not leave the unit unattended while it is on.
7. Always allow the unit to cool down completely before refilling water, cleaning or storing.
8. Always disconnect the unit from electrical outlet when filling or disposing water as well as when the reservoir is empty or the unit not in use.
9. No detergent or chemicals can be added into the reservoir or it will cause damage. Only water is allowed to be added.
10. To disconnect, grasp the plug and pull it from the wall outlet. Never drag the cord.
11. Steam nozzle and accessory become hot during use. To avoid injuries, do not touch nozzle while using this unit. Do not attempt to remove accessory while unit is emitting steam.
12. After refilling, close the sealing cap and **do not overfill the reservoir above MAX line.**
13. When the water in reservoir has run out, the unit will shut off to protect against overheating.
14. This appliance is not intended for use by persons (including children) with reduced physical, sensory or mental capabilities, or lack of experience and knowledge, unless they have been given supervision or instruction concerning use of the appliances by a person responsible for their safety.
15. While the machine is working, do not let children play with it, in order to avoid any sudden scalding.

Note:

To avoid danger of electric shock, unplug the unit from the outlet when not in use and before cleaning. If the supply cord is damaged, it must be replaced by the manufacturer or its service agent or a similarly qualified person in order to avoid a hazard.

DISPOSAL:

- Dispose of all packaging, paper, cartons and plastic, plastic bags in accordance with your local recycling regulations.
- At the end of the product's lifespan please dispose of it at an authorised household WEEE waste recycling centre.



Head Office, 11 Bridge Street,
Bishop's Stortford CM23 2JU
Tel: 0844 482 4400*
Fax: 01279 756 595
www.coopersofstortford.co.uk

Coopers
OF STORTFORD