



**Technical details:**

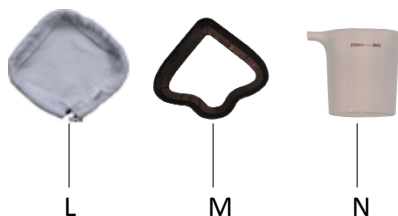
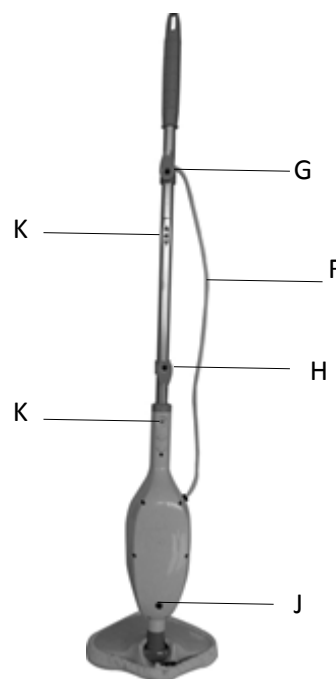
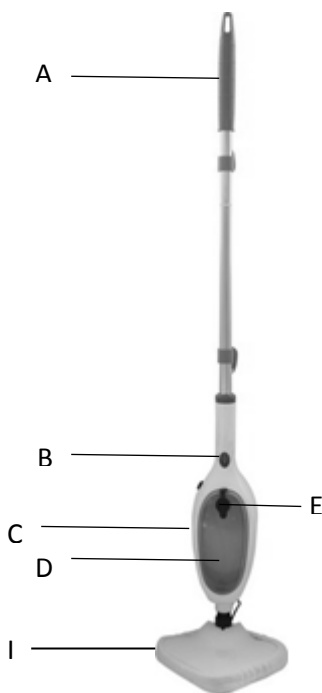
220-240Vac

50Hz

1300W

**Key features of the Steam Mop**

- A. Handle
- B. Power switch with LED ON/OFF light
- C. Main body
- D. Water tank
- E. Water tank cover
- F. Power cable
- G. Upper cable wrap
- H. Lower cable wrap
- I. Mop head
- J. Lock button (on main body)
- K. Handle lock button
- L. Microfibre cloth pad
- M. Carpet glider
- N. Measuring cup



**This appliance must be earthed.**

Head Office, 11 Bridge Street,  
 Bishop's Stortford CM23 2JU  
 Tel: 0844 482 4400\*  
 Fax: 01279 756 595  
[www.coopersofstortford.co.uk](http://www.coopersofstortford.co.uk)

**Coopers**  
 OF STORTFORD

\*Calls cost 7 pence per minute plus your telephone company's network access charge

## INSTRUCTIONS FOR USE

The Steam Mop is designed to thoroughly clean floor surfaces, such as marble, ceramic, stone, linoleum, sealed hardwood floors and parquet flooring.

**WARNING:** On surfaces that have been treated with wax, the wax may be removed by the heat and steam action.



Do not use on unsealed wood floors or let the unit stand on any wooden floor for an extended period of time. This could cause the wood grain to rise.




When using on vinyl, linoleum or any other heat sensitive floors, use extra caution. Too much heat can melt down glue in the flooring. It is therefore recommended that a sample cleaning be carried out on an isolated area of the floor. It is also recommended that you check the use and care instructions of the surface from the floor manufacturer to ensure suitability for steam cleaning.

This Steam Mop uses cold tap water. Residents in areas with hard water should use distilled water for better performance.

Take care when cleaning around objects, pets or plants.

## HOW TO ASSEMBLE AND USE

	<p>1) Attach the mop head to the main body as follows: Insert the swivel joint into the designated hole in the main body until it locks into place with the lock button on the main body (you will hear a clicking sound).</p>
	<p>2) Insert handle downwards into the body until it locks into place with the lock button on the main body (you will hear a clicking sound).</p>

	<p>3) Place the microfiber cloth pad onto the mop head.</p> <p>4) Fasten the microfiber cloth pad by pulling the cable while pressing on toggle.</p>
	<p>5) When using steam mop on carpets, place the mop head (with microfiber cloth) over the carpet glider.</p>
	<p>NOTE: Do not operate without microfiber cloth in place.</p> <p>6) Hold the mop at a 45° angle, open the water tank cover and add the cold water. Do not use hot or boiled water. <b>Never put cleaning detergents into the steam mop. This will make the operation unsafe and damage the unit.</b></p>

7) Once the unit has been fully assembled and filled with water, plug the power cable into an earthed electrical outlet. Power switch(O/I) is in the OFF(O) position, turn the power switch(O/I) to the ON(I) position. The mop will begin emitting steam after approximately 20-35 seconds. To stop emitting steam, turn the power switch(O/I) to the OFF(O) position.

**It is normal that a little water may be ejected from the nozzle before steam starts.**

8) Slowly pass over surface to be cleaned. It is recommended to sweep or vacuum floor prior using the steam mop.

**NOTE:** It is recommended that no other high wattage appliance is operated on the same circuit to avoid a circuit overload.

**CAUTION:** To sanitize an area of your floor, leave the steam mop over the area for a minimum of 8 seconds, but no longer than 15 seconds. Leaving the steam mop in a stationary position for a longer period than recommended may cause a build-up of a pale residue. This residue can be removed by using a decalcifying product or with a few drops of vinegar. (See Troubleshooting Guide)

**WARNING:**

- **NEVER** run the steam mop without water.
- **NEVER** direct steam at any person or animal.
- **ALWAYS** use the steam mop on sealed hard floors.

9) When you have finished cleaning, unplug the power cable from the outlet, empty the water tank, carefully remove the microfibre cloth pad from the head, wind the power cable around the cable wrap and store it upright in a dry area or hang by the storage hook.

**CAUTION:** The microfibre cloth pad may be very hot. Allow to cool before handling.

**CLEANING AND MAINTENANCE:****BE SURE THAT THE UNIT IS DISCONNECTED FROM THE POWER OUTLET WHEN PERFORMING CLEANING**

Drain the remaining water in the tank and clean the tank after every use.

**How to decalcify the water tank interior:**

To clean calcium deposits that build up inside the water tank, add one or two tablespoons of white vinegar to a full water tank, close the water tank cap and shake the contents. **DO NOT TURN THE STEAMER ON.**

Let the unit sit for a few hours. Then, empty the water tank and refill with clean water and empty until it rinses clear.

**DO NOT IMMERGE THE STEAM MOP IN WATER.****Cleaning procedure to remove limescale**

If your steam mop begins to produce steam more slowly than usual or stops producing steam you may need to remove limescale. Limescale can develop over time on the metal parts and greatly affect the mop performance.

It is necessary to remove limescale on a regular basis around every 25-50 uses if you use a full tank of water or at least once a month, especially in areas with hard water.

The frequency of limescale removal depends upon the hardness of your tap water and how often you use the steam mop.

**The steam mop uses tap water. However, in areas with hard water, distilled water should be used for better performance.**

To remove limescale from the steam mop, please follow this procedure:

**Cleaning solution:**

- 1) Prepare a solution of 1/3 white vinegar and 2/3 tap water and add to the water tank.
- 2) Position the unit to ensure any steam released is aimed away from the floor or surrounding objects and surfaces. Plug the unit in and turn ON, by pressing the power switch (O/I) and allow the unit to produce steam until the vinegar/water solution is used up.

- 3) Repeat the above procedure as many times as necessary until a normal steam flow rate is achieved.
- 4) Fill the water tank with fresh water and rinse out.
- 5) Fill the water tank with fresh water, attach to the unit and release steam through the system until the water tank is empty.

**⚠ WARNING**

**Do not leave the steam mop unattended during the limescale removal process and/or while in use.**

**NOTICE**

Perform a test cleaning on a suitable isolated area after each limescale removal to ensure that there is no debris in the system.

**⚠ WARNING**

**DANGER OF SCALDING**

**Microfibre cloth care:**

- Machine wash at 60°C (140°F)
- Do not bleach
- Do not use fabric conditioner

**TROUBLESHOOTING GUIDE**

**TO REDUCE THE RISK OF FIRE, ELECTRIC SHOCK OR INJURY , UNPLUG THE APPLIANCE FROM THE MAINS OUTLET BEFORE SERVICING.**

Problem	Possible cause	Solution
The unit does not power on	The unit is not plugged in or turned ON( ).	Make sure the unit is plugged into a proper outlet and the switch is ON( ).
Reduced steam or no steam	Water tank empty.	Fill water tank.
	Blocked steam nozzle.	Remove mop head and clean the nozzle.
	Limescale deposit.	Follow the cleaning procedure in this User's Guide to remove limescale.
Steam escapes from connections	Attachment is not connected properly.	Turn the unit OFF and allow it to cool down. Disconnect the accessories and re-attach them properly.
	Debris or obstructions at the connection points.	Remove the accessory and check and clean connection points.
The microfibre cloth becomes wet	The microfibre cloth gets saturated with water	Remove the wet microfibre cloth and replace with a new cleaning cloth or allow cloth to cool, then wring out and re-attach.

**WARNINGS AND SAFETY INSTRUCTIONS:**

WHEN USING ELECTRICAL APPLIANCES, BASIC SAFETY PRECAUTIONS SHOULD ALWAYS BE FOLLOWED:

- READ ALL INSTRUCTIONS BEFORE USE.
- FOR DOMESTIC INDOOR USE ONLY.
- DO NOT USE OUTDOORS OR FOR COMMERCIAL USE.
- ALWAYS USE AN EARTHED MAINS SOCKET.
- BEFORE USE, CHECK THOROUGHLY FOR ANY DEFECTS AND DO NOT USE IF DEFECTS ARE FOUND. TAKE CARE NOT TO DROP THE APPLIANCE AS HEAVY IMPACTS MAY CAUSE INTERNAL DAMAGE.
- BEFORE CONNECTING THE APPLIANCE, CHECK IF THE VOLTAGE INDICATED ON THE BOTTOM OF THE APPLIANCE IS IN ACCORDANCE WITH THE MAINS VOLTAGE IN YOUR HOME.
- CHECK THE APPLIANCE AND POWER CABLE CAREFULLY FOR DAMAGE BEFORE EACH USE.
- THIS APPLIANCE CAN BE USED BY CHILDREN AGED FROM 8 YEARS AND ABOVE, AND PERSONS WITH REDUCED PHYSICAL, SENSORY OR MENTAL CAPABILITIES OR LACK OF EXPERIENCE AND KNOWLEDGE IF THEY HAVE BEEN GIVEN SUPERVISION OR INSTRUCTION CONCERNING USE OF THE APPLIANCE IN A SAFE WAY AND UNDERSTAND THE HAZARDS INVOLVED. CHILDREN SHALL NOT PLAY WITH THE APPLIANCE. CLEANING AND USER MAINTENANCE SHALL NOT BE MADE BY CHILDREN WITHOUT SUPERVISION.
- CHILDREN OF LESS THAN 3 YEARS SHOULD BE KEPT AWAY UNLESS CONTINUOUSLY SUPERVISED.
- **SOME PARTS OF THIS PRODUCT CAN BECOME VERY HOT AND CAUSE BURNS. PARTICULAR ATTENTION HAS TO BE GIVEN WHERE CHILDREN AND VULNERABLE PEOPLE ARE PRESENT.**
- THE USE OF ANY ACCESSORY OR ATTACHMENTS NOT RECOMMENDED BY COOPERS OF STORTFORD MAY CAUSE INJURIES AND INVALIDATE ANY WARRANTY YOU MAY HAVE.
- DO NOT COVER THE ITEM IN ANY WAY WHEN IN USE AS THIS MAY CAUSE OVERHEATING.
- DO NOT USE THIS APPLIANCE FOR ANY OTHER USE THAN THE INTENDED USE IT IS DESIGNED FOR.
- TO PROTECT AGAINST ELECTRIC SHOCK, DO NOT IMMERSE POWER CABLE, PLUG OR APPLIANCE, IN WATER OR ANY OTHER LIQUID.
- DO NOT LEAVE THE APPLIANCE UNATTENDED WHILE SWITCHED ON, OR WHILE IT IS CONNECTED TO THE MAINS SUPPLY. TURN OFF THE SWITCH AND UNPLUG THE ELECTRICAL CABLE WHEN NOT IN USE AND BEFORE CLEANING OR SERVICING.
- DO NOT OPERATE ANY APPLIANCE WITH A DAMAGED POWER CABLE OR PLUG OR AFTER THE APPLIANCE MALFUNCTIONS, OR HAS BEEN DAMAGED OR LEAKING IN ANY MANNER. WE RECOMMEND THAT THE POWER CABLE IS NOT KINKED OR STORED IN A TWISTED MANNER, AND THAT YOU REGULARLY CHECK ITS CONDITION.
- DO NOT HANDLE PLUG OR STEAM MOP WITH WET HANDS OR OPERATE WITHOUT SHOES.
- DO NOT INSERT ANY OBJECTS INTO OPENINGS. DO NOT USE WITH ANY OPENING BLOCKED.
- DO NOT USE WITHOUT MICROFIBRE CLOTH IN PLACE. DO NOT USE WITHOUT WATER IN THE WATER TANK.
- WHEN USING ON STAIRS USE EXTRA CAUTION DUE TO TRAILING POWER CABLE TO AVOID TRIPPING.
- KEEP YOUR WORK AREA WELL LIT.
- **NEVER PUT CLEANING DETERGENTS INTO THE STEAM MOP. THIS WILL MAKE THE OPERATION UNSAFE AND DAMAGE THE UNIT.**
- NEVER BLOCK THE STEAM OPENINGS OF THE PRODUCT OR PLACE IT ON A SOFT SURFACE, WHERE THE STEAM OPENINGS MAY BE BLOCKED. KEEP THE STEAM OPENINGS FREE OF LINT, HAIR, AND THE LIKE.
- NEVER DIRECT STEAM TOWARDS PEOPLE, ANIMALS OR PLANTS, OR EQUIPMENT CONTAINING COMPONENTS.
- STORE YOUR STEAM MOP INDOORS IN A COOL, DRY AREA SAFELY AWAY FROM CHILDREN WHEN NOT IN USE.

- ANY REPAIRS MUST BE CONDUCTED BY A QUALIFIED ELECTRICIAN OR ELECTRICAL SERVICE AGENT.

### PLUG WIRING (UK & IRELAND)

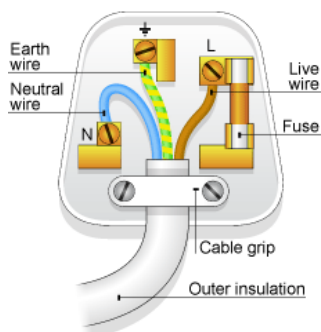
This appliance is fitted with a BS 1363 **13-amp** plug. If you have to replace the fuse, only those that are ASTA or BSI approved to BS1362 and with a rated current of **13-amperes** should be used. If there is a fuse cover fitted, this cover must be re-fitted after changing the fuse. If the fuse cover is lost or damaged the plug must not be used. Spare fuse holders and fuses are available from electrical outlets. If the socket outlets in your home or office are not suitable for this product's plug, the plug must be removed and disposed of safely. Attempts to insert the plug into the wrong socket is likely to cause electric hazard. A replacement plug should be wired according to the following instructions:

### The power cable

A mains electricity power cable contains two or three inner wires. Each has a core of copper and an outer layer of flexible plastic. This product is earthed; the wires in the power cable are colour coded in the following way:

BLUE	NEUTRAL
BROWN	LIVE
GREEN & YELLOW	EARTH

The diagram shows the key features of a correctly wired three-pin mains plug.



**Note:**

Double insulated appliances do not need the green & yellow Earth wire. They may only have the Brown and Blue wires.

### DISPOSAL

- Dispose of all packaging, paper, cartons and plastic and plastic bags in accordance with your local recycling regulations.
- At the end of the product's lifespan please dispose of it at an authorised household WEEE waste recycling centre.

